

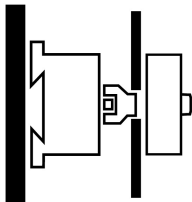
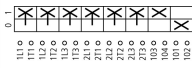
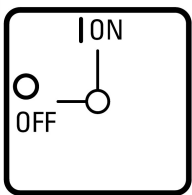


Main switch, T8, 315 A, rear mounting, 3 contact unit(s), 6 pole, 1 N/O, 1 N/C, STOP function, With black rotary handle and locking ring, Lockable in the 0 (Off) position



Part no. T8-3-8342/V/SVB-SW/HI11
Catalog No. 200128

Delivery program

Product range			Main switch maintenance switch Repair switch
Part group reference			T8
Stop Function			STOP function
Number of poles			With black rotary handle and locking ring 6 pole
Auxiliary contacts			
		N/O	1
		N/C	1
Locking facility			Lockable in the 0 (Off) position
Degree of Protection			Front IP65
Design			rear mounting
			
Contact sequence			
Switching angle		°	90
Design number			8342
Function			
Motor rating AC-23A, 50 - 60 Hz			
400 V	P	kW	132
Rated uninterrupted current	I _u	A	315
Note on rated uninterrupted current I _u			Rated uninterrupted current I _u is specified for max. cross-section. Open = 315, enclosed= 275 A
Number of contact units		contact unit(s)	3

Technical data

General			
Standards			IEC/EN 60947, VDE 0660, IEC/EN 60204 Switch-disconnector according to IEC/EN 60947-3
Climatic proofing			Damp heat, constant, to IEC 60068-2-78 Damp heat, cyclic, to IEC 60068-2-30
Ambient temperature			
Open		°C	-25 - +50

Enclosed		°C	-25 - +40
Overtoltage category/pollution degree			III/3
Rated impulse withstand voltage	U_{imp}	V AC	8000
Mounting position			As required

Contacts

Mechanical variables			
Number of poles			6 pole
Auxiliary contacts			
		N/O	1
		N/C	1
Electrical characteristics			
Rated operational voltage	U_e	V AC	690
Rated uninterrupted current	I_u	A	315
Note on rated uninterrupted current I_u			Rated uninterrupted current I_u is specified for max. cross-section. Open = 315, enclosed= 275 A
Load rating with intermittent operation, class 12			
AB 25 % DF		$x I_e$	2
AB 40 % DF		$x I_e$	1.6
AB 60 % DF		$x I_e$	1.3
Short-circuit rating			
Fuse		A gG/gL	315
Rated short-time withstand current (1 s current)	I_{cw}	A_{rms}	4200
Note on rated short-time withstand current I_{cw}			Current for a time of 1 second
Rated conditional short-circuit current	I_q	kA	5

Switching capacity

cos φ rated making capacity as per IEC 60947-3		A	2390
Rated breaking capacity cos φ to IEC 60947-3		A	
230 V		A	1910
400/415 V		A	1800
500 V		A	1200
690 V		A	420
Safe isolation to EN 61140			
between the contacts		V AC	440
Current heat loss per contact at I_e		W	11
Current heat loss per auxiliary circuit at I_e (AC-15/230 V)		CO	0.2
Lifespan, mechanical	Operations	$x 10^6$	> 0.1
Maximum operating frequency	Operations/h		50
AC			
AC-3			
Rating, motor load switch	P	kW	
220 V 230 V	P	kW	37
230 V Star-delta	P	kW	37
400 V 415 V	P	kW	55
400 V Star-delta	P	kW	55
500 V	P	kW	37
500 V Star-delta	P	kW	37
690 V	P	kW	37
690 V Star-delta	P	kW	37
Rated operational current motor load switch			
230 V	I_e	A	126
400V 415 V	I_e	A	105
400 V star-delta	I_e	A	105
500 V	I_e	A	78
500 V star-delta	I_e	A	78
690 V	I_e	A	42

AC-21A			
Rated operational current switch			
440 V	I_e	A	315
AC-23A			
Motor rating AC-23A, 50 - 60 Hz			
230 V	P	kW	75
400 V 415 V	P	kW	132
500 V	P	kW	132
690 V	P	kW	37
Rated operational current motor load switch			
230 V	I_e	A	239
400 V 415 V	I_e	A	245
500 V	I_e	A	184
690 V	I_e	A	42
DC			
DC-1, Load-break switches L/R = 1 ms			
Rated operational current	I_e	A	315
Voltage per contact pair in series		V	42
DC-23A, motor load switch L/R = 15 ms			
24 V			
Rated operational current	I_e	A	250
Contacts		Quantity	1
48 V			
Rated operational current	I_e	A	250
Contacts		Quantity	2
60 V			
Rated operational current	I_e	A	125
Contacts		Quantity	3
120 V			
Rated operational current	I_e	A	50
Contacts		Quantity	3
DC-13, Control switches L/R = 50 ms			
Rated operational current	I_e	A	250
Control circuit reliability at 24 V DC, 10 mA	Fault probability	H_F	$< 10^{-5}$, < 1 failure in 100,000 switching operations

Terminal capacities

Solid or stranded		mm ²	185
Flat conductor connection with busbars		mm ²	1 x (25 x 5) 2 x (20 x 3)
Terminal screw			M12
Tightening torque for terminal screw		Nm	14

Technical safety parameters:

Notes			B10 _q values as per EN ISO 13849-1, table C1
--------------	--	--	---

Rating data for approved types

Terminal capacity			
Terminal screw			M12
Tightening torque		lb-in	125

Design verification as per IEC/EN 61439

Technical data for design verification			
Rated operational current for specified heat dissipation	I_n	A	315
Heat dissipation per pole, current-dependent	P_{vid}	W	11
Equipment heat dissipation, current-dependent	P_{vid}	W	0
Static heat dissipation, non-current-dependent	P_{vs}	W	0
Heat dissipation capacity	P_{diss}	W	0

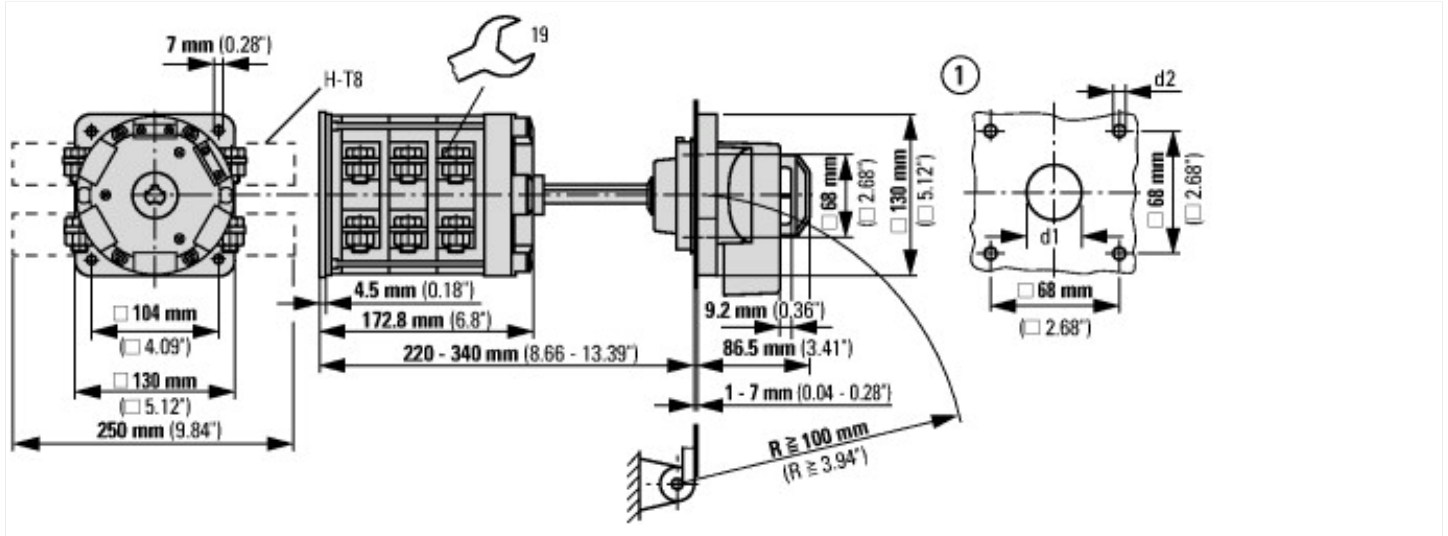
Operating ambient temperature min.	°C	-25
Operating ambient temperature max.	°C	50
IEC/EN 61439 design verification		
10.2 Strength of materials and parts		
10.2.2 Corrosion resistance		Meets the product standard's requirements.
10.2.3.1 Verification of thermal stability of enclosures		Meets the product standard's requirements.
10.2.3.2 Verification of resistance of insulating materials to normal heat		Meets the product standard's requirements.
10.2.3.3 Verification of resistance of insulating materials to abnormal heat and fire due to internal electric effects		Meets the product standard's requirements.
10.2.4 Resistance to ultra-violet (UV) radiation		UV resistance only in connection with protective shield.
10.2.5 Lifting		Does not apply, since the entire switchgear needs to be evaluated.
10.2.6 Mechanical impact		Does not apply, since the entire switchgear needs to be evaluated.
10.2.7 Inscriptions		Meets the product standard's requirements.
10.3 Degree of protection of ASSEMBLIES		Does not apply, since the entire switchgear needs to be evaluated.
10.4 Clearances and creepage distances		Meets the product standard's requirements.
10.5 Protection against electric shock		Does not apply, since the entire switchgear needs to be evaluated.
10.6 Incorporation of switching devices and components		Does not apply, since the entire switchgear needs to be evaluated.
10.7 Internal electrical circuits and connections		Is the panel builder's responsibility.
10.8 Connections for external conductors		Is the panel builder's responsibility.
10.9 Insulation properties		
10.9.2 Power-frequency electric strength		Is the panel builder's responsibility.
10.9.3 Impulse withstand voltage		Is the panel builder's responsibility.
10.9.4 Testing of enclosures made of insulating material		Is the panel builder's responsibility.
10.10 Temperature rise		The panel builder is responsible for the temperature rise calculation. Eaton will provide heat dissipation data for the devices.
10.11 Short-circuit rating		Is the panel builder's responsibility. The specifications for the switchgear must be observed.
10.12 Electromagnetic compatibility		Is the panel builder's responsibility. The specifications for the switchgear must be observed.
10.13 Mechanical function		The device meets the requirements, provided the information in the instruction leaflet (IL) is observed.

Technical data ETIM 7.0

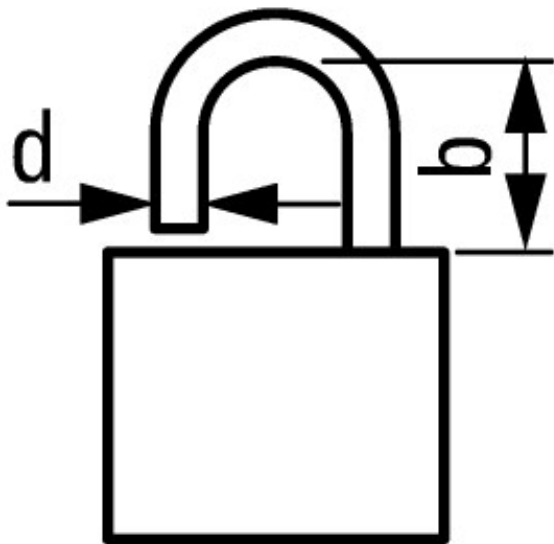
Low-voltage industrial components (EG000017) / Switch disconnecter (EC000216)		
Electric engineering, automation, process control engineering / Low-voltage switch technology / Off-load switch, circuit breaker, control switch / Switch disconnecter (ecl@ss10.0.1-27-37-14-03 [AKF060013])		
Version as main switch		Yes
Version as maintenance-/service switch		Yes
Version as safety switch		No
Version as emergency stop installation		No
Version as reversing switch		No
Number of switches		1
Max. rated operation voltage Ue AC	V	690
Rated operating voltage	V	690 - 690
Rated permanent current Iu	A	315
Rated permanent current at AC-23, 400 V	A	245
Rated permanent current at AC-21, 400 V	A	315
Rated operation power at AC-3, 400 V	kW	55
Rated short-time withstand current Icw	kA	4.2
Rated operation power at AC-23, 400 V	kW	132
Switching power at 400 V	kW	132
Conditioned rated short-circuit current Iq	kA	5
Number of poles		6
Number of auxiliary contacts as normally closed contact		1
Number of auxiliary contacts as normally open contact		1
Number of auxiliary contacts as change-over contact		0
Motor drive optional		No
Motor drive integrated		No

Voltage release optional	No
Device construction	Built-in device fixed built-in technique
Suitable for ground mounting	Yes
Suitable for front mounting 4-hole	No
Suitable for front mounting centre	No
Suitable for distribution board installation	No
Suitable for intermediate mounting	Yes
Colour control element	Black
Type of control element	Door coupling rotary drive
Interlockable	Yes
Type of electrical connection of main circuit	Other
Degree of protection (IP), front side	IP65
Degree of protection (NEMA)	Other

Dimensions



① Drilling dimensions door



$$d = 4 - 8 \text{ mm}$$

$$b + d \leq 47 \text{ mm}$$

$$d = 0.16 - 0.31''$$

$$b + d \leq 1.85''$$

≤ 3 padlocks

Additional product information (links)

IL03801017Z (AWA1150-1606) Rotary switch: Main switch

IL03801017Z (AWA1150-1606) Rotary switch: Main switch ftp://ftp.moeller.net/DOCUMENTATION/AWA_INSTRUCTIONS/IL03801017Z2018_04.pdf

Display flip catalog page. <http://ecat.moeller.net/flip-cat/?edition=K115A&startpage=130>

Technical overview cam switch, switch-disconnector <http://de.ecat.moeller.net/flip-cat/?edition=HPLTEv1&startpage=4.2>

System overview cam switch T <http://de.ecat.moeller.net/flip-cat/?edition=HPLTEv1&startpage=4.4>

System overview switch-disconnector P	http://de.ecat.moeller.net/flip-cat/?edition=HPLTEv1&startpage=4.6
Key to part numbers Cam switch	http://de.ecat.moeller.net/flip-cat/?edition=HPLTEv1&startpage=4.8
Key to part numbers Switch-disconnector	http://de.ecat.moeller.net/flip-cat/?edition=HPLTEv1&startpage=4.8
Switches for ATEX	http://www.coopercrouse-hinds.eu/en/products/25-ex-safety-and-main-current-switches.html