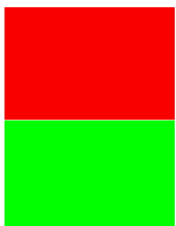
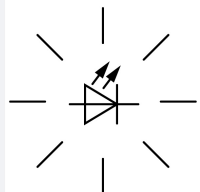




Complete device:red-green; LED;24 V;including base 100mm

Part no. **SL4-100-L-RG-24LED**  
 Catalog No. **171295**  
 Alternate Catalog No. **SL4-100-L-RG-24LED**  
 EL-Nummer (Norway) **4137531**

### Delivery program

Product range			SL signal towers
Basic function			Complete devices
Rated operational voltage	$U_e$	V	24 V AC/DC
Description			Base module with foot and 100 mm tube
Type of light			Continuous light
Light elements			LED
Number of modules			2
<b>Colour</b>			red, green
			
Function			
Connection to SmartWire-DT			no

### Technical data

<b>General</b>			
Standards			IEC/EN 60947-5-1
Climatic proofing			Damp heat, cyclic, to IEC 60068-2-30
Mounting position			As required
Mechanical shock resistance		g	> 15 according to IEC 60068-2-27 Shock duration 11 ms Sinusoidal
IEC degree of protection			IP66 IEC/EN 60529

Protection type UL			Type 4, 4X, 13
Material			Enclosure: Polycarbonate (PC), black Cap: Polycarbonate (PC)
Cap colour			
			red, green
Ambient temperature		°C	-30 - +60
Terminal capacity			
Solid or flexible conductor		mm <sup>2</sup>	0.2 - 1.5
Solid or flexible conductor, with ferrule		mm <sup>2</sup>	0,25 - 1,5
Flexible with ferrule with plastic collar		mm <sup>2</sup>	0.25 - 0.75
			AWG 24 - AWG 16

## Contacts

Rated impulse withstand voltage	U <sub>imp</sub>	V AC	4000
Rated insulation voltage	U <sub>i</sub>	V	250
Overvoltage category/pollution degree			III/3

## modules

Type of light			Continuous light
Light elements			LED
Leakage current		A	< 0.003
			The value specified for the leakage current shall apply per module.
lifespan		h	> 100000
Transmission angle			360°
Current-/power consumption			
at 24 V AC/DC		A	0.022 - 0.033
			The value specified for the current consumption at 24 VAC/DC applies to each module.
Voltage range			24 V AC/DC ± 10 %

## Design verification as per IEC/EN 61439

Technical data for design verification			
Operating ambient temperature min.		°C	-30
Operating ambient temperature max.		°C	60

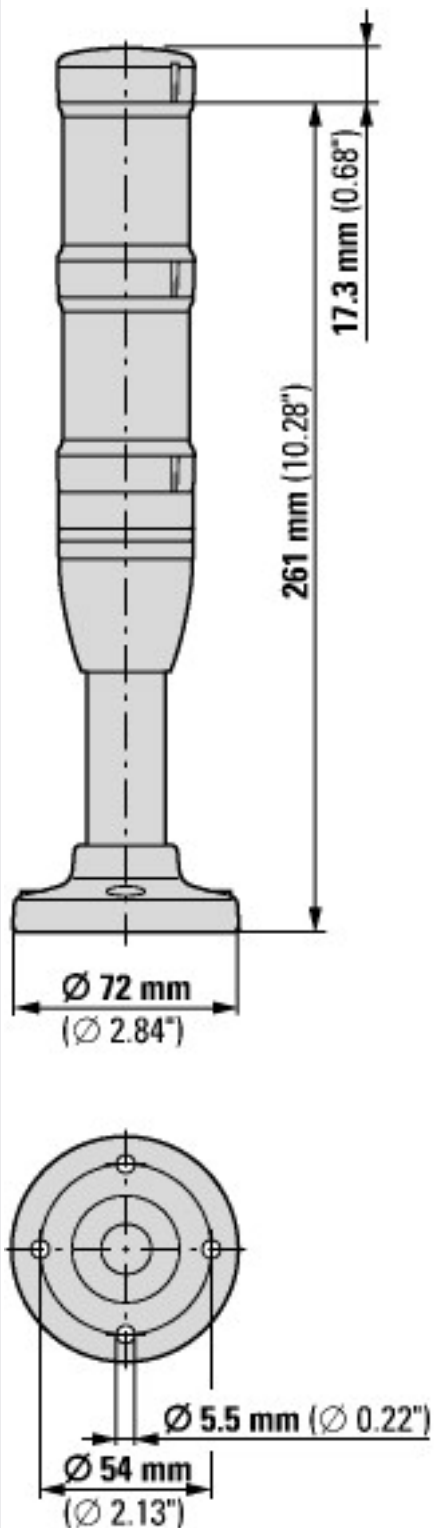
## Technical data ETIM 7.0

Low-voltage industrial components (EG000017) / Signal tower complete (EC001042)			
Electric engineering, automation, process control engineering / Low-voltage switch technology / Command and alarm device / Signal tower complete (ecl@ss10.0.1-27-37-12-30 [AKF048014])			
Number of signal tower elements			2
Function flashlight			No
Function continuous light			Yes
Flashing light			No
Function acoustic			No
Loudness		dB	0
Voltage type for actuating			AC/DC
Rated operating voltage U <sub>e</sub>		V	24 - 24
Outer diameter		mm	43
Degree of protection (IP)			IP66
Degree of protection (NEMA)			4X

## Approvals

Product Standards			IEC/EN 60947-5-1; UL 508; CSA-C22.2 No. 14-10; CSA-C22.2 No. 94-91; CE marking
UL File No.			E29184
UL Category Control No.			NKCR
CSA File No.			UL report applies to both US and Canada
CSA Class No.			NKCR7
North America Certification			UL listed, certified by UL for use in Canada
Degree of Protection			UL Type 4, 4X, 13

## Dimensions



## Additional product information (links)

IL047001ZU SL4 Main Instruction

IL047001ZU SL4 Main Instruction

[https://es-assets.eaton.com/DOCUMENTATION/AWA\\_INSTRUCTIONS/IL047001ZU2018\\_05.pdf](https://es-assets.eaton.com/DOCUMENTATION/AWA_INSTRUCTIONS/IL047001ZU2018_05.pdf)