



Sensor fixing, M12 sensors, inductive

Part no. E57KNZ12
 Catalog No. 136198
 Alternate Catalog No. E57KNZ12

Delivery program

| | | | |
|---------------------|--|--|------------------------|
| Basic function | | | Accessories |
| Accessories | | | Sensor fixing |
| For use with | | | |
| For use with | | | M12 sensors, inductive |

Design verification as per IEC/EN 61439

| | | | |
|--|--|----|-----|
| Technical data for design verification | | | |
| Operating ambient temperature min. | | °C | -25 |
| Operating ambient temperature max. | | °C | 70 |

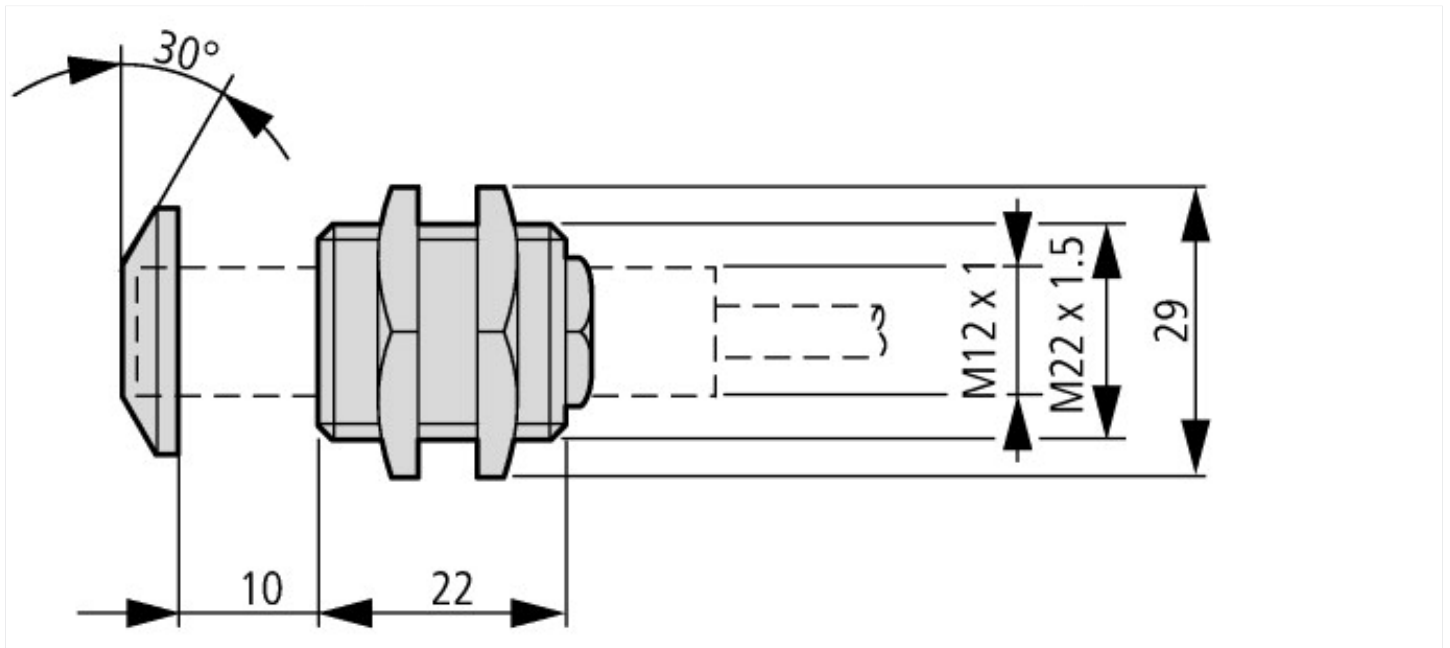
Technical data ETIM 7.0

| | | | |
|--|--|--|-------|
| Sensors (EG000026) / Accessories for position switches (EC002594) | | | |
| Electric engineering, automation, process control engineering / Binary sensor technology, safety-related sensor technology / Position switch / Position switch (accessories) (ecI@ss10.0.1-27-27-06-92 [AFR520003]) | | | |
| Type of accessory | | | Other |

Approvals

| | | | |
|-------------------|--|--|------|
| Product Standards | | | none |
|-------------------|--|--|------|

Dimensions



Assets (links)

Declaration of CE Conformity
 00003158