



Retroreflective sensing sensor, Sn=10m, 4L, 10-30VDC, dark, NPN, PNP, M30, metal, line 2m

**Part no.** E58-30RP10-HD  
**Catalog No.** 135684  
**Alternate Catalog No.** E58-30RP10-HD

### Delivery program

Basic function			Optical sensors
Product range			E58 Harsh Duty Series
For connection of:			2 m connection cable
Design (outer dimensions)		mm	M30 x 1.5
Rated operational voltage	$U_e$		10 - 30 V DC
Rated switching distance	$S_n$	mm	10000
Description			polarized light for combination with reflector
Connection			4-wire
Function			Reflex photoelectric sensor
Type of light			Visible red
Material			Stainless steel
Switching type			NPN PNP
Switching principle			Dark switching

#### Information relevant for export to North America

Product Standards UL 508; CSA-C22.2 No. 14; IEC60947-5-2; CE marking  
 UL File No. E166051  
 UL Category Control No. NRKH, NRKH7  
 CSA File No. UL report applies to both Canada and US  
 CSA Class No. –  
 North America Certification UL listed, certified by UL for use in Canada  
 Max. Voltage Rating 30 V DC  
 Degree of Protection IEC: IP68, IP69K; UL/CSA Type: 1, 2, 3, 3R, 3S, 4, 4x, 6, 6P, 12, 12K, 13

### Technical data

#### General

Standards			IEC/EN 60947-5-2
Ambient temperature			-40 - +55
Mechanical shock resistance		g	100 Shock duration 3 ms
Degree of Protection			IP69

#### Characteristics

Rated switching distance			
Rated switching distance	$S_n$	mm	10000
Range		mm	10
Rated operational voltage	$U_e$		10 - 30 V DC
Maximum load current	$I_e$	mA	< 100
Response time		ms	1.6
Switching state display		LED	Red
Protective functions			Short-circuit protective device Protection against polarity reversal Protection against wire breakage
Connection			4-wire
Style			
Design (outer dimensions)		mm	M30 x 1.5
For connection of:			2 m connection cable

Material		Stainless steel
----------	--	-----------------

## Design verification as per IEC/EN 61439

Technical data for design verification		
Operating ambient temperature min.	°C	-40
Operating ambient temperature max.	°C	55

## Technical data ETIM 7.0

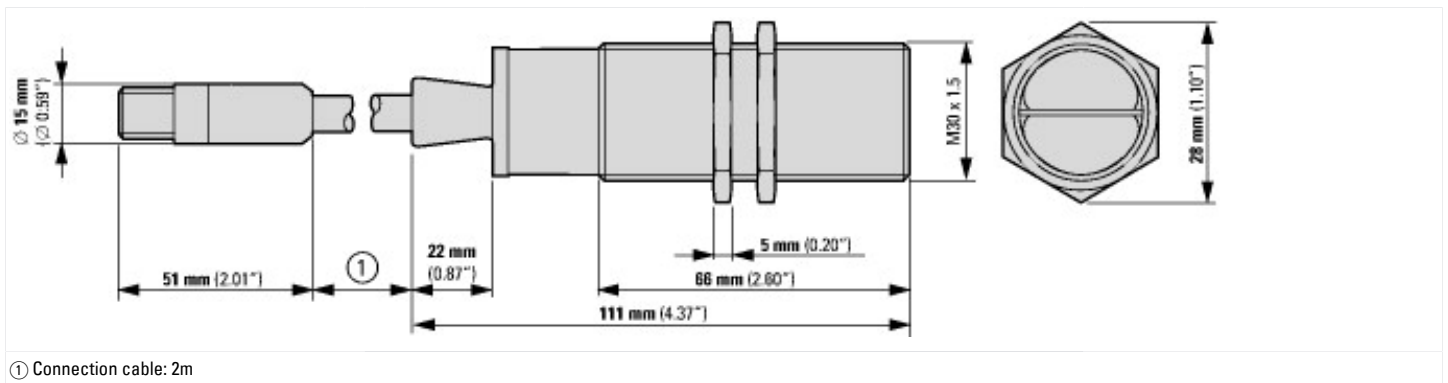
Sensors (EG000026) / Reflection light barrier (EC002717)		
Electric engineering, automation, process control engineering / Binary sensor technology, safety-related sensor technology / Optoelectronic sensor / Reflection light barrier (ecl@ss10.0.1-27-27-09-02 [AKP251013])		
Pre failure notice		No
With time function		No
Rated switching distance	mm	10000
Max. switching distance	mm	0
Max. output current	mA	100
Reflector included		No
Analogue output 0 V ... 10 V		No
Analogue output 0 mA ... 20 mA		No
Analogue output 4 mA ... 20 mA		No
Analogue output -10 V ... +10 V		No
With other analogue output		No
Setting procedure		Other
With communication interface analogue		No
With communication interface AS-Interface		No
With communication interface CANOpen		No
With communication interface DeviceNet		No
With communication interface Ethernet		No
With communication interface INTERBUS		No
With communication interface PROFIBUS		No
With communication interface RS-232		No
With communication interface RS-422		No
With communication interface RS-485		No
With communication interface SSD		No
With communication interface SSI		No
Number of semiconductor outputs with signalling function		2
Number of contact energized outputs with signalling function		0
Number of protected semiconductor outputs		0
Number of protected contact energized outputs		0
Type of interface for safety communication		
Type of electric connection		Cable
Type of switching output		PNP/NPN
Type of switch function		Other
Operation agent-safety class		
Explosion safety category for gas		None
Explosion safety category for dust		None
Construction type housing		Cuboid
Width sensor	mm	0
Diameter sensor	mm	30
Height of sensor	mm	0
Length of sensor	mm	111
Sensing mode		Dark switching
Material of optical surface		Glass
Material housing		Metal
Max. output current at protected output	mA	0
Min. reflector distance	mm	0

Ambient temperature	°C	40 - 55
Time of reaction	ms	0
Transmission range of the safety field	m	0
Switching frequency	Hz	312
Type of safety acc. IEC 61496-1		
"Switching voltage of OSSD at state ""high""	V	30
Rated control supply voltage Us at AC 50HZ	V	0 - 0
Rated control supply voltage Us at AC 60HZ	V	0 - 0
Rated control supply voltage Us at DC	V	10 - 30
Voltage type		DC
With monitoring function downstream switching devices		No
Laser protection class		None
Wavelength of the sensor	nm	0
Type of light		Other
Light dot	mm <sup>2</sup>	0
With restart blockage		No
Suitable for safety functions		No
Degree of protection (IP)		IP67
Degree of protection (NEMA)		4X

## Approvals

Product Standards		UL 508; CSA-C22.2 No. 14; IEC60947-5-2; CE marking
UL File No.		E166051
UL Category Control No.		NRKH, NRKH7
CSA File No.		UL report applies to both Canada and US
CSA Class No.		-
North America Certification		UL listed, certified by UL for use in Canada
Max. Voltage Rating		30 V DC
Degree of Protection		IEC: IP68, IP69K; UL/CSA Type: 1, 2, 3, 3R, 3S, 4, 4x, 6, 6P, 12, 12K, 13

## Dimensions



## Assets (links)

### Declaration of CE Conformity

00002425

### Instruction Leaflets

IL05305003Z2018\_05

## Additional product information (links)

### IL05305003Z E58 Series Harsh Environment Optical Sensors

IL05305003Z E58 Series Harsh Environment Optical Sensors [ftp://ftp.moeller.net/DOCUMENTATION/AWA\\_INSTRUCTIONS/IL05305003Z2018\\_05.pdf](ftp://ftp.moeller.net/DOCUMENTATION/AWA_INSTRUCTIONS/IL05305003Z2018_05.pdf)