



Pressure pipe flange, 1/2 inch, +pressure gauge connection

Part no. M-MCSN
Catalog No. 074286
Alternate Catalog M-MCSN
No.



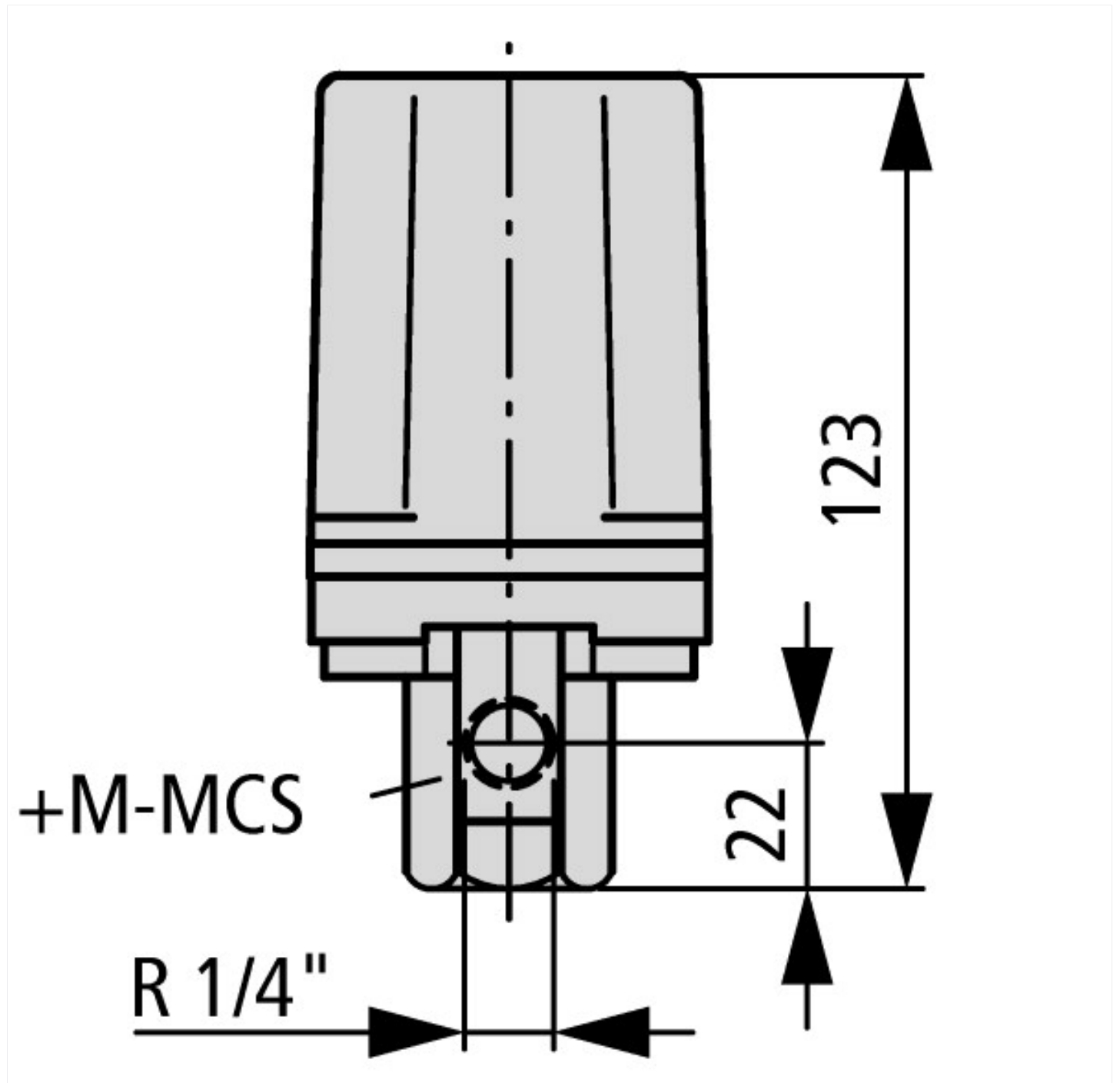
Delivery program

Product range		Accessories
Basic function		Pressure pipe flange with pressure gauge connection
For use with		MCSN(-V)

Technical data ETIM 7.0

Low-voltage industrial components (EG000017) / Accessories for low-voltage switch technology (EC002498)		
Electric engineering, automation, process control engineering / Low-voltage switch technology / Component for low-voltage switching technology / Component for low-voltage switch technology (accessories) (ecl@ss10.0.1-27-37-13-92 [AKN570013])		
Type of accessory		Connection technique

Dimensions



Assets (links)

[Declaration of CE Conformity](#)

00002838