

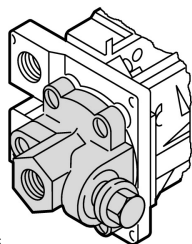


Pressure pipe flange, +pressure gauge connection

Part no. **+M-MCS**  
 Catalog No. **001625**  
 Alternate Catalog No. **-**

### Delivery program

Product range		Accessories
Basic function		Pressure pipe flange with pressure gauge connection
		Article no. for ordering with basic unit
For use with		MCS, MCSN(-V)



**Notes**

Manometer connection R ¼",  
 Pressure pipe flange always R ½" also with MCS  
**Notes** Article no. for ordering with basic unit

### Design verification as per IEC/EN 61439

Technical data for design verification			
Operating ambient temperature min.		°C	-25
Operating ambient temperature max.		°C	70

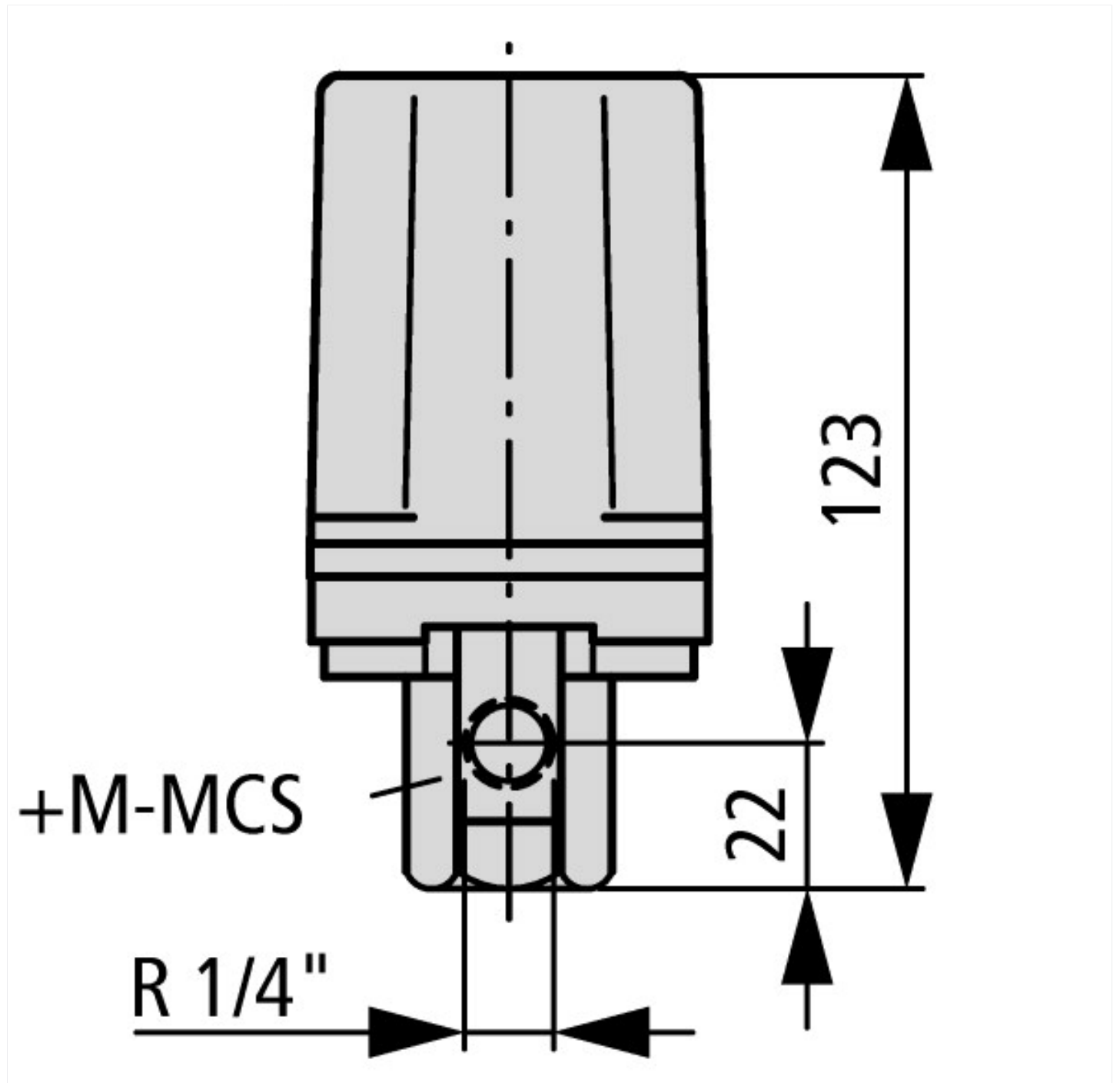
### Technical data ETIM 7.0

Low-voltage industrial components (EG000017) / Accessories for low-voltage switch technology (EC002498)	
Electric engineering, automation, process control engineering / Low-voltage switch technology / Component for low-voltage switching technology / Component for low-voltage switch technology (accessories) (ecl@ss10.0.1-27-37-13-92 [AKN570013])	
Type of accessory	Connection technique

### Approvals

Product Standards	CSA-CC22.2 No. 14
CSA File No.	12528
CSA Class No.	3211-06
North America Certification	CSA certified

## Dimensions



## Assets (links)

### Declaration of CE Conformity

00002838

### Instruction Leaflets

IL05212001Z2018\_05

## Additional product information (links)

### IL05212001Z (AWA1320-0132) Pressure switch

IL05212001Z (AWA1320-0132) Pressure switch [ftp://ftp.moeller.net/DOCUMENTATION/AWA\\_INSTRUCTIONS/IL05212001Z2018\\_05.pdf](ftp://ftp.moeller.net/DOCUMENTATION/AWA_INSTRUCTIONS/IL05212001Z2018_05.pdf)