



Variable Frequency Drive, 3~3~ 400 V, 9.5 A, 4 kW, Vector control, EMC-Filter, Brake-Chopper

Part no. DA1-349D5FB-A20N
Article no. 169200
Catalog No. DA1-349D5FB-A20N

Delivery programme

Product range			Variable frequency drives
Rated operational voltage	U_e		400 V AC, 3-phase
Output voltage with V_e	U_2		400 V AC, 3-phase
Mains voltage (50/60Hz)	U_{LN}	V	380 (-10%) - 480 (+10%)
Rated operational current			
At 150% overload	I_e	A	9.5
Note			Rated operational current at an operating frequency of 4 kHz and an ambient air temperature of +50 °C
Note			Overload cycle for 60 s every 600 s
Assigned motor rating			
Note			for normal internally and externally ventilated 4 pole, three-phase asynchronous motors with 1500 rpm^{-1} at 50 Hz or 1800 min^{-1} at 60 Hz
Note			Overload cycle for 60 s every 600 s
Note			at 400 V, 50 Hz
150 % Overload	P	kW	4
150 % Overload	I_e	A	8.5
Note			at 440 - 480 V, 60 Hz
150 % Overload	P	HP	5
150 % Overload	I_e	A	7.6
Degree of Protection			IP20/NEMA 0
Interface/field bus (built-in)			OP-Bus (RS485)/Modbus RTU, CANopen®
Fieldbus connection (optional)			Ethernet IP DeviceNet PROFIBUS PROFINET Modbus-TCP EtherCAT BACnet/IP SmartWire-DT
Fitted with			Radio interference suppression filter Brake chopper 7-digital display assembly
Frame size			FS2
Connection to SmartWire-DT			with SmartWire-DT module DX-NET-SWD1

Technical data

General

Standards			Specification for general requirements: IEC/EN 61800-2 EMC requirements: IEC/EN 61800-3 Safety requirements: IEC/EN 61800-5-1
Certifications			CE, cUL, UL, c-Tick, Ukr Sepro, EAC
Production quality			RoHS, ISO 9001
Climatic proofing	ρ_w	%	< 95%, average relative humidity (RH), non-condensing, non-corrosive (EN 50178)
Ambient temperature		°C	
operation (150 % overload)	θ	°C	-10 - +50
Storage	θ	°C	-40 - +60
Radio interference level			
Radio interference class (EMC)			C1, C2, C3, depending on the motor cable length, the connected load, and ambient conditions. External radio interference suppression filters (optional) may be necessary.
Environment (EMC)			1st and 2nd environments
maximum motor cable length	l	m	$C1 \leq 1 \text{ m}$

			C2 ≤ 5 m C3 ≤ 25 m
Mounting position			Vertical
Altitude		m	0 - 1000 m above sea level above 1000 m with 1 % performance reduction per 100 m max. 4000 m
Degree of Protection			IP20/NEMA 0
Protection against direct contact			BGV A3 (VBG4, finger- and back-of-hand proof)

Main circuit

Supply			
Rated operational voltage	U_e		400 V AC, 3-phase
Mains voltage (50/60Hz)	U_{LN}	V	380 (-10%) - 480 (+10%)
Input current (150% overload)	I_{LN}	A	9.8
System configuration			AC supply systems with earthed center point
Supply frequency	f_{LN}	Hz	50/60
Frequency range	f_{LN}	Hz	48 - 62
Mains switch-on frequency			Maximum of one time every 30 seconds
Power section			
Function			Frequency inverter with internal DC link and IGBT inverter
Overload current (150% overload)	I_L	A	14.25
max. starting current (High Overload)	I_H	%	200
Note about max. starting current			for 4 seconds
Output voltage with V_e	U_2		400 V AC, 3-phase
Output Frequency	f_2	Hz	0 - 50/60 (max. 500)
Switching frequency	f_{PWM}	kHz	8 adjustable 4 - 32 (audible)
Operation Mode			U/f control Speed control with slip compensation sensorless vector control (SLV) optional: Vector control with feedback (CLV)
Frequency resolution (setpoint value)	Δf	Hz	0.1
Rated operational current			
At 150% overload	I_e	A	9.5
Note			Rated operational current at an operating frequency of 4 kHz and an ambient air temperature of +50 °C
Power loss			
Heat dissipation at rated operational current	P_V	W	136
Efficiency	η	%	96.6
Maximum leakage current to ground (PE) without motor	I_{PE}	mA	4.65
Fitted with			Radio interference suppression filter Brake chopper 7-digital display assembly
Safety function			STO (Safe Torque Off)
Frame size			FS2
Motor feeder			
Note			for normal internally and externally ventilated 4 pole, three-phase asynchronous motors with 1500 rpm^{-1} at 50 Hz or 1800 min^{-1} at 60 Hz
Note			Overload cycle for 60 s every 600 s
Note			at 400 V, 50 Hz
150 % Overload	P	kW	4
Note			at 440 - 480 V, 60 Hz
150 % Overload	P	HP	5
maximum permissible cable length	l	m	screened: 100 screened, with motor choke: 200 unscreened: 150 unscreened, with motor choke: 300
Apparent power			
Apparent power at rated operation 400 V	S	kVA	6.58
Apparent power at rated operation 480 V	S	kVA	7.9
Braking function			

Standard braking torque			max. 30 % M_N
DC braking torque			100 %, adjustable
Braking torque with external braking resistance			max. 100% rated operational current I_B , with external braking resistance
minimum external braking resistance	R_{min}	Ω	100
Switch-on threshold for the braking transistor	U_{DC}	V	780 V DC

Control section

External control voltage	U_c	V	24 V DC (max. 100 mA)
Reference voltage	U_s	V	10 V DC (max. 10 mA)
Analog inputs			2, parameterizable, 0 - 10 V DC, 0/4 - 20 mA
Analog outputs			2, parameterizable, 0 - 10 V, 0/4 - 20 mA
Digital inputs			3, parameterizable, max. 30 VDC, max. 5 for non-parameterized analog inputs
Digital outputs			2, parameterizable, 24 V DC
Relay outputs			2, parameterizable, 1 N/O and 1 changeover contact, 6 A (250 V, AC-1) / 5 A (30 V, DC-1)
Interface/field bus (built-in)			OP-Bus (RS485)/Modbus RTU, CANopen®

Assigned switching and protective elements

Power Wiring			
IEC (Typ B, gG)			FAZ-B16/3
UL (Class CC or J)		A	16
150 % overload (CT/ I_H , at 50 °C)			DX-LN3-010
Motor feeder			
150 % overload (CT/ I_H , at 50 °C)			DX-LM3-011
150 % overload (CT/ I_H , at 50 °C)			DX-SIN3-010
10 % duty factor (DF)			DX-BR100-0K8
20 % duty factor (DF)			DX-BR100-1K4

Design verification as per IEC/EN 61439

Technical data for design verification			
Rated operational current for specified heat dissipation	I_n	A	9.5
Equipment heat dissipation, current-dependent	P_{vid}	W	136
IEC/EN 61439 design verification			
10.2 Strength of materials and parts			
10.2.2 Corrosion resistance			Meets the product standard's requirements.
10.2.3.1 Verification of thermal stability of enclosures			Meets the product standard's requirements.
10.2.3.2 Verification of resistance of insulating materials to normal heat			Meets the product standard's requirements.
10.2.3.3 Verification of resistance of insulating materials to abnormal heat and fire due to internal electric effects			Meets the product standard's requirements.
10.2.4 Resistance to ultra-violet (UV) radiation			Meets the product standard's requirements.
10.2.5 Lifting			Does not apply, since the entire switchgear needs to be evaluated.
10.2.6 Mechanical impact			Does not apply, since the entire switchgear needs to be evaluated.
10.2.7 Inscriptions			Meets the product standard's requirements.
10.3 Degree of protection of ASSEMBLIES			Does not apply, since the entire switchgear needs to be evaluated.
10.4 Clearances and creepage distances			Meets the product standard's requirements.
10.5 Protection against electric shock			Does not apply, since the entire switchgear needs to be evaluated.
10.6 Incorporation of switching devices and components			Does not apply, since the entire switchgear needs to be evaluated.
10.7 Internal electrical circuits and connections			Is the panel builder's responsibility.
10.8 Connections for external conductors			Is the panel builder's responsibility.
10.9 Insulation properties			
10.9.2 Power-frequency electric strength			Is the panel builder's responsibility.
10.9.3 Impulse withstand voltage			Is the panel builder's responsibility.
10.9.4 Testing of enclosures made of insulating material			Is the panel builder's responsibility.
10.10 Temperature rise			The panel builder is responsible for the temperature rise calculation. Eaton will provide heat dissipation data for the devices.
10.11 Short-circuit rating			Is the panel builder's responsibility. The specifications for the switchgear must be observed.
10.12 Electromagnetic compatibility			Is the panel builder's responsibility. The specifications for the switchgear must be observed.

Technical data ETIM 5.0

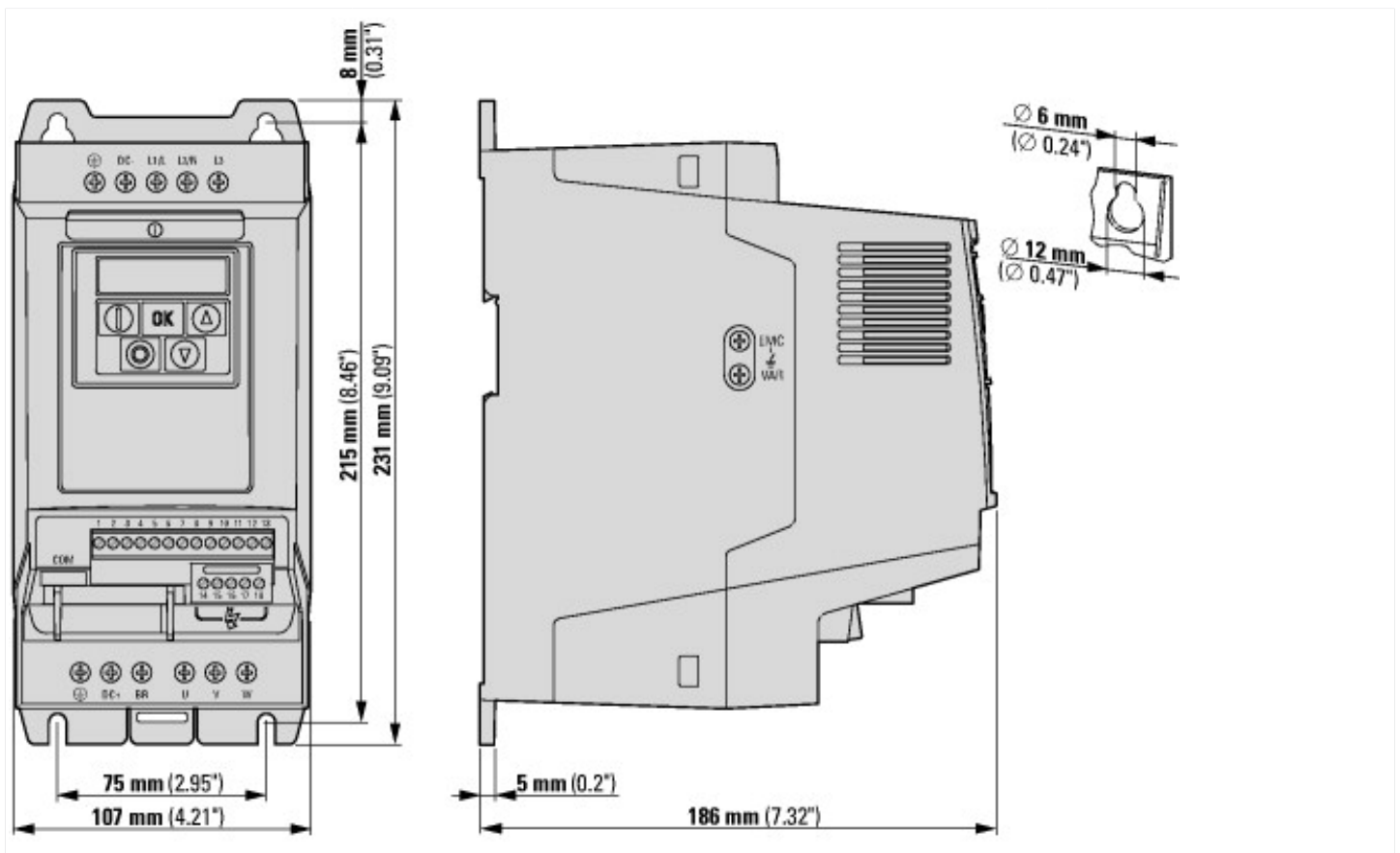
Low-voltage industrial components (EG000017) / Frequency controller =< 1 kV (EC001857)		
Electric engineering, automation, process control engineering / Electrical drive / Static frequency converter / Static frequency converter = < 1 kv (ecI@ss8-27-02-31-01 [AKE177010])		
Mains voltage	V	380 - 480
Mains frequency		50/60 Hz
Number of phases input		3
Number of phases output		3
Max. output frequency	Hz	500
Rated output voltage	V	400
Measuring output current	A	9.5
Output power at rated output voltage	kW	4
Max. output at quadratic load at rated output voltage	kW	4
Max. output at linear load at rated output voltage	kW	4
With control unit		Yes
Application in industrial area permitted		Yes
Application in domestic- and commercial area permitted		Yes
Supporting protocol for TCP/IP		No
Supporting protocol for PROFIBUS		Yes
Supporting protocol for CAN		Yes
Supporting protocol for INTERBUS		No
Supporting protocol for ASI		No
Supporting protocol for KNX		No
Supporting protocol for MODBUS		Yes
Supporting protocol for Data-Highway		No
Supporting protocol for DeviceNet		No
Supporting protocol for SUCONET		No
Supporting protocol for LON		No
Supporting protocol for PROFINET IO		Yes
Supporting protocol for PROFINET CBA		No
Supporting protocol for SERCOS		No
Supporting protocol for Foundation Fieldbus		No
Supporting protocol for EtherNet/IP		Yes
Supporting protocol for AS-Interface Safety at Work		No
Supporting protocol for DeviceNet Safety		No
Supporting protocol for INTERBUS-Safety		No
Supporting protocol for PROFIsafe		No
Supporting protocol for SafetyBUS p		No
Supporting protocol for other bus systems		No
Number of HW-interfaces industrial Ethernet		0
Number of HW-interfaces PROFINET		0
Number of HW-interfaces RS-232		0
Number of HW-interfaces RS-422		0
Number of HW-interfaces RS-485		1
Number of HW-interfaces serial TTY		0
Number of HW-interfaces USB		1
Number of HW-interfaces parallel		0
Number of HW-interfaces other		0
With optical interface		No
With PC connection		Yes
Integrated braking resistance		Yes
4-quadrant operation possible		No
Type of converter		U converter
Degree of protection (IP)		IP20

Height	mm	231
Width	mm	107
Depth	mm	186
Relative symmetric net frequency tolerance	%	5
Relative symmetric net current tolerance	%	10

Approvals

Product Standards		UL 508C; CSA-C22.2 No. 14; IEC/EN61800-3; IEC/EN61800-5; CE marking
UL File No.		E172143
UL Category Control No.		NMMS, NMMS7
CSA File No.		UL report applies to both US and Canada
North America Certification		UL listed, certified by UL for use in Canada
Specially designed for North America		No
Suitable for		Branch circuits
Max. Voltage Rating		3~ 480 V AC IEC: TN-S UL/CSA: "Y" (Solidly Grounded Wey)
Degree of Protection		IEC: IP20

Dimensions



Additional product information (links)

IL04020010Z DA1 variable frequency drives (FS2 - FS3, IP20)

[IL04020010Z DA1 variable frequency drives \(FS2 - FS3, IP20\)](#)

MN04020005Z DA1 variable frequency drive, manual

[MN04020005Z Frequenzumrichter DA1, Handbuch - Deutsch](#)

[MN04020005Z DA1 variable frequency drive, manual - English](#)

CA04020001Z_EN-INT Product range catalog: Efficient Engineering for starting and controlling motors.

http://www.eaton.eu/ecm/groups/public/@pub/@europe/@electrical/documents/content/pct_1095238.pdf