

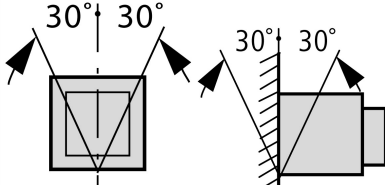
Part no. IN32B3-16W
Catalog No. 123644

Delivery program

| | | | |
|--|-------------|----|---|
| Product range | | | Air circuit-breakers/switch-disconnectors |
| Product range | | | Open switch-disconnectors |
| Current Range | | | 4000 to 6300 A |
| Protective function | | | without protection |
| Installation type | | | Withdrawable |
| Construction size | | | IN32 |
| Standard/Approval | | | IEC |
| Number of poles | | | 3 pole |
| Degree of Protection | | | IP20, IP55 with protective cover |
| Rated current = rated uninterrupted current | $I_n = I_u$ | A | 1600 |
| up to 440 V 50/60 Hz | I_{cm} | kA | 55 |
| t = 1 s | I_{cw} | kA | 65 |
| Notes | | | |
| Including rear connection main terminals and secondary terminal blocks according to ordered breaker options. | | | |
| Note concerning the product | | | |
| Cassette needs to be ordered separately. | | | |

Technical data

General

| | | | |
|------------------------------|---|----|--|
| Standards | | | IEC/EN 60947 |
| Ambient temperature | | | |
| Storage | θ | °C | -40 - +70 |
| Operating (open) | | °C | -25 - +70 |
| Mounting position | | |  |
| Utilization category | | | B |
| Degree of Protection | | | IP20, IP55 with protective cover |
| Direction of incoming supply | | | as required |

Main conducting paths

| | | | |
|---|-------------|------|-------|
| Rated current = rated uninterrupted current | $I_n = I_u$ | A | 1600 |
| Rated uninterrupted current at 50 °C | I_u | A | 1600 |
| Rated uninterrupted current at 60 °C | I_u | A | 1600 |
| Rated uninterrupted current at 70 °C | I_u | A | 1600 |
| Rated impulse withstand voltage | U_{imp} | V AC | 8000 |
| Rated operational voltage | U_e | V AC | 690 |
| Use in IT electrical power networks up to U = 440 V | I_{IT} | kA | 23 |
| Overvoltage category/pollution degree | | | III/3 |
| Rated insulation voltage | U_i | V | 1000 |

Switching capacity

| | | | |
|-------------------------------------|----------|----|-----|
| Rated short-circuit making capacity | I_{cm} | | |
| up to 440 V 50/60 Hz | I_{cm} | kA | 55 |
| up to 690 V 50/60 Hz | I_{cm} | kA | 143 |
| Operating times | | | |

| | | |
|--|--------------|-------|
| Closing delay via spring release | ms | 35 |
| Break times | ms | 40 |
| Total opening delay via shunt release | ms | 30 |
| Total opening delay via undervoltage release | ms | 35/70 |
| Maximum operating frequency | Ops./h | |
| Maximum operating frequency | Operations/h | 60 |
| Heat dissipation at rated current I_n | | |
| Fixed mounting | W | 150 |
| Withdrawable units (switch with cassette) | W | 330 |

Weight

| | | |
|----------------|----|----|
| Fixed mounting | | |
| 3-pole | kg | 58 |
| 4-pole | kg | 72 |
| Withdrawable | | |
| 3-pole | kg | 70 |
| 4-pole | kg | 88 |
| Cassette | | |
| 3 pole | kg | 34 |
| 4 pole | kg | 38 |

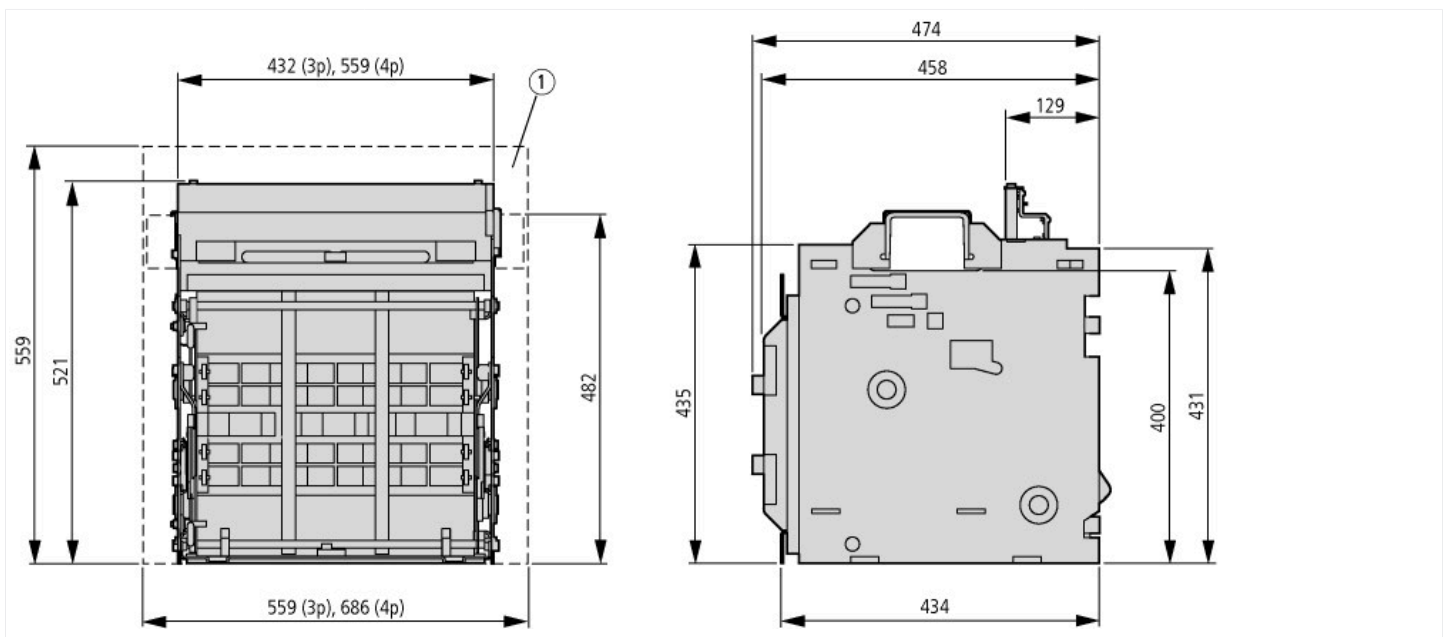
Terminal capacities

| | | |
|--------------------|----|---|
| Copper bar | | |
| Fixed mounting | | |
| Black | mm | 2 x 5 x 100 |
| Withdrawable units | | |
| Black | mm | 2 x 5 x 100 |
| | | Permissible continuous current for circuit-breakers operating in switchboards at various internal ambient temperatures. The switchboard's internal ambient temperature should be estimated using the calculation methods of IEC regulation. |

Design verification as per IEC/EN 61439

| | | |
|--|----|-----|
| Technical data for design verification | | |
| Operating ambient temperature min. | °C | -25 |
| Operating ambient temperature max. | °C | 70 |

Dimensions



① Recommended minimum enclosure size (not shown to scale)