



Door coupl.handle f. MCC-V. 90°



Powering Business Worldwide™

Part no. PKZ2-XH-MCC

Article no. 106130

Protection type IP65 / UL/CSA Type 4X/Type 12

Delivery programme

Product range			Accessories: PKZ2 System - PRODUCT DISCONTINUATION IN 2012
Accessories			Door coupling handle
			For use in MCC distribution boards with PKZ2 turned through 90°. For use as main switch according to EN 60204
Protection type			IP65
Colour			
			Black
Notes			
Lockable in 0 or I position			
Suitable for 3 padlocks with 4 - 8 mm hasp thickness			

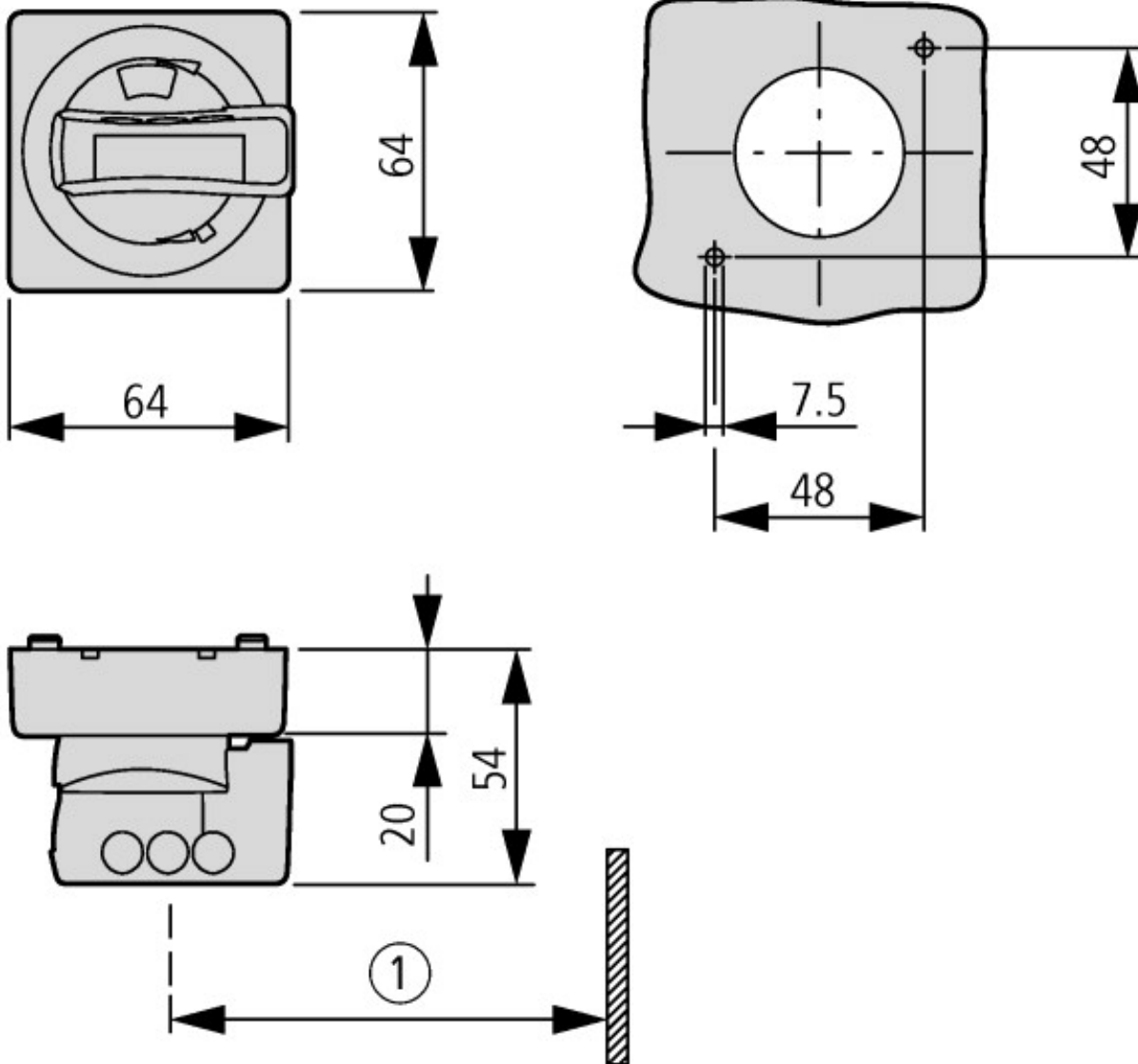
Approvals

Product Standards	UL 508; CSA-C22.2 No. 14; IEC60947-4-1; CE marking
UL File No.	E36332
UL CCN	NLRV
CSA File No.	12528
CSA Class No.	3211-05
NA Certification	UL listed, CSA certified
Specially designed for NA	No

Technical data ETIM 4.0

Suitable for switch-disconnector			No
Suitable for circuit-breakers			YES
With shaft			No
Suitable for emergency switching off			No
Lockable			YES
Color			black

Dimensions



Mounting depth: 100 to 240 mm from the top edge of the top-hat rail to the front edge of the cabinet door/cover
 Distance between circuit breaker axis/cover hinge: at least 100 mm

① At least 100 mm from cover hinge

Additional product information (links)

AWA1280-2368 Door coupling handle

AWA1280-2368 Door coupling handle

Motor starters and "Special Purpose Ratings" for the North American market

http://www.moeller.net/binary/ver_techpapers/ver953en.pdf

Busbar Component Adapters for modern Industrial control panels

http://www.moeller.net/binary/ver_techpapers/ver960en.pdf