

ACCESS. CI-PKZ2



Powering Business Worldwide™

Part no. CI23EB-PKZ2

Article no. 090309

for 3 pole compact starter, high-capacity compact starter, combination circuit-breakers

Delivery programme

Product range		Accessories: PKZ2 System - PRODUCT DISCONTINUATION IN 2012
Subrange		Surface mounting enclosures
Accessories		Insulated enclosures for PKZ
Protection type		Degree of protection IP54 prepared for mounting of a (R)H-PKZ2 rotary handle
For use with		IP54
For use with		PKZ2/ZM-.../S + NHI + AGM + U or A + (R)H
Notes		
Complete with L3/5-CI23 mounting plate		
Will accept compact starter or PKZ2/ZM-.../S high-capacity compact starter without clip plate		

Approvals

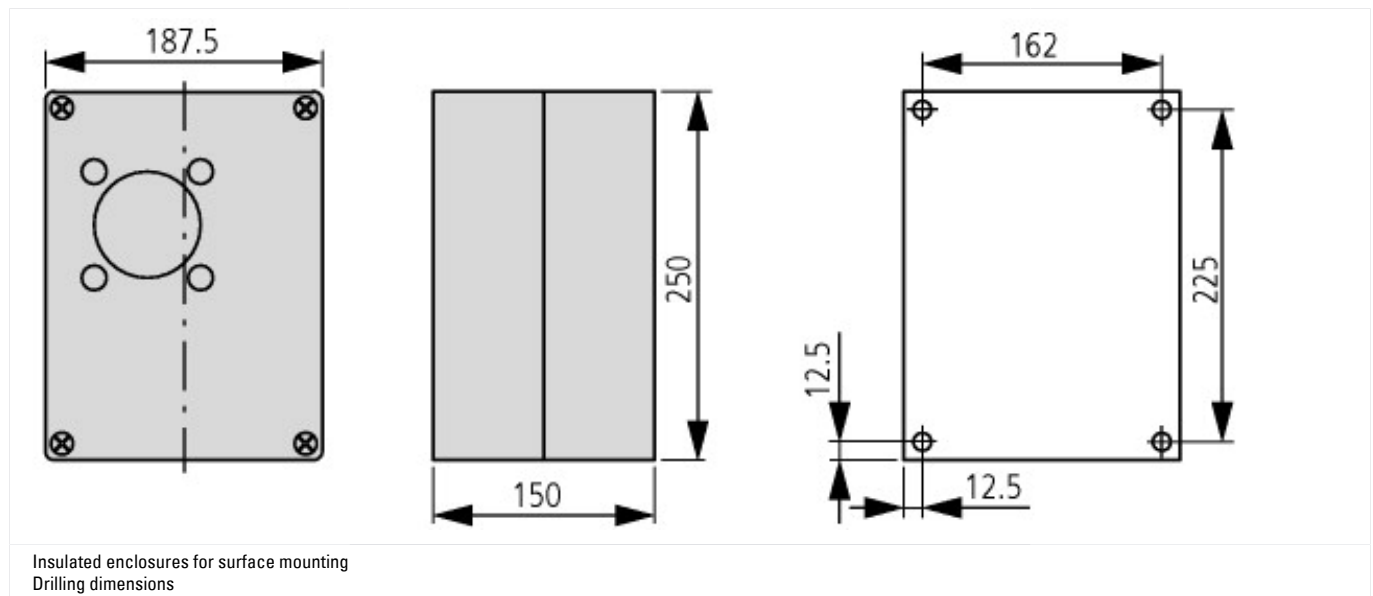
Specially designed for NA

No

Technical data ETIM 4.0

Width		mm	187.5
Design			surface mounting
Height		mm	250
Depth		mm	130.5
With transparent cover			No
Suitable for emergency stop			No
Housing material			Insulated material
Degree of protection (IP)			IP54

Dimensions



Additional product information (links)

Motor starters and "Special Purpose Ratings" for the North American market

http://www.moeller.net/binary/ver_techpapers/ver953en.pdf

