

Type: **NHI2-11S-PKZ0**

Article No.: **072897**

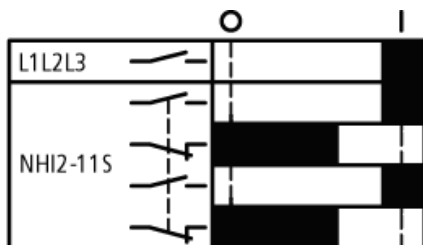
Sales text **AUXILIARY SWITCH NHI-PKZ0**



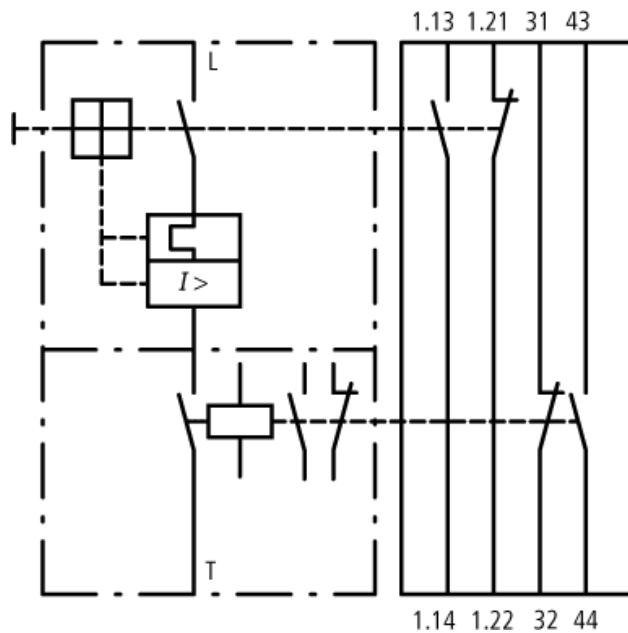
Ordering information

| | | | |
|-----------------------|--|--|-----------------|
| Contacts | | | |
| N/O = Normally open | | | 2 × 1 N/O |
| N/C = Normally closed | | | 2 × 1 N/C |
| Connection technique | | | Screw terminals |
| For use with | | | PKZM0/S(E) |

Contact diagram



Contact sequence



Note concerning the product

Can be fitted to the right of:

(High-capacity) compact starters

Can be combined with: NHI-E-...

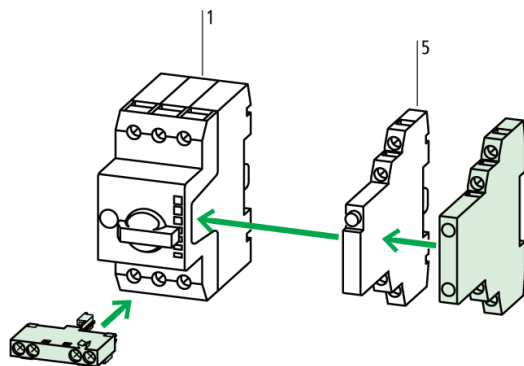
Cannot be combined with:

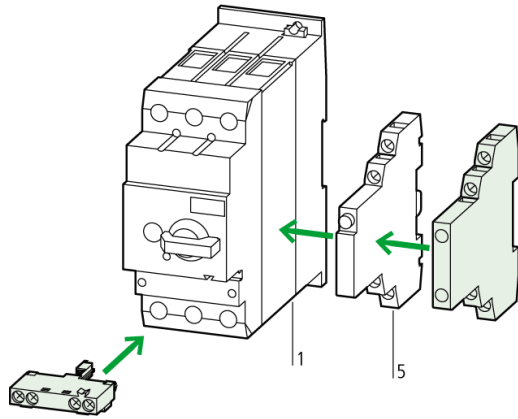
NHI...-PKZ0 standard auxiliary contact

AGM2...PKZ0 trip-indicating auxiliary contact

Differential status indication of the main contacts of motor-protective circuit-breaker and (high-capacity) contact module

Notes concerning the product group





Accessories

1 Motor-protective circuit-breakers → [072730](#)

5 Trip-indicating auxiliary contact → [072898](#)

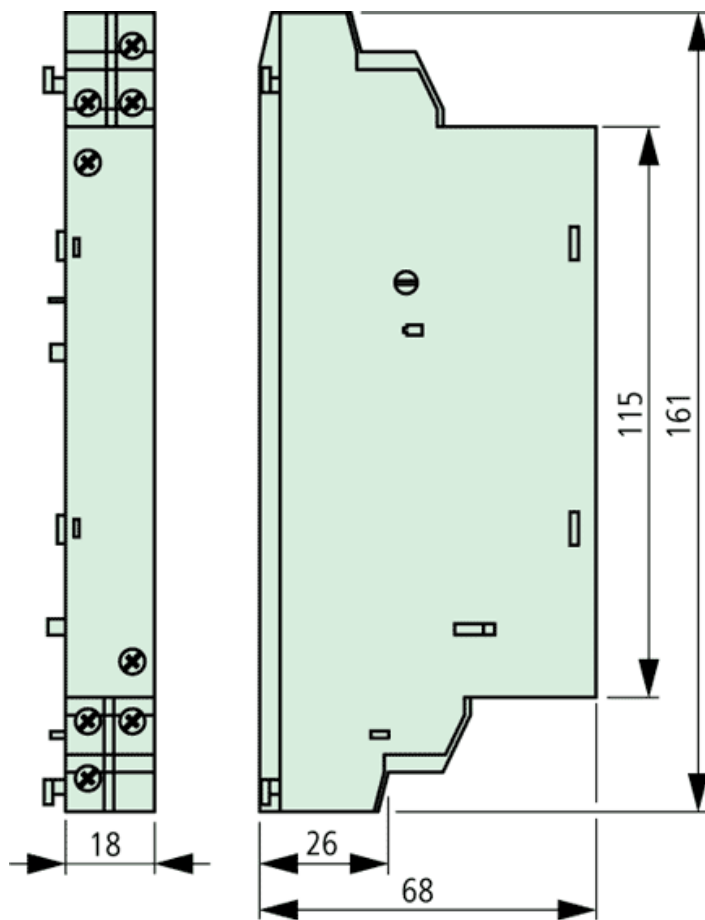
Additional accessories → [106132](#)

Auxiliary contacts

| | | | |
|---|--------------|---------------|-------|
| Rated impulse withstand voltage | U_{imp} | V AC | 6000 |
| Overtoltage category/pollution degree | | | III/3 |
| Rated operational voltage | | | |
| Rated operational voltage | U_e | V AC | 500 |
| | U_e | V DC | 250 |
| Safe isolation to VDE 0106 Part 101 and Part 101/A1 | | | |
| Between auxiliary contacts and main contacts | | V AC | 690 |
| Rated operational current | | | |
| AC-15 | | | |
| 220 – 240 V | I_e | A | 3,5 |
| 380 – 415 V | I_e | A | 2 |
| 440 – 500 V | I_e | A | 1 |
| DC-13 L/R – 100 ms | | | |
| 24 V | I_e | A | 2 |
| 60 V | I_e | A | 1,5 |
| 110 V | I_e | A | 1 |
| 220 V | I_e | A | 0,25 |
| Lifespan | | | |
| Lifespan, mechanical | Operations | $\times 10^6$ | > 5 |
| Lifespan, electrical | Operations | $\times 10^6$ | 1 |
| | Failure rate | | |

| | | | |
|--|--|-----------------|---|
| Control circuit reliability (at $U_e = 24\text{ V DC}$, $U_{\min} = 17\text{ V}$, $I_{\min} = 5.4\text{ mA}$) | | | $< 10^{-8} < 1$ failure at 1×10^8 operations |
| Interlocked opposing contacts to ZH 1/457 | | | Yes |
| Short-circuit rating without welding | | | |
| Fuseless | | | FAZ-B4/1-HI |
| Fuse | | A gG/gL | 10 |
| Terminal capacities | | | |
| Solid or flexible conductor with ferrule | | mm ² | 0.75 – 2.5 |
| Solid or stranded | | AWG | 18 – 14 |

Dimensions



Moeller GmbH, Hein-Moeller-Str. 7-11, D-53115 Bonn
E-Mail: catalog@moeller.net, Internet: www.moeller.net, <http://catalog.moeller.net>
HPL-C2007G V2.1 © 2007 by Moeller GmbH