

This small ABS terminal box range, SABP, with a IP 66, 67 protection degree, is available off the shelf in many different sizes. The SABP range is well suited for demanding environments, since water and dust are prevented from entering the terminal box, thus eliminating the risk for component failure, and with that unnecessary downtime.

Description: ABS box, halogen-free, suitable for indoor use. Low UV radiation resistance.

Material: ABS. Transparent cover: polycarbonate.

Gasket: Polyurethane gasket integrated in the box cover.

Temperature resistance: -40 °C to +60 °C.

Flammability: UL94 HB.

Protection: IP 66, 67 | IK 06 (-25 °C), IK 07 (+35 °C).

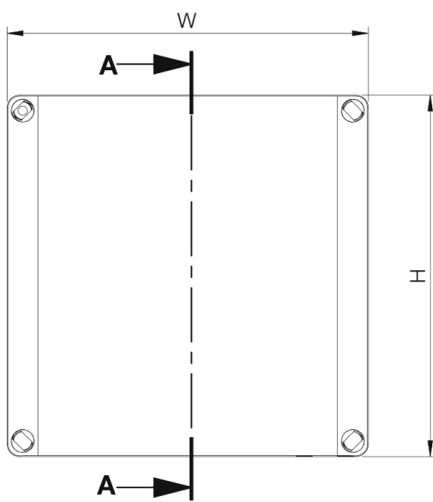
Finish: RAL 7035.

Delivery: Body, cover, cover screws manufactured from polyamide and mounting screws.

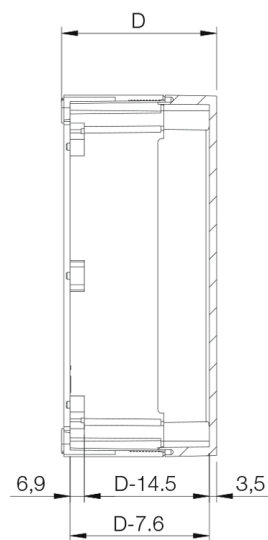
IP 66,67 | IK 06/07



Front view

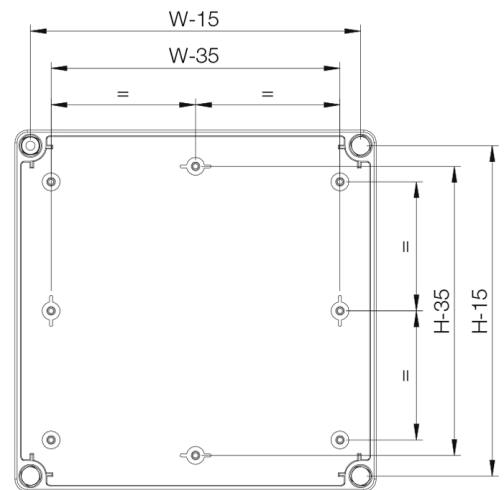


Sectional side view



SECTION A-A

Inside box view



Top view



Box dimension					
H	W	D	Inner depth (mm)	Weight (kg)	Item no.
75	125	75	60.5	0.20	SABP081308GE
75	125	100	85.5	0.25	SABP081310GE
75	125	125	110.5	0.25	SABP081313GE
125	125	75	60.5	0.25	SABP131308GE
125	125	100	85.5	0.30	SABP131310GE
125	125	125	110.5	0.35	SABP131313GE
125	175	75	60.5	0.35	SABP131808GE
125	175	100	85.5	0.40	SABP131810GE
125	175	125	110.5	0.45	SABP131813GE
125	175	150	135.5	0.55	SABP131815GE
175	175	75	60.5	0.50	SABP181808GE
175	175	100	85.5	0.55	SABP181810GE
175	175	125	110.5	0.55	SABP181813GE
175	175	150	135.5	0.60	SABP181815GE
175	250	75	60.5	0.55	SABP182508GE
175	250	100	85.5	0.60	SABP182510GE
175	250	150	135.5	0.65	SABP182515GE

Note: Terminal box, with polycarbonate transparent cover fitted, can be ordered by replacing GE with TE in the item number. Terminal box manufactured from polycarbonate can be ordered by replacing SABP with SPCP in the item number.

SABP

Medium ABS terminal box