

Data Sheet

Isolation valve Type **MBV 2000**

Designed for mounting between Danfoss pressure transmitters



The MBV 2000 isolation valve is designed for mounting between Danfoss pressure transmitters with DIN 3852 - E pressure connection and fluid-filled systems.

The isolation valve automatically closes when a transmitter is removed, so transmitters can be changed easily without having to first drain a system. The valve reopens when a transmitter is connected.

Features

- Compact design
- Fast and easy installation and removal
- Simple and effective isolation

Product specification

Technical data

Table 1: Performance

| | | |
|--------------------|--------------------------------------|---------------------------|
| Pressure | Operating pressure Burst pressure | Up to 600 bar 1500 bar |
| Temperature | Operating temperature | -20 – 200 °C |

Table 2: Materials

| | | |
|----------------------|--|--|
| Wetted parts | All metal parts in contact with the medium | DIN 17440-1.4404 (AISI 316 L) |
| Gasket | Viton | - |
| System medium | The valve is impervious to fuel oil, oil and air | It is not recommended for use with petroleum, combustible gasses or corrosive chemicals. |

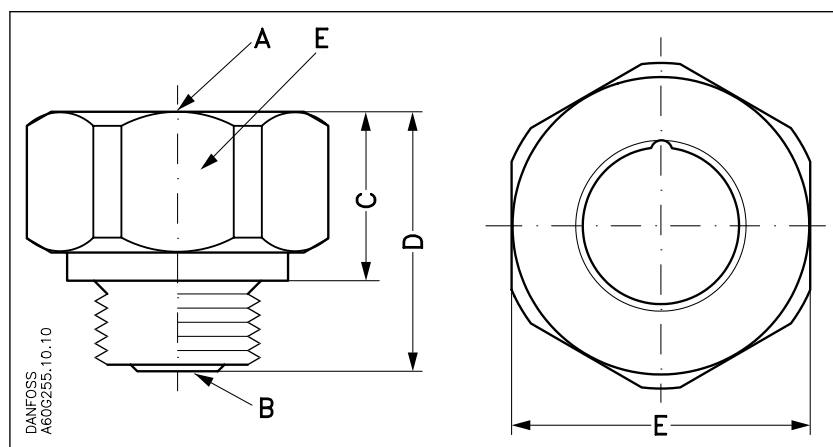
Table 3: Mounting

| | | |
|------------------------------|--|--|
| Packaging | Isolation valves are supplied with two plastic protective covers which should be removed prior to use. | |
| Locking / fixing | For safety, it is essential that the isolation valve is thoroughly secured to the system prior to connecting / disconnecting a transmitter. The valve must not become loose when a transmitter is being removed. | |
| Fitting & removal | It is recommended to remove or fit transmitters at a system pressure below 40 bar. | |

Application note

The MBV 2000 must only be used to connect Danfoss transmitters with a pressure connection in compliance to DIN-3852-E.

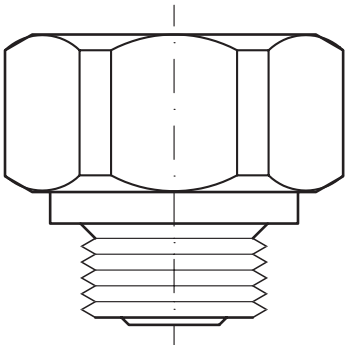
Specification and code numbers for standard types



| Type | A | B | C [mm] | D [mm] | E | Code no. |
|--------------|----------------|------------------|--------|--------|----|----------|
| MBV 2000-111 | G ¼ DIN 3852-E | G ¼ A DIN 3852-E | 17.5 | 29.4 | 24 | 061B6001 |
| MBV 2000-123 | G ¼ DIN 3852-E | G ½ A DIN 3852-E | 15.4 | 29.4 | 30 | 061B6002 |
| MBV 2000-223 | G ½ DIN 3852-E | G ½ A DIN 3852-E | 20.4 | 34.4 | 30 | 061B6003 |

Ordering

Ordering of special versions



Type no: MBV 2000-

Female thread:

| | | | | | |
|-------------|-----------------|---|---|---|---|
| G 1/4 | DIN 3852-E..... | 1 | X | X | X |
| G 1/2* | DIN 3852-E..... | 2 | | | |
| Others..... | | X | | | |

Male thread:

| | | | | | |
|-------------|-----------------|--|---|--|--|
| G 1/4 | DIN 3852-E..... | | 1 | | |
| G 1/2* | DIN 3852-E..... | | 2 | | |
| 1/4-18 NPT | DIN 3866-A..... | | 3 | | |
| Others..... | | | X | | |

Width across flats

| | |
|-------------|---|
| E 24..... | 1 |
| E 27..... | 2 |
| E 30..... | 3 |
| Others..... | X |

* E 27 & E 30 only

Ordering of special versions will impose an additional cost and extended delivery times.
 Minimum order quantity: 12 parts.

Certificates, declarations, and approvals

The list contains all certificates, declarations, and approvals for this product type. Individual code number may have some or all of these approvals, and certain local approvals may not appear on the list.

Some approvals may change over time. You can check the most current status at danfoss.com or contact your local Danfoss representative if you have any questions.

Table 4: Declarations

| File name | Document type | Document topic | Approval authority |
|--------------------------|-----------------|-----------------------|--------------------|
| EAC RU Д-ДК.БЛ08.В.03644 | EAC Declaration | Machinery & Equipment | EAC |

Online support

Danfoss offers a wide range of support along with our products, including digital product information, software, mobile apps, and expert guidance. See the possibilities below.

The Danfoss Product Store



The Danfoss Product Store is your one-stop shop for everything product related—no matter where you are in the world or what area of the cooling industry you work in. Get quick access to essential information like product specs, code numbers, technical documentation, certifications, accessories, and more.

Start browsing at store.danfoss.com.

Find technical documentation



Find the technical documentation you need to get your project up and running. Get direct access to our official collection of data sheets, certificates and declarations, manuals and guides, 3D models and drawings, case stories, brochures, and much more.

Start searching now at www.danfoss.com/en/service-and-support/documentation.

Danfoss Learning



Danfoss Learning is a free online learning platform. It features courses and materials specifically designed to help engineers, installers, service technicians, and wholesalers better understand the products, applications, industry topics, and trends that will help you do your job better.

Create your Danfoss Learning account for free at www.danfoss.com/en/service-and-support/learning.

Get local information and support



Local Danfoss websites are the main sources for help and information about our company and products. Find product availability, get the latest regional news, or connect with a nearby expert—all in your own language.

Find your local Danfoss website here: www.danfoss.com/en/choose-region.

Spare Parts



Get access to the Danfoss spare parts and service kit catalog right from your smartphone. The app contains a wide range of components for air conditioning and refrigeration applications, such as valves, strainers, pressure switches, and sensors.

Download the Spare Parts app for free at www.danfoss.com/en/service-and-support/downloads.