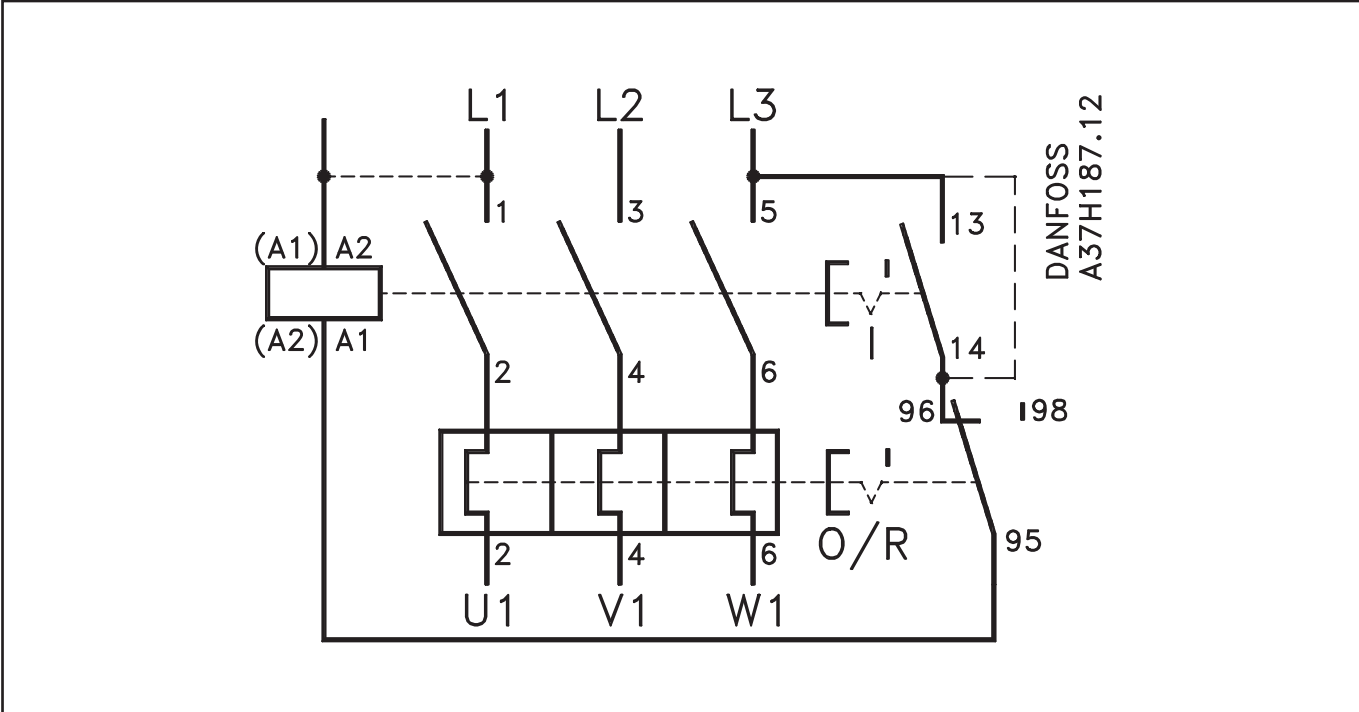


Installation Guide

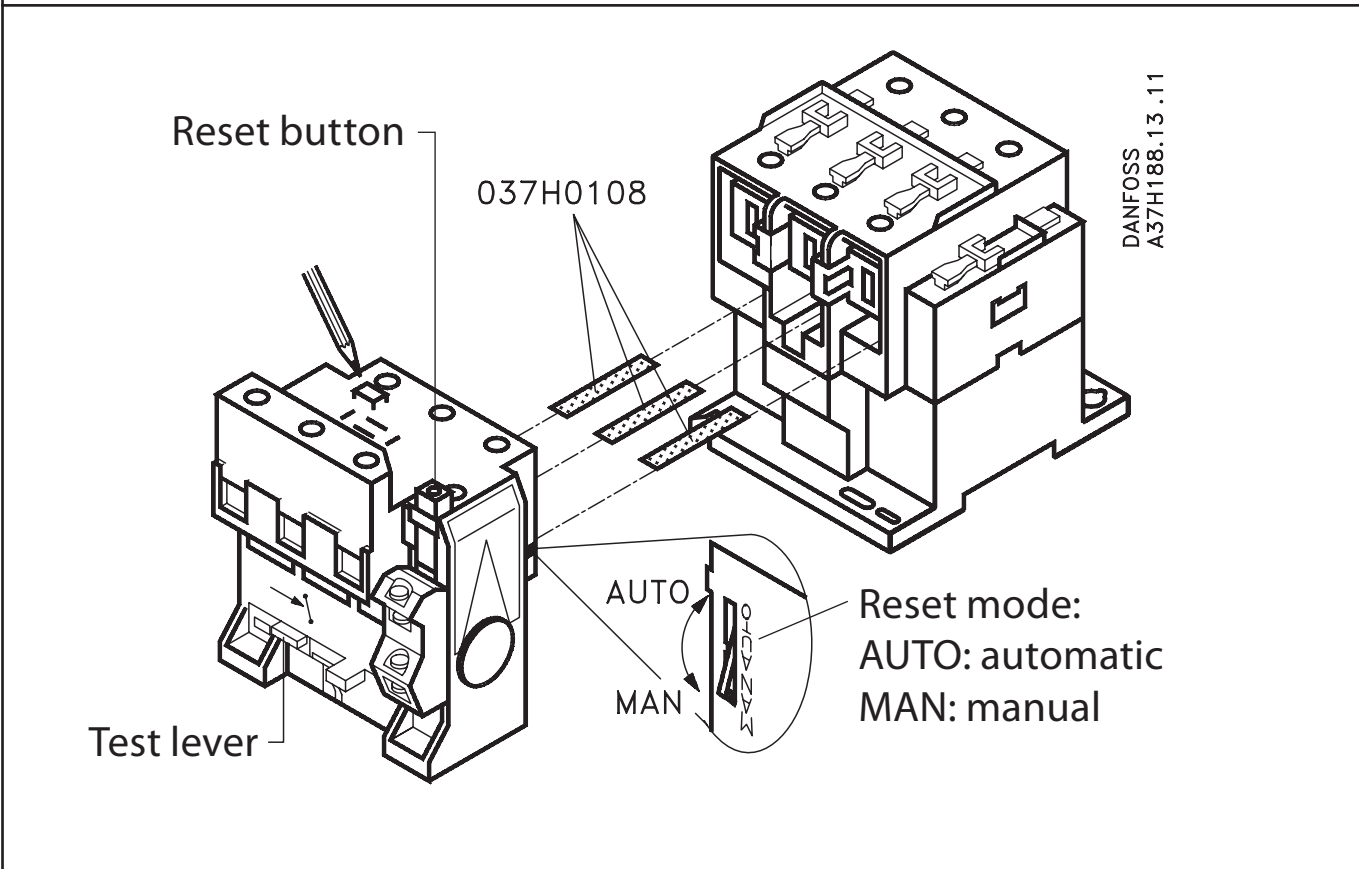
Thermal Overload Relay

Types TI 80 and TI 86

520B5503



520B5503



During assembly or commissioning check control circuit by pressing test lever and reset button.