

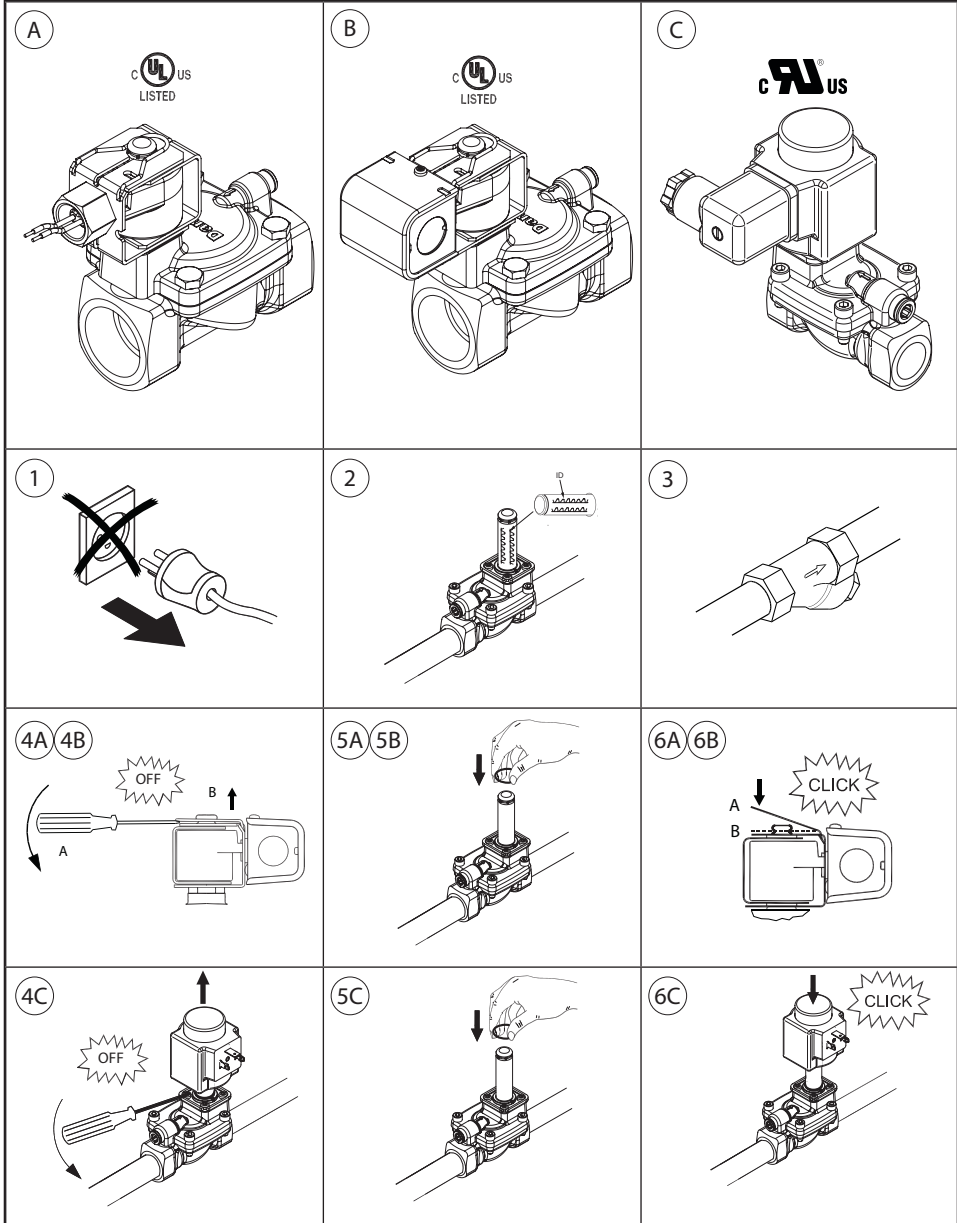
Installation guide

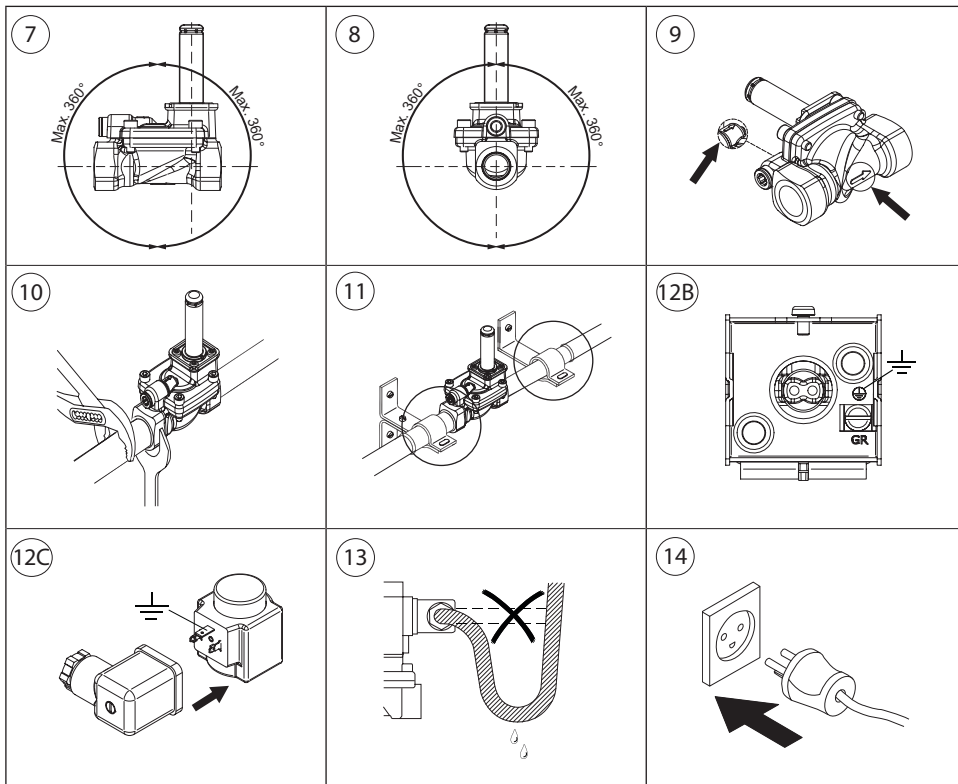
Solenoid valve

Type EV220B 15 - EV220B 50

032R9329

032R9329





15

DN	MWP		Max. test pressure PT	
	[bar]	[psi]	[bar]	[psi]
15 - 20	15.5	225	23.25	338
25 - 50	12.4	180	18.6	270

EN 60730-2-8

Visit www.products.danfoss.com for further technical data