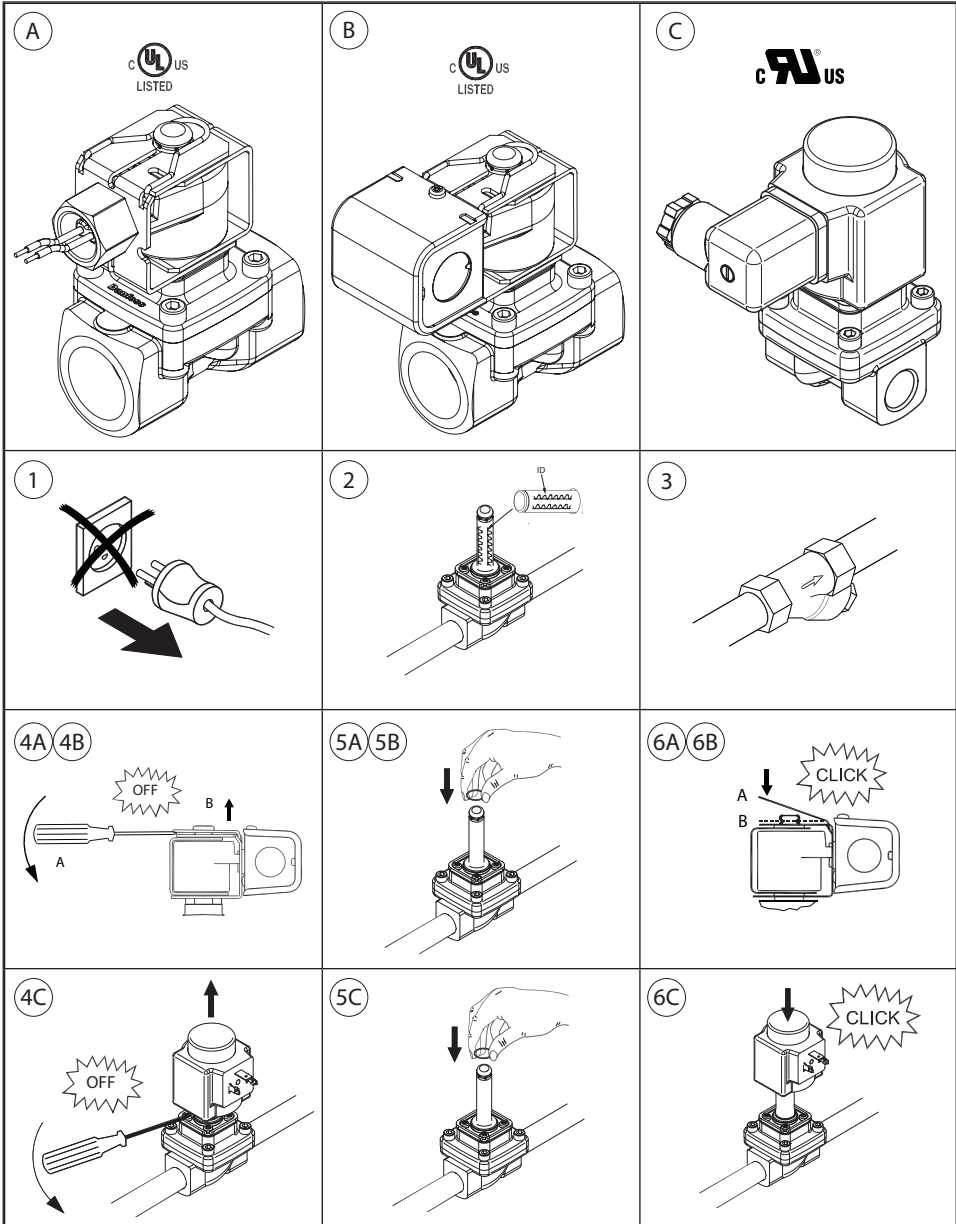


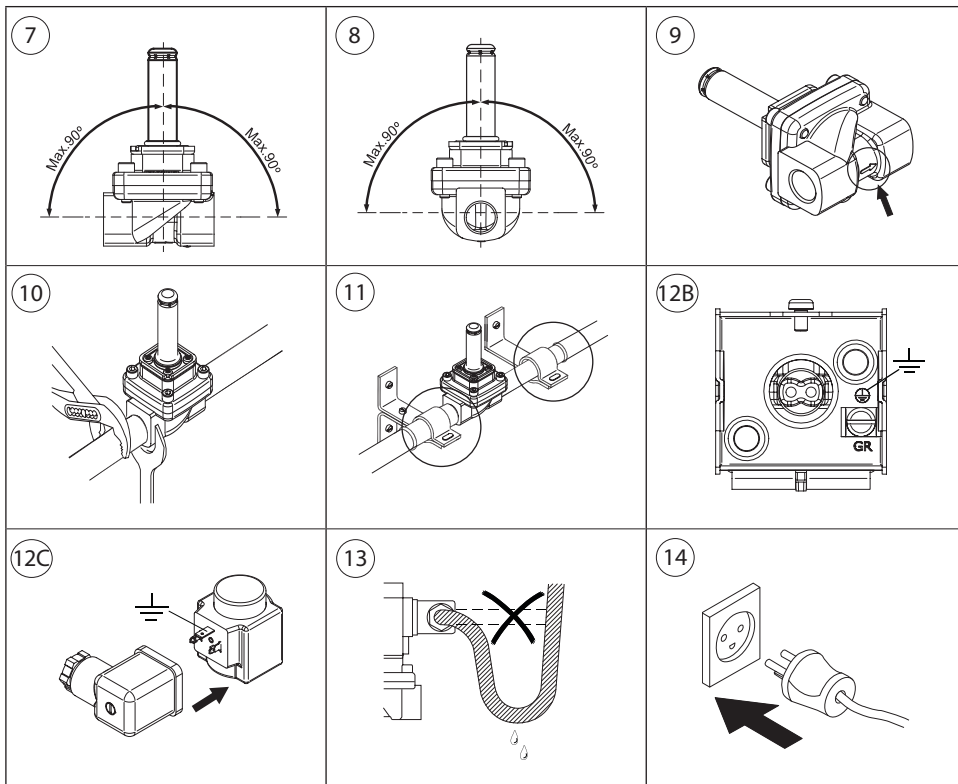
Installation guide

**Solenoid valve**  
Type EV250B

032R9330

032R9330





15

DN	MWP		Max. test pressure PT	
	[bar]	[psi]	[bar]	[psi]
10 - 22	15.5	225	23.25	337.5

EN 60730-2-8

Visit [www.products.danfoss.com](http://www.products.danfoss.com) for further technical data