

Emergency Stop and Safety Gate Modules MA1B

CARLO GAVAZZI



- Safety Category 2 according to EN 954-1
- Category 0 Emergency Stop
- 2 NO safety outputs
- 1 NO optocoupled NPN auxiliary outputs
- 24 VCA / VCC power supply
- Self monitoring
- Automatic or manual reset
- Failure diagnosis by LEDs
- Single channel input
- Feedback circuit for external contactors monitoring

Product Description

Emergency Stop and Safety Gate modules according to EN 60204-1, EN 292-1 /-2, EN 418, EN 1088 and EN 954-1. Possibility to connect mechanical switches or SMS-03 magnetic switches for safety gate monitoring applications.

Ordering Key

MA1 B

Housing _____
 Application _____
 Controlled Devices _____
 Safety Category _____

Electrical Specifications

Power supply	24 VAC ± 10% 50-60Hz / 24 VDC ± 10%	Safety output switching voltage /current /capability	230VAC/8A/1840VA
Power consumption	< 5 VA / 5 W	Safety output contact fuse protection	6 A fast or 4 A delayed
Input current/voltage	50 mA @ 24 VDC	Insulation voltage	2.5 KV for signal parts; 4.0 KV for safety output parts; Pollution degree 2 Overvoltage category III
Safety outputs	2 NO		
Auxiliary outputs	1 optocoupled NPN 55V 50mA		

Time Specifications

Delay on energisation	≤ 150 ms
Delay on de-energisation	≤ 25 ms
Recovery time	≥ 25 ms
Channel simultaneity	—

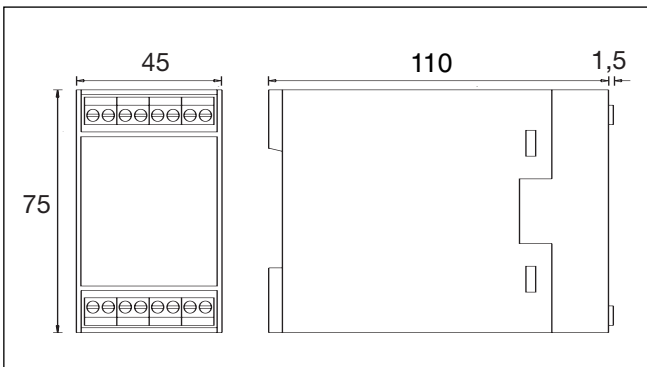
Environmental Specifications

Operating temperature	0°C ... + 55°C
Storage temperature	-25°C ... + 55°C

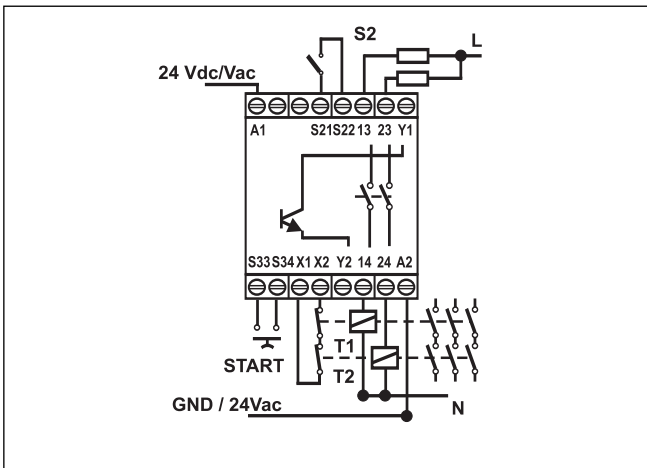
Mechanical Specifications

Protection degree terminals	IP 20	Max cross section of external conductors	4 mm ² rigid wire 2.5 mm ² flexible wire
Protection degree housing	IP 30	Dimensions	45 x 75 x 110 mm
Housing material	ABS	Weight	200 g
Housing type	45 mm housing models		
Mounting	DIN rail		

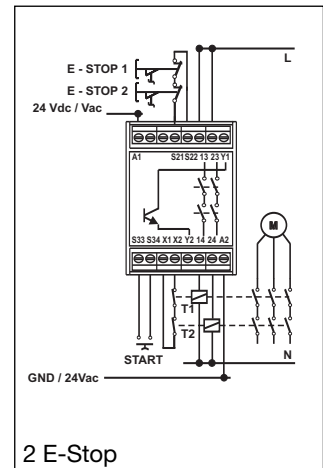
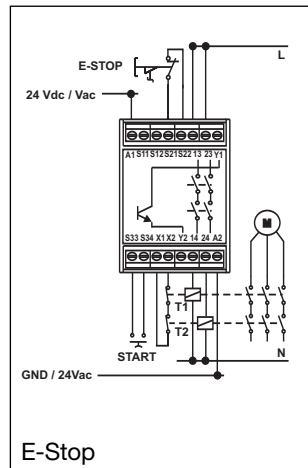
Dimensions



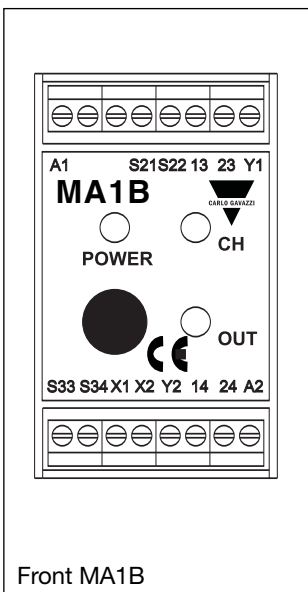
Wiring Diagrams



Application



Connection Sample



Connections

Terminal Function	Connection
A1	+24 VDC or AC supply
A2	GND or AC supply
S11-S12	Input channel (NO) (E-STOP or Safety Switch Channel)
X1-X2	Feedback input for external contactors monitoring
S33-S34	START (automatic or manual)
13-14	First safety output (NO)
23-24	Second safety output (NO)
Y1	Collector of NPN Auxiliary output (NO)
Y2	Emitter of NPN Auxiliary output (NO)