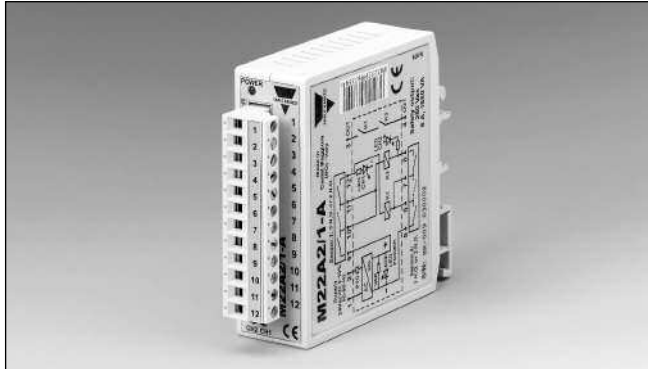


Emergency Stop and Safety Gate Modules M22A21A

CARLO GAVAZZI



- Safety Category 1 according to EN 954-1
- Category 0 Emergency Stop
- 1 NO safety output
- 24 VAC / VDC power supply
- Single/dual channel inputs
- Automatic reset
- Failure diagnosis by LEDs

Product Description

Emergency Stop and Safety Gate module according to EN 418, EN 1088 and EN 954-1. EN 60204-1, EN 292-1/-2,

Ordering Key

M22 A 2 1 A

Housing _____
 Application _____
 Controlled Devices _____
 Safety Outputs _____
 Safety Category _____

Electrical Specifications

Power supply	24 VAC \pm 10% 50-60Hz / 24 VDC \pm 10%	Safety output switching voltage /current /capability	250Vac/6A/1660VA
Power consumption	2 VA / 2 W	Safety output contact fuse protection	6 A fast or 4 A delayed
Input current/voltage	50 mA @ 24 VDC	Insulation voltage	2.5 KV for signal parts; 4.0 KV for safety output parts; Pollution degree 2 Overvoltage category III
Safety outputs	1 NO		
Auxiliary outputs	–		

Time Specifications

Delay on energisation	\leq 25 ms
Delay on de-energisation	\leq 25 ms
Recovery time	\geq 25 ms
Channel simultaneity	∞

Environmental Specifications

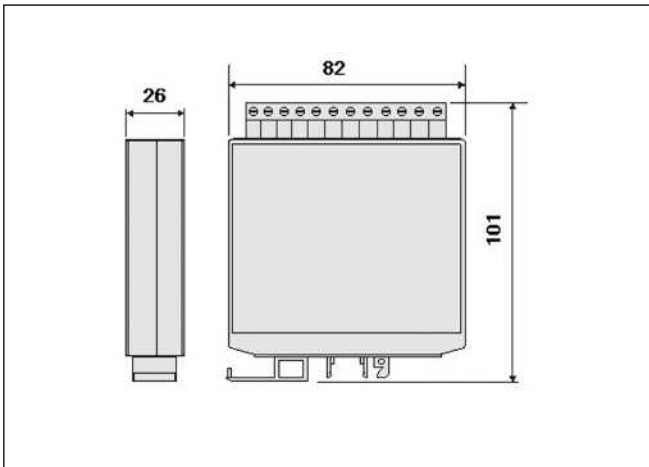
Operating temperature	-0°C ... + 55°C
Storage temperature	-25°C ... + 65°C

Mechanical Specifications

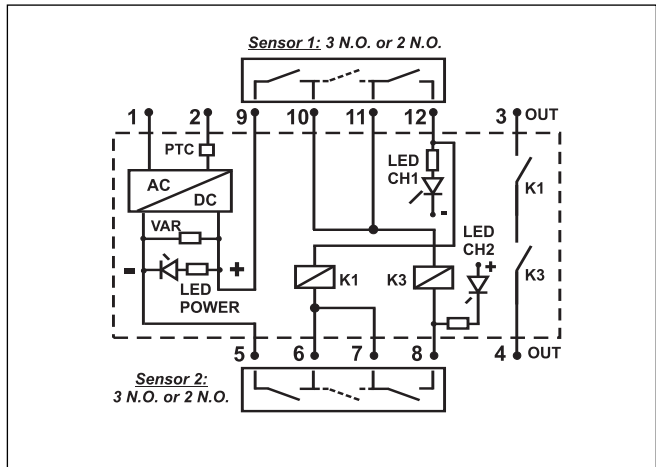
Protection degree terminals	IP 20	Max cross section of external conductors	1.5 mm ² flexible wire 2.5 mm ² rigid wire
Protection degree housing	IP 30	Dimensions	26 x 82 x 101 mm
Housing material	Nylon flammability class V0-UL94	Weight	120 g
Housing type	26 mm housing models		
Mounting	DIN rail		



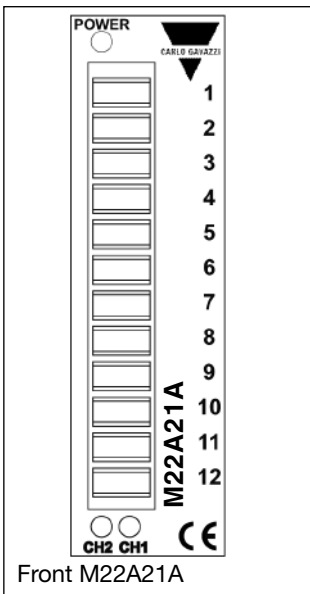
Dimensions



Wiring Diagrams



Connection Sample



Connections

Terminal Function	Connection
1	+24 VDC or AC supply
2	GND or AC supply
5-6-7-8	First input channel (E-STOP or Safety Switch Channel 1)
9-10-11-12	Second input channel (E-STOP or Safety Switch Channel 2)
3-4	Safety Output (NO)