

Wireless PIR Sensor Type G 8986 1127



- Passive infrared detector (PIR)
- Detects movement by e.g. a person
- Indoor applications
- Operating distance: 10 m
- Operating angle: 70°
- Walk test: LED indication
- Switch for walk test LED on/off
- Channel coding by GAP 1605
- Supplied 2 x AAA battery
- Wireless range up to 100 m in open air
- Battery lifetime approximately 1 year

Product Description

The G89861127 is a wireless passive infrared detector with a built-in transmitter for detection of e.g. a person's

movements. It is basically used for light control. The wireless PIR is part of the Dupline smart-house automation concept.

Type Selection

Supply	Ordering no. 1 channel PIR detector
2 x AAA battery (800 mAH)	G 8986 1127

Batteries are not included

Input Specifications

Inputs	PIR on I/O 1
Lens	Dual detecting zones
Segments	24
Levels	3
Angle	70°
Operating distance	≤ 10 m (see radiation diagram)
Wave length	7 to 14 μm
Input detection speed	0.5 to 5 pulses/s

Ordering Key

G 8986 1127

Type: Dupline®
Type

Supply Specifications

Power supply	Supplied by batteries
Rated operational current	2 x AAA battery (800 mA h). With 1700 activations a day, the lifetime of the batteries is approximately 1 year

General Specifications

Power ON delay	Typ. 1 min.
Walk test indication	LED, red
Switch ON	Walk test ON
Switch OFF	Walk test OFF
Environment	
Degree of protection	IP 40
Operating temperature	For indoor applications
Storage temperature	0° to +50°C (+32° to +122°F) -30° to +70°C (-22° to +158°F)
Material	
Housing	Colour
Lens	White Polyethylene
Dimensions (WxHxD)	104 x 55 x 57 mm
Weight	Approx. 150 g Excluding batteries

Mode of Operation

G 8986 1127 is a 1-channel monostable transmitter with a PIR detector, which operates by means of a dual-element detector.

The transmitter is activated if the temperature suddenly changes (most often it will be heat radiation from a person) in relation to the background radiation. Consequently, the transmitter can be used for ON/OFF switching of lighting, air-conditioning etc. If a person moves within a detection zone, G 8986 1127 is activated.

Switch

If the walk test (switch) is ON, the LED turns ON when the PIR is activated for just 0.15 seconds. Then a non-trigger time period of 10 seconds will follow before the PIR and LED can be reactivated.

Slow movements between zones resulting in a detection speed of less than 0.5 pulses/sec will not be detected. Nor will rapid

movements resulting in a detection speed of more than 5 pulses/sec be detected. As G 8986 1127 is a passive device, several detectors can be placed in the same room without interfering with each other.

The module should not be installed in the following places:

- a) Outdoors.
- b) In places exposed either to sunlight or to motor vehicle headlights pointing directly at the sensor.
- c) In places exposed to direct air flow from a heater or air conditioner.
- d) In places where rapid temperature changes occur.
- e) In places exposed to severe vibration.
- f) Close to glass or other objects which might reflect the infrared radiation.

The wireless G 8986 1127 is programmed as the standard

PIR sensor G89101127 by using a GAP 1605 (see data sheet for this unit).

The communication between G 8986 1127 and the G3486 005x 230 base is established in the following way:

- Push the "Mode" button on the G 8986 1127 base until the red LED indicates association.
- Push the push-button on the module that you want to associate with the G3486 005x 230 base.

Once the association is complete, the LED will light up briefly (approx. 1 second). If the association fails, e.g. because the range is exceeded, the LED in the PIR module will flash rapidly 5 times. This also occurs if, under normal circumstances, it is not possible to establish connection between the G3486 005x 230 base and the module.

It is possible to disable the communication between the G3486 005x 230 base and all

the modules with which it is associated.

- Push the "Mode" button on the G3486 005x 230 base until the red "Disable" LED is lit.

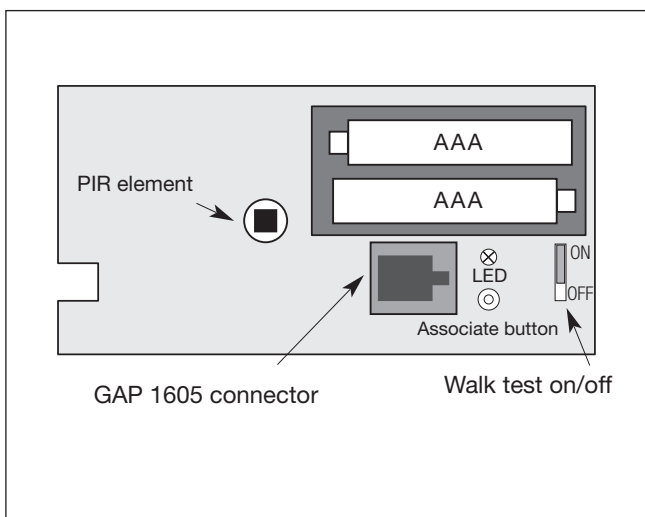
This means that there is no connection between the G3486 005x 230 base and its associations.

To reestablish the connection, push "Mode" until neither "Associate" or "Deactivate" are lit.

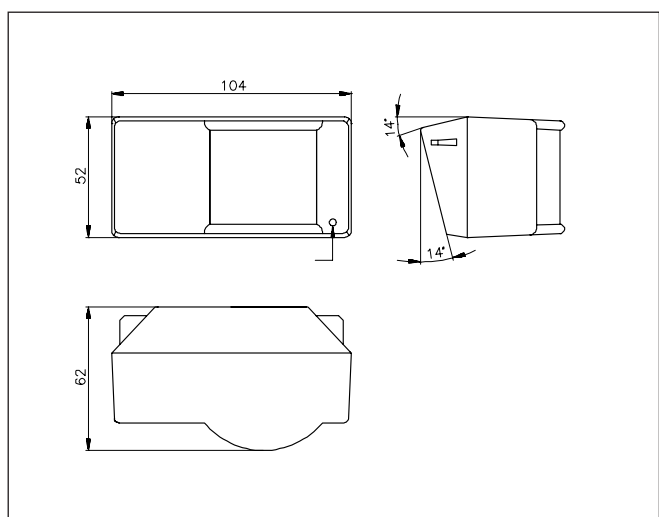
Under normal circumstances, the "Supply" and "Dupline" LEDs will be lit continuously, whereas the LED for "Communication" only flashes briefly when you push the associated push-button.

The LED on the G 8986 1127 will light up briefly when the PIR sensor has been activated by motion. It is possible to disable the LED by moving the switch on G8986 1127 to its off position.

Wiring Diagram



Dimensions (mm)



Radiation Diagram (m)

