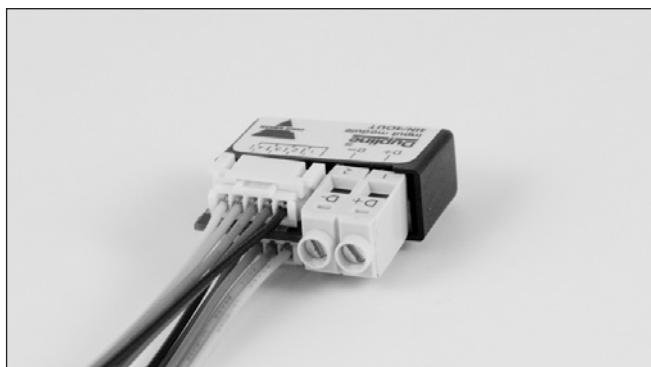


# 4 input 4 output module Type G 8840 5521



- Small-sized 8-channel monostable transmitter and receiver
- 4 contact inputs for pushbuttons
- 4 contact outputs for LED
- Input pulse prolongation
- Compact housing
- Dupline® supplied
- Address coding by GAP 1605
- Low current consumption

## Product Description

Dupline® combined transmitter and receiver in same housing designed to be a part of the Dupline® Building Automation concept. It allows a flexible installation concept in existing/traditional light switches. The compact size

of the module makes it possible to fit it in a junction box or directly behind a switch/pushbutton input. On the input, there is a built-in pulse-prolongation which ensures that even short input pulses are transmitted.

## Type Selection

Supply	Ordering no.
By Dupline®	<b>G8840 5521</b>

## Input Specifications

<b>Inputs</b>	4 contacts
Input current, each channel	0.1 mA
Input pulse prolongation	min. 272 msec.
Cable length	≤ 0.2 m
<b>Dielectric voltage</b>	
Inputs - Dupline®	None
<b>Response time</b>	≤ 1 pulse train

## Supply Specifications

<b>Power Supply</b>	Supplied by Dupline®
Dupline® voltage drop	≤ 2.2 V
Unenergized current condition	0.5 mA
Total current consumption	Typ. 6 mA Max. 10 mA

## General Specifications

<b>Environment</b>	
Operating temperature	0 to +50°C (+32° to +122°F)
Storage temperature	-20 to +70°C (-4° to + 158°F)
<b>Humidity</b> (non-condensing)	20 - 80%
<b>Housing</b>	
Material	Noryl GFN 1, Black
<b>Dimensions</b> (h x w x d)	28 x 28 x 10 mm
Max size of wire in Dupline® terminals	1.5 mm <sup>2</sup>

## Ordering Key

**G 8840 5521**

Type: Dupline®  
Housing  
Transmitter  
Number of Inputs  
Input type

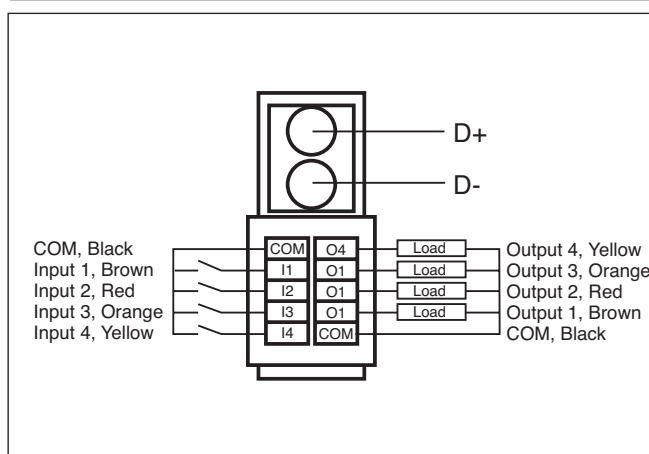
## Mode of Operation

The input addresses may be coded by means of the programming unit GAP 1605, with GAP-TPH-CAB cable + pin-adaptor.

## Output Specifications

<b>Outputs</b>	4 PNP
Load, each channel	Max. 1.5 mA
Output voltage	3.3 V
Cable length	≤ 0.2 m

## Wiring Diagram



## Accessories

Programming cable to GAP 1605  
GAP-TPH-CAB