

Transmitter with Inductive Proximity Switch Function Type G 6110 1145



- Stainless steel housing, cylindrical
- Diameter: M18
- Short version
- Flush mounting
- Sensing distance: 5 mm
- Powered by Dupline®
- Available with M12 connector or with 2 m cable
- Freely programmable channel code by GAP 1605

Product Description

Self-powered Dupline® inductive proximity switch. The channel code is freely programmable by GAP 1605 pro-

grammer. The unit activates the coded channel whenever the proximity of a metallic object is detected.

Ordering Key

G 6110 1145

Type: Dupline®

Type Selection

Housing diameter	Connection	Rated operating dist. (S _n)	Ordering Number
M18	Cable	5 mm ¹⁾	G 6110 1145
M18	M12 plug	5 mm ¹⁾	G 6110 1145-1

¹⁾ For flush mounting in metal

Input Specifications

Input	Inductive proximity switch
Nominal sensing distance S _n	5 mm
Effective sensing range S _r	$0.9 \times S_n \leq S_r \leq 1.1 \times S_n$
Usable operating range S _u	$0.9 \times S_r \leq S_u \leq 1.1 \times S_r$
Assured operating range S _a	$0 < S_a < 0.81 \times S_n$
Hysteresis H	Typ. 7%
Response time	≤ 1 Dupline® pulse train

Supply Specifications

Power supply	Supplied by Dupline®
Reverse polarity protection	Yes
Rated operational current	Typ. 900 µA

General Specifications

Power On delay	Typ. 5 mS
Environment	
Degree of protection	IP 67
Pollution degree	3 (IEC 60664)
Operating temperature	-25 to +70°C (-13 to +158°F)
Storage temperature	-30 to +80°C (-22 to +176°F)
Mechanical resistance	
Tightening torque	2.6 Nm
Material	
Housing & Body	Stainless steel (1.4301)
Back	Black polyester
Front	Grey thermoplastic polyester
Cable type	PVC, grey, oil proof, 3 x 0.3 mm ²
Cable length	2 m
Weight (cable included)	25 g

Reduction Factors

The nominal sensing distance is reduced by the use of metal and alloys other than ST 37. Most important reduction factors for the inductive proximity switch are:

Stainless steel	0.6 x S _n
Brass	0.4 x S _n
Aluminium	0.3 x S _n
Copper	0.2 x S _n

Mode of operation

The G 6110 1145 inductive proximity switch with built-in Dupline® transmitter operates in the same way as the commonly available products of a similar kind. Once

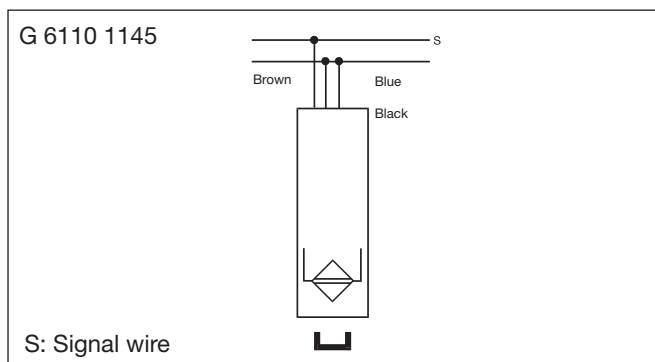
a metallic object is brought within sensing distance of the inductive proximity switch the respective channel will be activated.

The inductive proximity switch may be coded to any Dupline channel by means of the programmer GAP 1605 and the adapter ADAPT 1605.

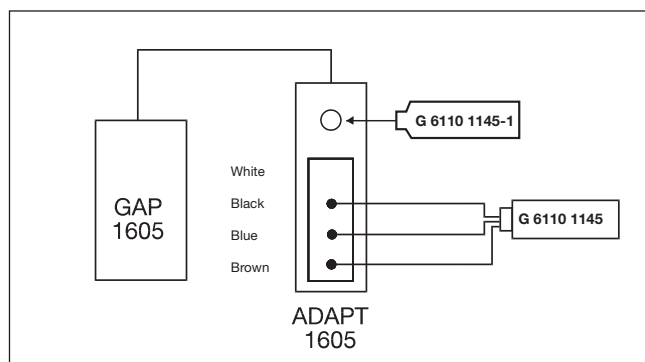
Operation Diagram



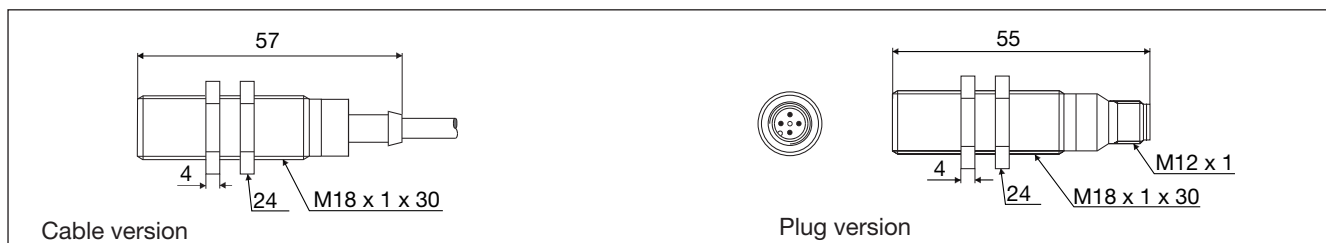
Wiring Diagram



Channel Programming



Dimensions



Accessories

Programming adapter box needed ADAPT 1605 or GTS-CAB (only for G 6110 1145-1)