

Dupline Wireless Base Unit with External Antenna

Type G3486 0059 230



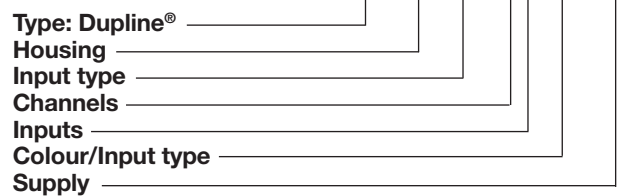
- Dupline transceiver for building automation applications
- Easy to install in both old and new installations
- Unlimited number of connected wireless switches
G8x86 440x 703
- DIN-rail mounting
- Range up to 100 m in open air
- Easy to operate
- External antenna

Product Description

The G3486 0059 230 wireless base station is dedicated for G8x86 440x 703 wireless switches. The units communicate at 868 MHz. The base station is built into a standard H4 plastic housing. The antenna must be placed outside metal cabinets or in open areas in order to avoid loss of range. The wireless Base unit is Capable of controlling a unlimited number of wireless switches. The wireless system is built for smarthouse.

Ordering key

G 3486 0059 230



Input Specifications

- Wireless communication at 868 MHz.

Supply Specifications

Power supply AC types	Overvoltage cat. III (IEC60664)
Rated operational voltage through term. 21 & 22 230	230 VAC, ±15%
Frequency	45 to 65 Hz
Voltage drop-out	40 ms
Rated operational power	Typ. 3 VA
Power dissipation	3 W
Rated impulse voltage 230	4 kV
Dielectric voltage	
Supply – Dupline®	4 kVAC (rms)

General Specification

Power ON Delay	Typ. 2 s
Indication of	
Power ON	Green LED
Dupline® signal	Yellow LED
Wireless communication ON	Green LED
Association	Red LED
Disable RF	Red LED
Environment	
Protection degree	IP 20
Pollution degree	3 (IEC 60664)
Operating temperature	-20°C to +50°C (-4° to + 122°F)
Storage temperature	-50°C to +85°C (-58° to +185°F)
Humidity (non-condensing)	20 to 80%
Mechanical resistance	
Shock	15 G (11 ms)
Vibration	2 G (6 to 55 Hz)
Dimensions	72 x 77 x 70 mm
Material (see “Technical information”)	H4 housing
Antenna	The Ant 1 is used, but not included
Weight	250 g
Special conditions	If the wireless base unit is placed in a metal cabinet or another kind of metal installation, it might reduce its range. Therefore the antenna must be placed outside the cabinet or in open areas.

Mode of operation

The wireless G8x86 44xx 703 switches are programmed as standard Fuga/Opus switches (but with no channel coding for I/O 5-8, as the leds automatically follow the buttons). The communication between the G8x86 44xx 703 wireless switch and the G3486 0059 230 base is established in the following way:

The used Dupline addresses of wireless devices are all programmed at the wireless device. The only "special" interaction regarding wireless devices is the association process.

This process makes sure that your wireless devices are not disturbed by the devices of your neighbour.

To associate a device with the base:

- 1) Press the "mode" button on the base. The association led lights up.
- 2) Press a button on the wireless device to be associated.
- All leds on the device will light up for about 1 second.
- 3) Press the "mode" button on the base unit until both Association and disabled-leds are off. This indicates "normal operation".

If the connection from a wireless device fails, alle leds will flash briefly after trying to communicate with the base unit three times.

If a device associated with base A is in sight of bases A and B and you want to reassociate the device with base B, do the following:

- 1) Select the "Disabled" mode on base A.
- 2) Select the "Associate" mode on base B.
- 3) Press a button on the wireless device to be associated.
- All leds on the device will light up for about 1 second.

- 4) Press the "mode" button on both base units until both Association and disabled leds are off. This indicates "normal operation".

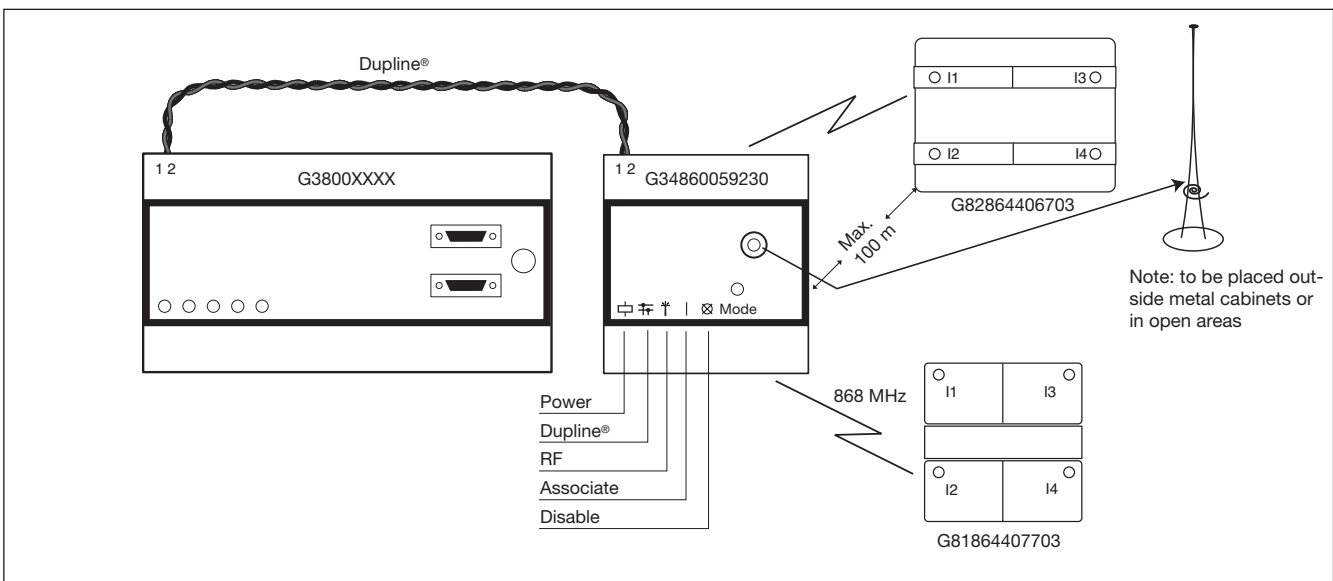
The LEDs:

The "Power" LED indicates that the unit is powered. (230Vac)

The "Dupline OK" LED indicates detected Dupline signal. The "RF" LED indicates received wireless communication directed to this base.

The "Associate" LED indicates the association mode.

The "Disabled" LED indicates that the base ignores any wireless communications.



Accessories

Antenna: ordering number: ANT1