

## BSQ-PIR360



**Passive infrared detector (PIR)**

**Motion detector by e.g. a person**

**Indoor applications**

**Operating distance: 2.5 m to 4.0 m (depending on dipswitch settings)**

**Operating angle: 360°**

**Channel coding by BGP-COD-BAT**

**Supplied by smart-house**

**Ceiling-mount or in Eurobox**

### GENERAL SPECIFICATIONS

<b>Channel coding</b>	By BGP-COD-BAT and special cable: GAP-TPH-CAB
<b>No. of channels</b>	2
<b>Enclosure</b>	Plastic housing
<b>Environment</b>	
Degree of protection	IP 20
Pollution degree	3 (IEC 60664)
Operating temperature	0° to +50°C (+32° to +122°F)
Storage temperature	-20° to +70°C (-4° to +158°F)
<b>Humidity (non condensing)</b>	20 - 80%

<b>Weight</b>	84 g
<b>Dimensions</b>	
OPUS (WxHxD)	ø 90 x 40 mm
<b>Connection</b>	Screw terminals
Max. wire in terminals	4 x 0.75 mm <sup>2</sup>
Terminal D+.	Signal
Terminal D-	GND
<b>Power-on delay</b>	Typ. 10 s

### INPUT/OUTPUT SPECIFICATIONS

<b>Inputs</b>	PIR on I/O 1
Lens	
Angle	360°
Operating distance	Depending on settings of DIP-switch 1 and 2

Wave length	7 to 14 µm
Input detection speed	5 pulses/s
<b>Output</b>	
LED output	Red LED on I/O 5

### SUPPLY SPECIFICATIONS

<b>Power supply</b>	Supplied by smart-house
<b>Consumption</b>	< 8.0 mA

### TYPE SELECTION

<b>Supply</b>	By smart-house
<b>Ordering no.</b>	BSQ-PIR360

### MODE OF OPERATION

BSQ-PIR360 is a 2-channel monostable transmitter with a PIR detector, which operates by means of a dual-element detector.

The transmitter is activated if the temperature suddenly changes (most often it will be heat radiation from a person) in relation to the background radiation. Consequently, the transmitter can be used for ON/OFF switching of lighting, air conditioning etc. If a person moves within a detection zone, BSQ-PIR360 is activated.

The PIR detector is designed for ceiling-mount or in a Eurobox if springs are removed.

Slow movements between zones resulting in a detection speed of less than 0.5 pulses/sec will not be detected. Nor will rapid movements resulting in a detection speed of more than 5 pulses/sec be detected. As BSQ-PIR360 is a passive device, several detectors can be placed in the same room without interfering with each other.

LED indication (walk test):

When the DIP-switch 3 is 'Off', the LED follows the state of the

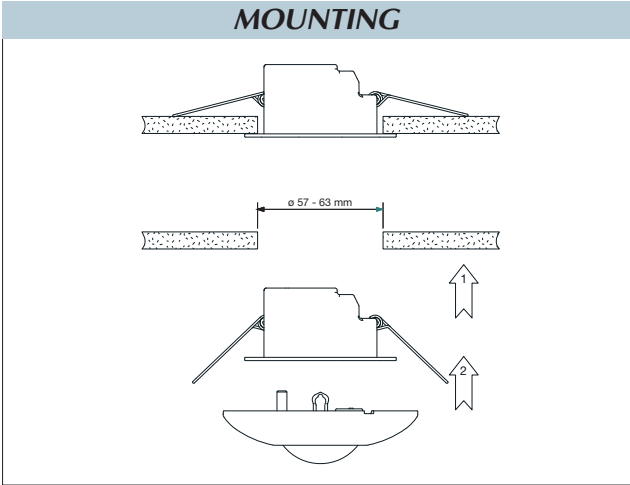
address that is coded in I/O 5. If the address of I/O 5 is on, the LED will be on, and off when the address is off.

When the DIP-switch is 'On', the LED will follow the status of the PIR sensor, logically OR'ed with the state of the address that is coded to I/O 5. If the PIR senses a heat movement, the LED lights up, and extinguishes when the PIR no longer detects a movement. If the address of I/O 5 is off, the LED will follow the state of the PIR element. If the address of I/O 5 is on, the LED will be on.

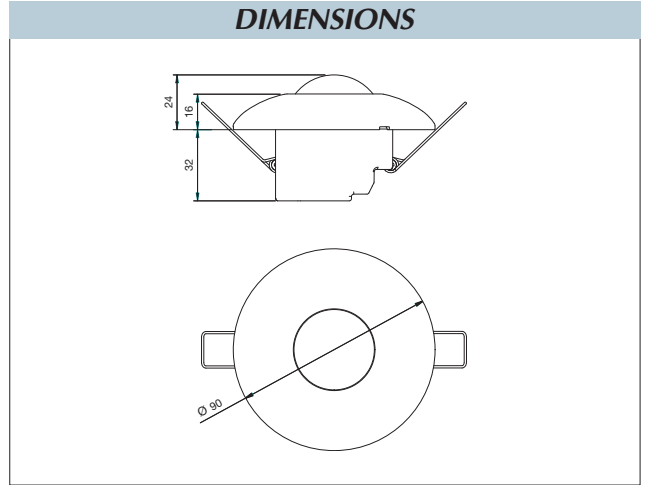
The module should not be installed as follows:

- Outdoor.
- In places exposed either to sunlight or to motor vehicle headlights pointing directly at the sensor.
- In places exposed to direct air flow from a heater or air conditioner.
- In places where rapid temperature changes occur.
- In places exposed to severe vibration.
- Close to glass or other objects which might reflect the infrared radiation.
- For burglar detection.

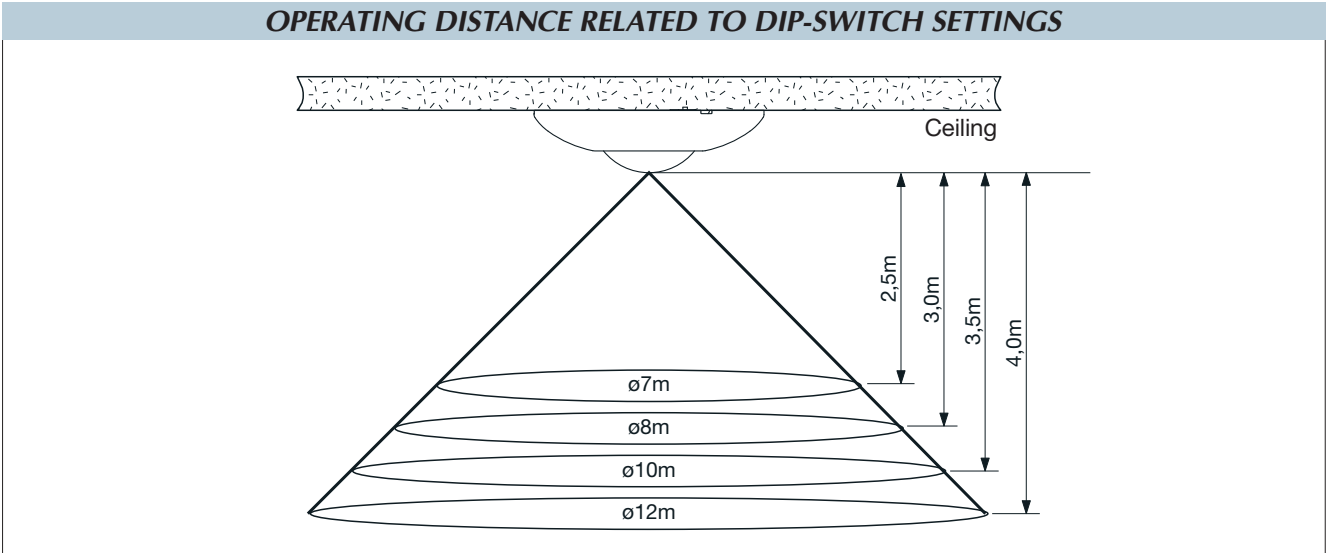
**MOUNTING**



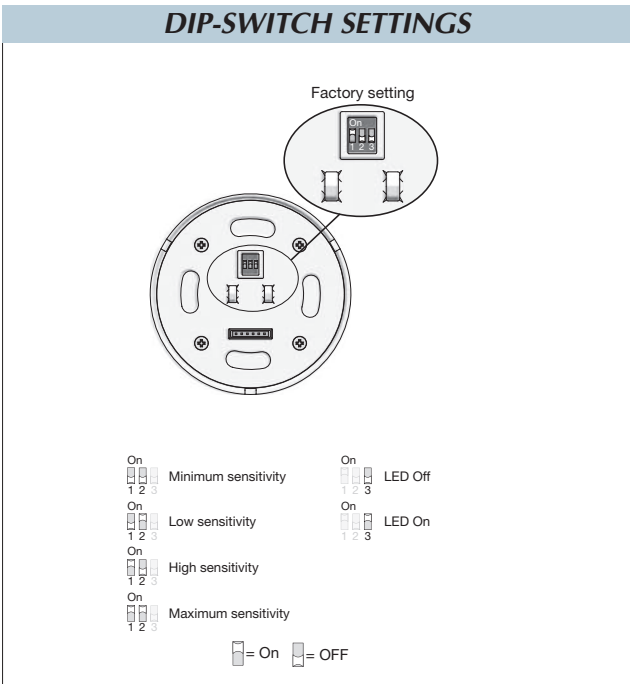
**DIMENSIONS**



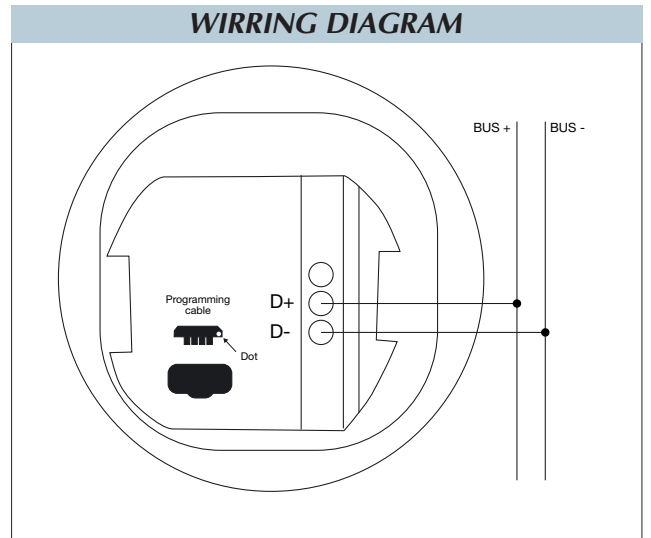
**OPERATING DISTANCE RELATED TO DIP-SWITCH SETTINGS**



**DIP-SWITCH SETTINGS**



**WIRING DIAGRAM**



**ACCESSORIES**

Programming cable to BGP-COD-BAT      GAP-TPH-CAB