

Wireless PIR Sensor

smart-house

BSD-WPIR-BAT



Passive infrared detector (PIR)

Detects movement by e.g. a person

Indoor applications

Operating distance: 10 m

Operating angle: 70°

Walk test: LED indication

Switch for walk test LED on/off

Channel coding by BGP-COD-BAT

Supplied 2 x AAA battery

Wireless range up to 100 m in open air

Battery lifetime approximately 1 year

GENERAL SPECIFICATIONS

| | |
|-----------------------------|--------------------------------|
| Power ON delay | Typ. 1 min. |
| Walk test indication | LED, red |
| Switch ON | Walk test ON |
| Switch OFF | Walk test OFF |
| Environment | |
| Degree of protection | IP 40 |
| | For indoor applications |
| Operating temperature | 0° to +50°C (+32° to +122°F) |
| Storage temperature | -30° to +70°C (-22° to +158°F) |

Material

| | | |
|--------------|--------|-------|
| Housing | Colour | White |
| | Lens | |
| Polyethylene | | |

Dimensions (WxHxD) 104 x 55 x 57 mm

Weight Approx. 150 g
Excluding batteries

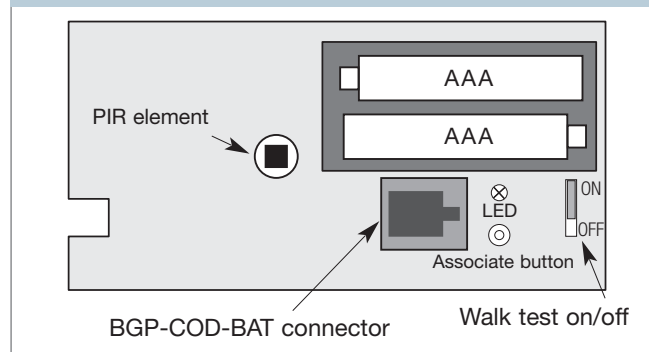
INPUT SPECIFICATIONS

| | |
|-----------------------|-----------------------------------|
| Inputs | PIR on I/O 1 |
| Lens | Dual detecting zones |
| Segments | 24 |
| Levels | 3 |
| Angle | 70° |
| Operating distance | ≤ 10 m (see radiation diagram) |
| Wave length | 7 to 14 μm |
| Input detection speed | 0.5 to 5 pulses/s |

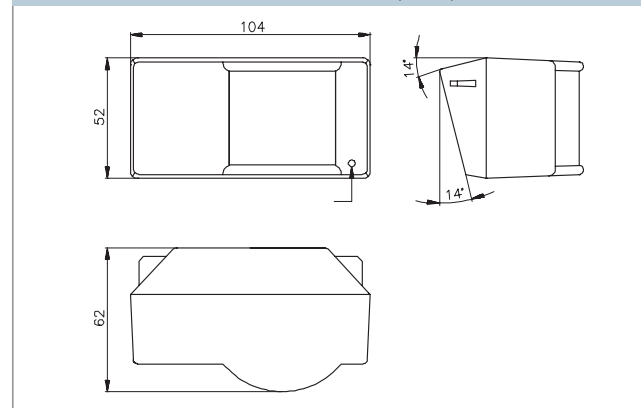
SUPPLY SPECIFICATIONS

| | |
|---------------------------|--|
| Power supply | Supplied by batteries |
| Rated operational current | 2 x AAA battery (800 mAh). With 1700 activations a day, the lifetime of the batteries is approximately 1 year |

WIRING DIAGRAM



DIMENSIONS (mm)



TYPE SELECTION

| | |
|------------------------------|---|
| Supply | Ordering no. |
| 2 x AAA battery (800 mAh) | 1 channel PIR detector BSD-WPIR-BAT |

Batteries are not included

MODE OF OPERATION

BSD-WPIR-BAT is a 1-channel monostable transmitter with a PIR detector, which operates by means of a dual-element detector.

The transmitter is activated if the temperature suddenly changes (most often it will be heat radiation from a person) in relation to the background radiation. Consequently, the transmitter can be used for ON/OFF switching of lighting, air-conditioning etc. If a person moves within a detection zone, BSD-WPIR-BAT is activated.

Switch

If the walk test (switch) is ON, the LED turns ON when the PIR is activated for just 0.15 seconds. Then a non-trigger time period of 10 seconds will follow before the PIR and LED can be reactivated.

Slow movements between zones resulting in a detection speed of less than 0.5 pulses/sec will not be detected. Nor will rapid movements

resulting in a detection speed of more than 5 pulses/sec be detected. As BSD-WPIR-BAT is a passive device, several detectors can be placed in the same room without interfering with each other.

The module should not be installed in the following places:

- a) Outdoors.
- b) In places exposed either to sunlight or to motor vehicle headlights pointing directly at the sensor.
- c) In places exposed to direct air flow from a heater or air conditioner.
- d) In places where rapid temperature changes occur.
- e) In places exposed to severe vibration.
- f) Close to glass or other objects which might reflect the infrared radiation.

The wireless BSD-WPIR-BAT is programmed as the standard PIR sensor BSD-PIR90A by using a BGP-COD-BAT (see data sheet for this unit).

The communication between BSD-WPIR-BAT and the BH4-WBUx-230 base is established in the following way:

- Push the "Mode" button on the BH4-WBUx-230 base until the red LED indicates association.
- Push the push-button on the module that you want to associate with the BH4-WBUx-230 base.

Once the association is complete, the LED will light up briefly (approx. 1 second). If the association fails, e.g. because the range is exceeded, the LED in the PIR module will flash rapidly 5 times. This also occurs if, under normal circumstances, it is not possible to establish connection between the BH4-WBUx-230 base and the module. It is possible to disable the

communication between the BH4-WBUx-230 base and all the modules with which it is associated.

- Push the "Mode" button on the BH4-WBUx-230 base until the red "Disable" LED is lit. This means that there is no connection between the BH4-WBUx-230 base and its associations. To reestablish the connection, push "Mode" until neither "Associate" or "Deactivate" are lit. Under normal circumstances, the "Supply" and "Dupline" LEDs will be lit continuously, whereas the LED for "Communication" only flashes briefly when you push the associated push-button.

The LED on the BSD-WPIR-BAT will light up briefly when the PIR sensor has been activated by motion. It is possible to disable the LED by moving the switch on BSD-WPIR-BAT to its off position.

RADIATION DIAGRAM (m)

