

BSA-IND



Stainless steel housing, cylindrical

Diameter: M18

Short version

Flush mounting

Sensing distance: 5 mm

Powered by smart-house

Available with 2 m. cable

Freely programmable channel code by BGP-COD-BAT

GENERAL SPECIFICATIONS

Power ON delay	Typ. 5 ms
Environment	
Degree of protection	IP 67
Pollution degree	3 (IEC 60664)
Operating temperature	-25° to +70°C (-13° to +158°F)
Storage temperature	-30° to +80°C (-22° to +176°F)
Mechanical resistance	
Tightening torque	2.6 Nm

Material	
Housing & Body	Stainless steel (1.4301)
Back	Black polyester
Front	Grey thermoplastic polyester
Cable type	PVC, grey, oil proof, 3 x 0.3 mm ²
Cable length	2 m
Weight	25 g

INPUT SPECIFICATIONS

Inputs	
Nominal sensing distance Sn	Inductive proximity switch 5 mm
Effective sensing range Sr	$0.9 \times Sn \leq Sr \leq 1.1 \times Sn$
Usable operating range Su	$0.9 \times Sr \leq Su \leq 1.1 \times Sr$
Assured operating range Sa	$0 < Sa < 0.81 \times Sn$
Hysteresis H	Typ. 7%
Response time	≤ 1 smart-house pulse train

REDUCTION FACTORS

The nominal sensing distance is reduced by the use of metal and alloys other than ST 37. Most important reduction factors for the inductive proximity switch are:

Stainless steel	$0.6 \times Sn$
Brass	$0.4 \times Sn$
Aluminium	$0.3 \times Sn$
Copper	$0.2 \times Sn$

SUPPLY SPECIFICATIONS

Power supply	Supplied by smart-house
Reverse polarity protection	Yes
Rated operational current	Typ. 900 μ A

TYPE SELECTION

Housing diameter	Connection	Rated operating dist. (Sn)	Ordering no.
M18	Cable	5 mm ¹⁾	BSA-IND

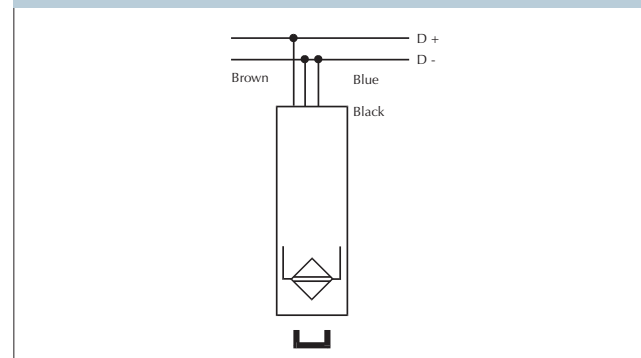
¹⁾ For flush mounting in metal

MODE OF OPERATION

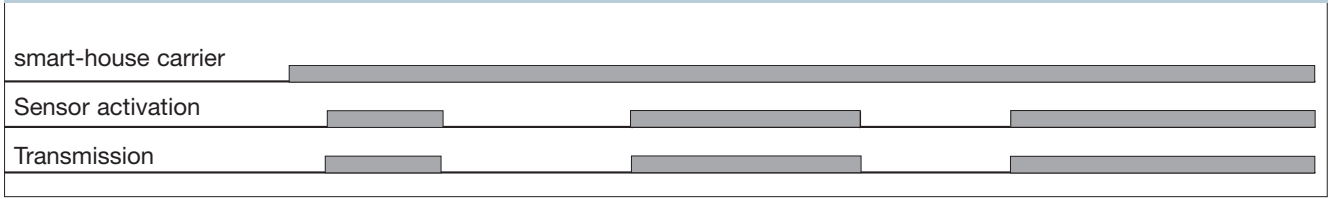
The BSA-IND inductive proximity switch with built-in smart-house transmitter operates in the same way as the commonly available products of a similar kind. Once a metallic object is brought within sensing distance of the inductive proximity switch the respective channel will be activated.

The inductive proximity switch may be coded to any smart-house channel by means of the programmer BGP-COD-BAT and the adapter ADAPT 1605.

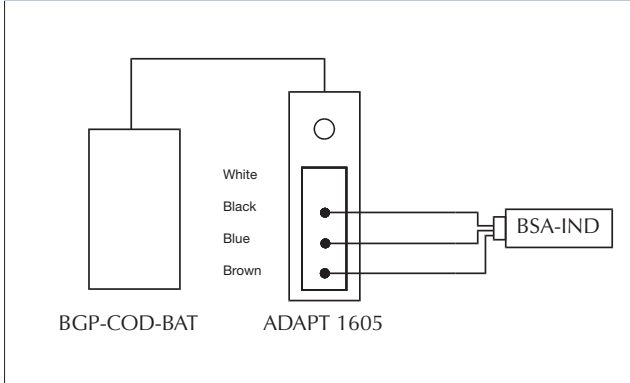
WIRING DIAGRAM



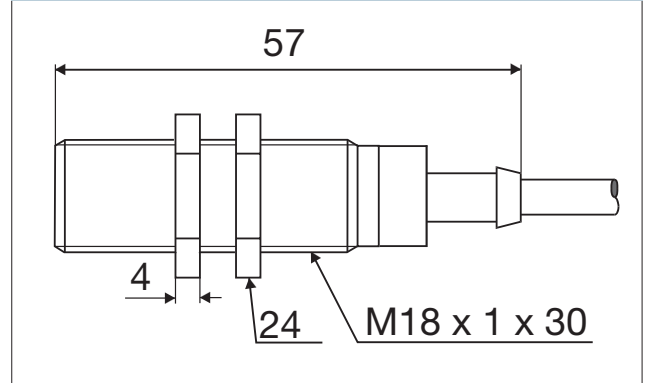
OPERATION DIAGRAM



CHANNEL PROGRAMMING



DIMENSIONS



SUPPLY SPECIFICATIONS

Programming adapter box needed ADAPT 1605