



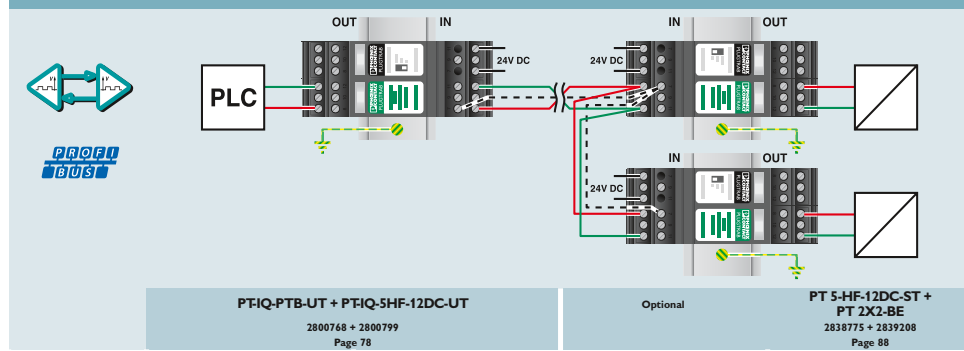
Automatización Eléctrica
Especialistas en Automatización

At the end of this document you will find links to products related to this catalog. You can go directly to our shop by clicking [HERE](#)

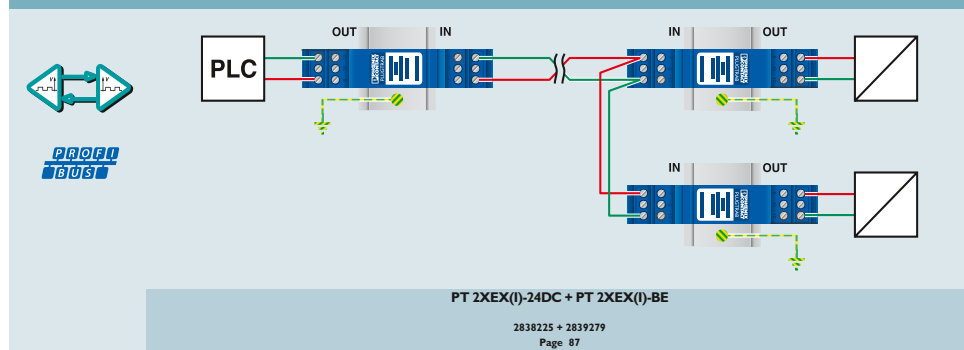
Surge protection and interference filters

Selection guide and applications

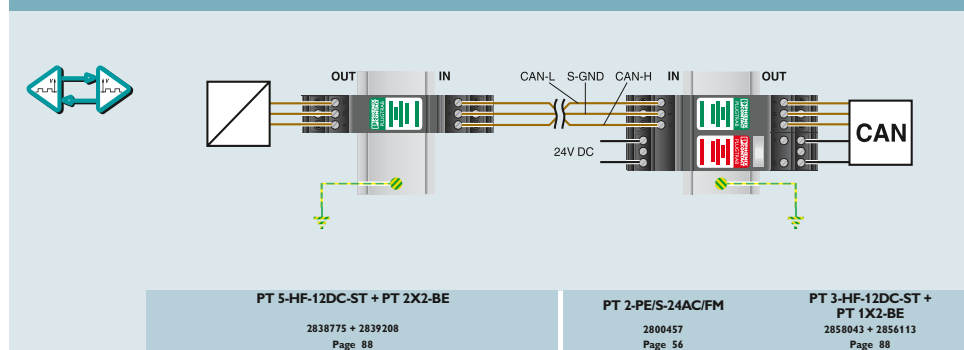
Protection of PROFIBUS DP



Protection of PROFIBUS PA



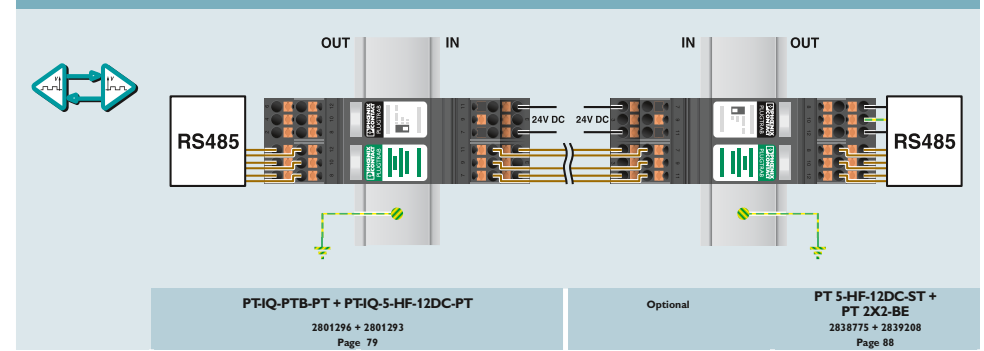
Protection of CAN bus/DeviceNet™



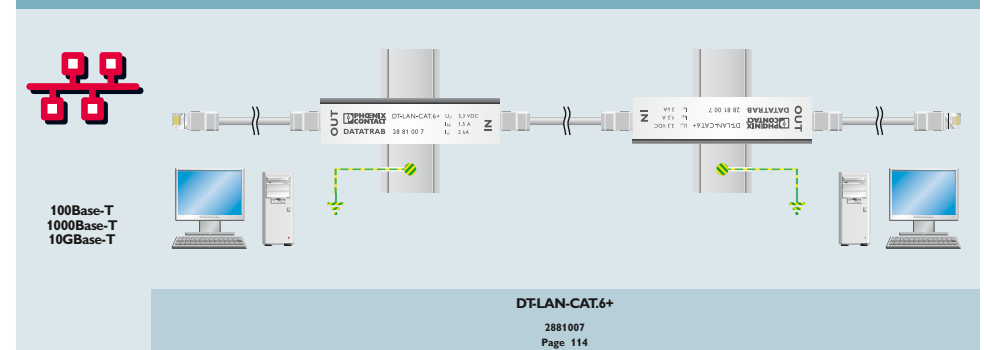
Surge protection and interference filters

Selection guide and applications

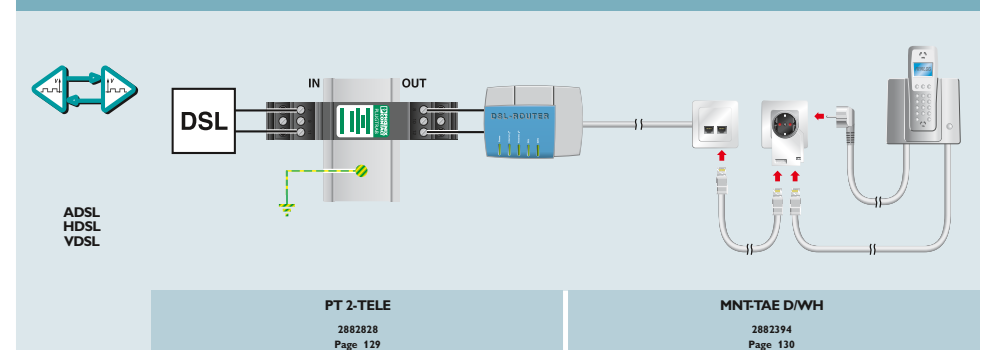
Protection of an RS-485 interface



Protection of an Ethernet interface (including PoE)



Protection of a DSL interface





Automatización Eléctrica
Especialistas en Automatización

Below is a list of articles with direct links to our shop Electric Automation Network where you can see:

- Quote per purchase volume in real time.
- Online documentation and datasheets of all products.
- Estimated delivery time enquiry in real time.
- Logistics systems for the shipment of materials almost anywhere in the world.
- Purchasing management, order record and tracking of shipments.

To access the product, [click on the green button.](#)

Product	Code	Reference	Product link
Pluggable type 3 arrester (device protection) for single-phase power supply networks with separate N and PE (3-conductor system: L1, N, PE) with remote indication contact.	2800457	PT 2-PE/ S-24AC/FM	Buy on EAN