



**Automatización Eléctrica**  
Especialistas en Automatización

At the end of this document you will find links to products related to this catalog. You can go directly to our shop by clicking [HERE](#). [HERE](#)

## Solid-state relay module - EMG 17-OV- 24DC/ 48DC/2 - 2942810

Please be informed that the data shown in this PDF Document is generated from our Online Catalog. Please find the complete data in the user's documentation. Our General Terms of Use for Downloads are valid (<http://phoenixcontact.com/download>)



Solid-state relay interface designed to prevent interference on the control side, input: 24 V DC, output: 48 V DC/2 A

### Why buy this product

- Use of AC output cards, resulting in residual AC currents
- Resistant to interference currents
- Applications with long control lines
- High relay release voltage



### Key Commercial Data

Packing unit	10 STK
GTIN	 4 017918 080860

### Technical data

#### Note

Utilization restriction	EMC: class A product, see manufacturer's declaration in the download area
-------------------------	---

#### Dimensions

Width	17.5 mm
Height	75 mm
Depth	102 mm

#### Ambient conditions

Ambient temperature (operation)	-10 °C ... 55 °C
Ambient temperature (storage/transport)	-10 °C ... 70 °C
Degree of protection	IP20

#### Input data

Nominal input voltage $U_N$	24 V DC
-----------------------------	---------

# Solid-state relay module - EMG 17-OV- 24DC/ 48DC/2 - 2942810

## Technical data

### Input data

Input voltage range in reference to $U_N$	0.8 ... 1.2
Switching threshold "0" signal, voltage	$\leq 16$ V DC
Switching threshold "1" signal voltage	$\geq 16.8$ V DC
Typical input current at $U_N$	8 mA
Typical response time	20 $\mu$ s
Typical turn-off time	200 $\mu$ s
Status display	Yellow LED
Type of protection	Protection against polarity reversal
Protective circuit/component	Polarity protection diode
Transmission frequency	300 Hz

### Output data

Output nominal voltage	48 V DC
Output voltage range	12 V DC ... 48 V DC
Limiting continuous current	2 A (see derating curve)
Maximum inrush current	5 A (t = 1 s)
Peak offstate voltage	60 V DC (Collector-emitter reverse voltage)
Voltage drop at max. limiting continuous current	1.1 V
Output circuit	3-conductor, ground-referenced
Type of protection	Protection against polarity reversal
	Surge protection
Protective circuit/component	Polarity protection diode
	Suppressor diode

### Connection data, input side

Connection name	Input side
Connection method	Screw connection
Stripping length	8 mm
Screw thread	M3
Conductor cross section solid	0.2 mm <sup>2</sup> ... 4 mm <sup>2</sup>
Conductor cross section flexible	0.2 mm <sup>2</sup> ... 2.5 mm <sup>2</sup>
Conductor cross section AWG	24 ... 12

### Connection data, output side

Connection name	Output side
Connection method	Screw connection
Stripping length	8 mm
Screw thread	M3
Conductor cross section solid	0.2 mm <sup>2</sup> ... 4 mm <sup>2</sup>
Conductor cross section flexible	0.2 mm <sup>2</sup> ... 2.5 mm <sup>2</sup>
Conductor cross section AWG	24 ... 12

### General

# Solid-state relay module - EMG 17-OV- 24DC/ 48DC/2 - 2942810

## Technical data

### General

Test voltage input/output	3.5 kV AC
	3.5 kV AC
Assembly instructions	Mounted in rows with zero spacing: Horizontal/not in rows: Any
Operating mode	100% operating factor
Flammability rating according to UL 94	V0
Standards/regulations	IEC 60664
	EN 50178
	IEC 62103
Rated surge voltage/insulation	Basic insulation
Degree of pollution	2
Overvoltage category	III

### Standards and Regulations

Standards/regulations	IEC 60664
	EN 50178
	IEC 62103
Rated surge voltage/insulation	Basic insulation
Degree of pollution	2
Overvoltage category	III
Flammability rating according to UL 94	V0

## Classifications

### eCl@ss

eCl@ss 4.0	27371102
eCl@ss 4.1	27371102
eCl@ss 5.0	27371001
eCl@ss 5.1	27371001
eCl@ss 6.0	27371001
eCl@ss 7.0	27371001
eCl@ss 8.0	27371604

### ETIM

ETIM 2.0	EC001504
ETIM 3.0	EC001504
ETIM 4.0	EC001504
ETIM 5.0	EC001504

### UNSPSC

UNSPSC 6.01	30211916
UNSPSC 7.0901	39121542
UNSPSC 11	39121542

# Solid-state relay module - EMG 17-OV- 24DC/ 48DC/2 - 2942810

## Classifications

### UNSPSC

UNSPSC 12.01	39121542
UNSPSC 13.2	39121542

## Approvals

### Approvals

---

### Approvals

EAC

---

### Ex Approvals

---

### Approvals submitted

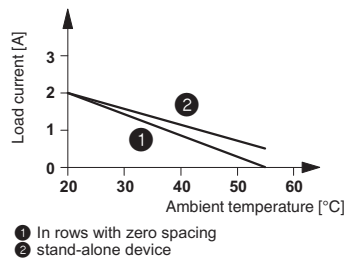
---

### Approval details

EAC

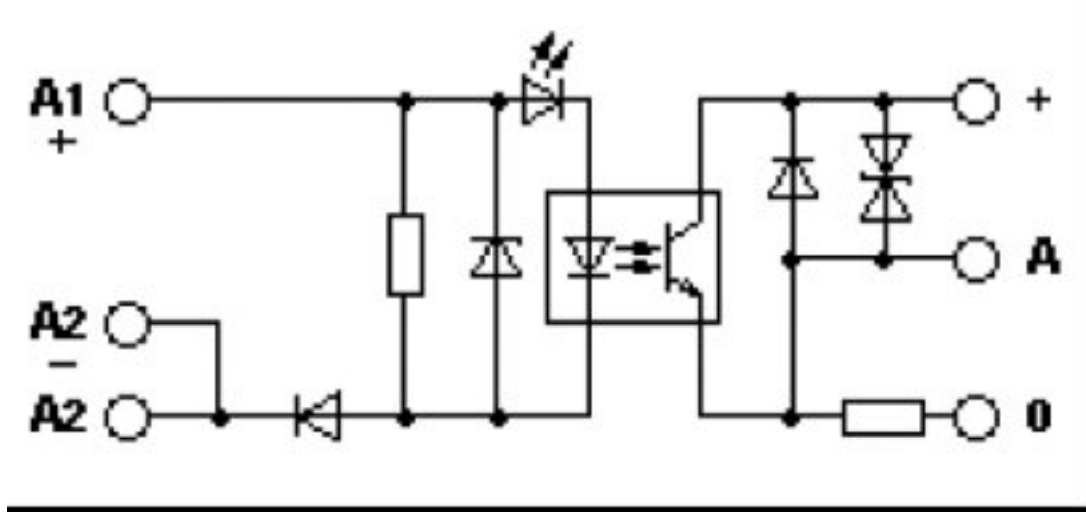
## Drawings

Diagram



# Solid-state relay module - EMG 17-OV- 24DC/ 48DC/2 - 2942810

Circuit diagram



Phoenix Contact 2016 © - all rights reserved  
<http://www.phoenixcontact.com>

PHOENIX CONTACT GmbH & Co. KG  
Flachsmarktstr. 8  
32825 Blomberg  
Germany  
Tel. +49 5235 300  
Fax +49 5235 3 41200  
<http://www.phoenixcontact.com>



Below is a list of articles with direct links to our shop Electric Automation Network where you can see:

- Quote per purchase volume in real time.
- Online documentation and datasheets of all products.
- Estimated delivery time enquiry in real time.
- Logistics systems for the shipment of materials almost anywhere in the world.
- Purchasing management, order record and tracking of shipments.

To access the product, [click on the green button.](#)

Product	Code	Reference	Product link
Solid-state relay interface designed to prevent interference on the control side, input: 24 V DC, output: 48 V DC/2 A	2942810	EMG 17-OV-24DC/ 48DC/2	<a href="#">Buy on EAN</a>