



**Automatización Eléctrica**  
Especialistas en Automatización

At the end of this document you will find links to products related to this catalog. You can go directly to our shop by clicking [HERE](#). [HERE](#)

## Solid-state relay terminal block - DEK-OV- 24DC/ 24DC/ 3 - 2941374

Please be informed that the data shown in this PDF Document is generated from our Online Catalog. Please find the complete data in the user's documentation. Our General Terms of Use for Downloads are valid (<http://phoenixcontact.com/download>)



Power solid-state relay terminal block, input: 24 V DC, output: 3 - 30 V DC/3 A, terminal block width: 6.2 mm

### Why buy this product

- EB-DIK insertion bridges
- Actuator version available
- Labeling and mounting with user-friendly modular terminal blocks
- Wear-free switching of up to 24 V DC/10 A or 240 V AC/800 mA
- Integrated output protective circuit
- Status indicator
- Integrated input circuit
- Zero voltage switch at AC output
- Electrical isolation between input and output at up to 2.5 kVrms



### Key Commercial Data

Packing unit	10 STK
GTIN	 4 017918 080396

### Technical data

#### Note

Utilization restriction	EMC: class A product, see manufacturer's declaration in the download area
-------------------------	---

#### Dimensions

Width	6.2 mm
Height	80 mm
Depth	56 mm

#### Ambient conditions

Ambient temperature (operation)	-20 °C ... 60 °C
---------------------------------	------------------

# Solid-state relay terminal block - DEK-OV- 24DC/ 24DC/ 3 - 2941374

## Technical data

### Ambient conditions

Ambient temperature (storage/transport)	-20 °C ... 70 °C
---	------------------

### Input data

Nominal input voltage $U_N$	24 V DC
Input voltage range in reference to $U_N$	0.8 ... 1.2
Switching threshold "0" signal in reference to $U_N$	$\leq 0.4$
Switching threshold "1" signal in reference to $U_N$	$\geq 0.8$
Typical input current at $U_N$	7 mA
Typical response time	40 $\mu$ s
Typical turn-off time	200 $\mu$ s
Operating voltage display	Yellow LED
Type of protection	Protection against polarity reversal
Transmission frequency	300 Hz
Power dissipation for nominal condition	0.6 W

### Output data

Output voltage range	3 V DC ... 30 V DC
Limiting continuous current	3 A (see derating curve)
Voltage drop at max. limiting continuous current	$\leq 0.2$ V
Output circuit	2-wire, floating
Type of protection	Protection against polarity reversal
	Surge protection
Protective circuit/component	Polarity protection diode

### Connection data, input side

Connection name	Input side
Connection method	Screw connection
Stripping length	8 mm
Screw thread	M3
Conductor cross section solid	0.2 mm <sup>2</sup> ... 2.5 mm <sup>2</sup>
Conductor cross section flexible	0.2 mm <sup>2</sup> ... 2.5 mm <sup>2</sup>
Conductor cross section AWG	24 ... 14
Torque	0.5 Nm

### Connection data, output side

Connection name	Output side
Connection method	Screw connection
Stripping length	8 mm
Screw thread	M3
Conductor cross section solid	0.2 mm <sup>2</sup> ... 2.5 mm <sup>2</sup>
Conductor cross section flexible	0.2 mm <sup>2</sup> ... 2.5 mm <sup>2</sup>
Conductor cross section AWG	24 ... 14
Torque	0.5 Nm

# Solid-state relay terminal block - DEK-OV- 24DC/ 24DC/ 3 - 2941374

## Technical data

### General

Test voltage input/output	2.5 kV AC
Mounting position	any
Assembly instructions	In rows with zero spacing
Operating mode	100% operating factor
Designation	Standards/regulations
Standards/regulations	IEC 60664
	EN 50178
	IEC 62103
Rated surge voltage/insulation	Basic insulation
Degree of pollution	2
Overvoltage category	III

### Standards and Regulations

Designation	Standards/regulations
Standards/regulations	IEC 60664
	EN 50178
	IEC 62103
Rated surge voltage/insulation	Basic insulation
Degree of pollution	2
Overvoltage category	III

## Classifications

### eCl@ss

eCl@ss 4.0	27371102
eCl@ss 4.1	27371102
eCl@ss 5.0	27371001
eCl@ss 5.1	27371001
eCl@ss 6.0	27371001
eCl@ss 7.0	27371001
eCl@ss 8.0	27371604

### ETIM

ETIM 2.0	EC001504
ETIM 3.0	EC001504
ETIM 4.0	EC001504
ETIM 5.0	EC001504

### UNSPSC

UNSPSC 6.01	30211916
UNSPSC 7.0901	39121542
UNSPSC 11	39121542

# Solid-state relay terminal block - DEK-OV- 24DC/ 24DC/ 3 - 2941374

## Classifications

### UNSPSC

UNSPSC 12.01	39121542
UNSPSC 13.2	39121542

## Approvals

### Approvals

---

### Approvals

### EAC / EAC

---

### Ex Approvals

---

### Approvals submitted

---

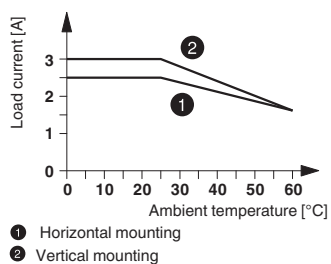
## Approval details

EAC

EAC

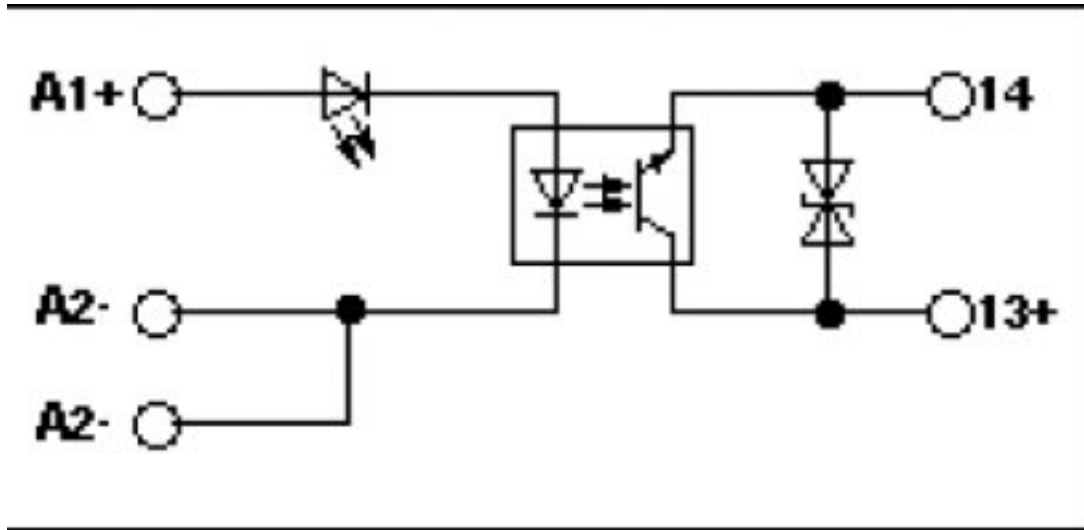
## Drawings

Diagram



## Solid-state relay terminal block - DEK-OV- 24DC/ 24DC/ 3 - 2941374

Circuit diagram



Phoenix Contact 2016 © - all rights reserved  
<http://www.phoenixcontact.com>

PHOENIX CONTACT GmbH & Co. KG  
Flachsmarktstr. 8  
32825 Blomberg  
Germany  
Tel. +49 5235 300  
Fax +49 5235 3 41200  
<http://www.phoenixcontact.com>



Below is a list of articles with direct links to our shop Electric Automation Network where you can see:

- Quote per purchase volume in real time.
- Online documentation and datasheets of all products.
- Estimated delivery time enquiry in real time.
- Logistics systems for the shipment of materials almost anywhere in the world.
- Purchasing management, order record and tracking of shipments.

To access the product, [click on the green button.](#)

<b>Product</b>	<b>Code</b>	<b>Reference</b>	<b>Product link</b>
Power solid-state relay terminal block, input: 24 V DC, output: 3 - 30 V DC/3 A, terminal block width: 6.2 mm	2941374	DEK-OV- 24DC/ 24DC/ 3	<a href="#">Buy on EAN</a>