



Automatización Eléctrica
Especialistas en Automatización

At the end of this document you will find links to products related to this catalog. You can go directly to our shop by clicking [HERE](#). [HERE](#)

Current transformer - PACT RCP-4000A-UIRO-PT-D95 - 2906234

Please be informed that the data shown in this PDF Document is generated from our Online Catalog. Please find the complete data in the user's documentation. Our General Terms of Use for Downloads are valid (<http://phoenixcontact.com/download>)



Set consisting of a 4-way signal conditioner with push-in connection technology and a Rogowski coil 300 mm in length/95 mm in diameter for AC current measurement on busbars and power lines. The signal conditioner outputs 8 different standard signals on the output side and has one switching output.

Key Commercial Data

Packing unit	1 STK
GTIN	 4 055626 048284

Technical data

Measuring transducer supply

Nominal supply voltage	24 V DC
Nominal supply voltage range	9.6 V DC ... 30 V DC
Power consumption	≤ 1 W (at I _{OUT} = 20 mA, 9.6 V DC, 600 Ω load)

Measuring coil input data

Frequency measuring range	40 Hz ... 20000 Hz
Position error	< 1 %
Linearity error	0.1 %

Measuring transducer input data

Measuring ranges (current)	100 A 250 A 400 A 630 A 1000 A 1500 A 2000 A 4000 A
Configurable/programmable	Via DIP switches

Measuring transducer signal input

Input signal (at 50 Hz)	100 mV (1000 A)
Input impedance	> 100 kΩ

Measuring coil signal output

Output signal (at 50 Hz)	100 mV (no load, at 1,000 A)
Output voltage (in no-load operation)	$V_{OUT} = M \cdot di/dt$
Output voltage (sinusoidal, in no-load operation)	100 mV ($V_{OUT} = 2 \cdot \pi \cdot M \cdot f \cdot I$ (M = 0.318 μH; example: At 50 Hz; I = 1,000 A))

Measuring transducer signal output

Current output signal	0 mA ... 0.02 A (via DIP switch)
-----------------------	----------------------------------

Current transformer - PACT RCP-4000A-UIRO-PT-D95 - 2906234

Technical data

Measuring transducer signal output

	4 mA ... 0.02 A (via DIP switch)
	0 mA ... 0.01 A (via DIP switch)
	2 mA ... 0.01 A (via DIP switch)
	0 mA ... 0.021 A (Can be set via software)
Voltage output signal	0 V ... 10 V (via DIP switch)
	2 V ... 10 V (via DIP switch)
	0 V ... 5 V (via DIP switch)
	1 V ... 5 V (via DIP switch)
	0 V ... 10.5 V (Can be set via software)
Load/output load current output	≤ 600 Ω (20 mA)

General data, measuring coil

Length of measuring coil	300 mm
Diameter of measuring coil	8.3 mm ±0.2 mm
Length of signal cable	3000 mm
Conductor structure signal line	2x 0.22 mm (Signal (tinned))
	1x 0.22 mm (Shielding (tinned))
Coil material	Elastollan
Housing material	PC
Insulation	double insulation
Rated insulation voltage	1000 V AC (rms CAT III)
	600 V AC (rms CAT IV)
Test voltage	10.45 kV (DC / 1 min.)
Basic accuracy	≤± 0.21 %
UL, USA / Canada	UL 61010 Recognized

General data for measuring transducer

Maximum transmission error	≤ 0.5 % (From the range end value)
Frequency range	16 Hz ... 1000 Hz
Housing material	PBT
Degree of protection	IP20
Test voltage	3 kV (50 Hz, 1 min.)
UL, USA / Canada	UL 508 Listed

General data

Standards/regulations	IEC 61010-1
	IEC 61010-2-032
Degree of pollution	2
Overvoltage category	II
Typical measuring error	< 1 %

Connection data

Connection name	Measuring transducer side
-----------------	---------------------------

Current transformer - PACT RCP-4000A-UIRO-PT-D95 - 2906234

Technical data

Connection data

Conductor cross section flexible min.	0.2 mm ²
Conductor cross section flexible max.	2.5 mm ²
Conductor cross section solid min.	0.2 mm ²
Conductor cross section solid max.	2.5 mm ²
Conductor cross section AWG min.	26
Conductor cross section AWG max.	12
Screw thread	M3
Connection method	Push-in connection
Stripping length	10 mm

Dimensions

Width	6.20 mm
Height	110.50 mm
Depth	120.50 mm

Ambient conditions

Ambient temperature (operation)	-30 °C ... 80 °C (Measuring coil)
	-40 °C ... 70 °C (Measuring transducer)
Ambient temperature (storage/transport)	-40 °C ... 80 °C (Measuring coil)
	-40 °C ... 85 °C (Measuring transducer)
Maximum altitude	> 4000 m
Measuring coil degree of protection	IP67 (not assessed by UL)

Standards and Regulations

Electromagnetic compatibility	Conformance with EMC Directive 2004/108/EC
Noise emission	EN 61000-6-4
Standards/regulations	IEC 61010-1
	IEC 61010-2-032
Rated insulation voltage	300 V
Degree of pollution	2
Overvoltage category	II
Electrical isolation	Reinforced insulation in accordance with IEC 61010-1
Conformance	CE-compliant

Classifications

eCl@ss

eCl@ss 5.1	27200303
eCl@ss 6.0	27200303
eCl@ss 8.0	27210123
eCl@ss 9.0	27210123

Current transformer - PACT RCP-4000A-UIRO-PT-D95 - 2906234

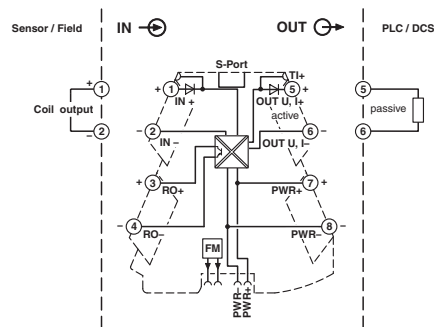
Classifications

ETIM

ETIM 4.0	EC002475
ETIM 5.0	EC002475

Drawings

Block diagram



Phoenix Contact 2016 © - all rights reserved
<http://www.phoenixcontact.com>

PHOENIX CONTACT GmbH & Co. KG
Flachsmarktstr. 8
32825 Blomberg
Germany
Tel. +49 5235 300
Fax +49 5235 3 41200
<http://www.phoenixcontact.com>



Below is a list of articles with direct links to our shop Electric Automation Network where you can see:

- Quote per purchase volume in real time.
- Online documentation and datasheets of all products.
- Estimated delivery time enquiry in real time.
- Logistics systems for the shipment of materials almost anywhere in the world.
- Purchasing management, order record and tracking of shipments.

To access the product, [click on the green button.](#)

Product	Code	Reference	Product link
Set consisting of a 4-way signal conditioner with push-in connection technology and a Rogowski coil 300 mm in length/95 mm in diameter for AC current measurement on busbars and power lines. The signal conditioner outputs 8 different standard signals on the output side and has one switching output.	2906234	PACT RCP-4000A- UIRO-PT-D95	Buy on EAN