



**Automatización Eléctrica**  
Especialistas en Automatización

At the end of this document you will find links to products related to this catalog. You can go directly to our shop by clicking [HERE](#). [HERE](#)

## Plug - MACX MCR-I20 - 2905680

Please be informed that the data shown in this PDF Document is generated from our Online Catalog. Please find the complete data in the user's documentation. Our General Terms of Use for Downloads are valid (<http://phoenixcontact.com/download>)



Connection terminal block for current signals, +20 mA ... -20 mA, for safe switching of limit values, in combination with MACX ...-T-UI... temperature transducers.

### Key Commercial Data

Packing unit	1 STK
GTIN	 4 046356 987172

### Technical data

#### General

Conformance / approvals	CE-compliant
-------------------------	--------------

#### Connection data

Conductor cross section flexible min.	0.2 mm <sup>2</sup>
Conductor cross section flexible max.	2.5 mm <sup>2</sup>
Conductor cross section solid min.	0.2 mm <sup>2</sup>
Conductor cross section solid max.	2.5 mm <sup>2</sup>
Conductor cross section AWG min.	24
Conductor cross section AWG max.	14
Screw thread	M3
Connection method	Screw connection

#### Ambient conditions

Ambient temperature (operation)	-20 °C ... 65 °C
Ambient temperature (storage/transport)	-40 °C ... 85 °C
Altitude	≤ 2000 m
Permissible humidity (operation)	typ. 5 % ... 95 % (non-condensing)

#### Standards and Regulations

Conformance	CE-compliant
-------------	--------------

# Plug - MACX MCR-I20 - 2905680

## Classifications

eCl@ss

eCl@ss 5.1	27210121
eCl@ss 6.0	27210121
eCl@ss 8.0	27379202

ETIM

ETIM 5.0	EC002027
----------	----------

## Approvals

Approvals

---

Approvals

EAC

---

Ex Approvals

---

Approvals submitted

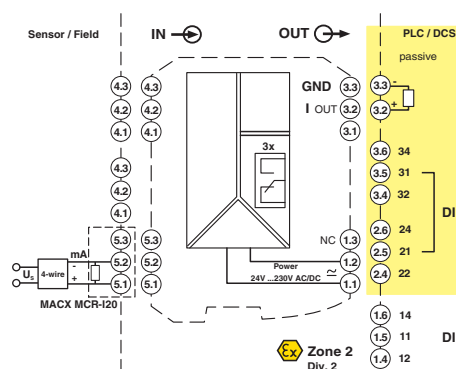
---

Approval details

EAC
-----

## Drawings

Block diagram



Phoenix Contact 2016 © - all rights reserved  
<http://www.phoenixcontact.com>

PHOENIX CONTACT GmbH & Co. KG  
Flachmarktstr. 8  
32825 Blomberg  
Germany  
Tel. +49 5235 300  
Fax +49 5235 3 41200  
<http://www.phoenixcontact.com>

Below is a list of articles with direct links to our shop Electric Automation Network where you can see:

- Quote per purchase volume in real time.
- Online documentation and datasheets of all products.
- Estimated delivery time enquiry in real time.
- Logistics systems for the shipment of materials almost anywhere in the world.
- Purchasing management, order record and tracking of shipments.

To access the product, [click on the green button.](#)

<b>Product</b>	<b>Code</b>	<b>Reference</b>	<b>Product link</b>
Connection terminal block for current signals, +20 mA ... -20 mA, for safe switching of limit values, in combination with MACX ...-T-UI... temperature transducers.	2905680	MACX MCR-I20	<a href="#">Buy on EAN</a>