



Automatización Eléctrica
Especialistas en Automatización

At the end of this document you will find links to products related to this catalog. You can go directly to our shop by clicking HERE. [HERE](#)

Repeater power supply - MACX PL-RPSSI-2I - 2904961

Please be informed that the data shown in this PDF Document is generated from our Online Catalog. Please find the complete data in the user's documentation. Our General Terms of Use for Downloads are valid (<http://phoenixcontact.com/download>)



Measuring transducer power supply and input signal conditioner, HART-transparent. Transfers supplied or active 4 - 20 mA electrically isolated signals from the field to two loads. 4-way electrical isolation, PLd



Key Commercial Data

Packing unit	1 STK
GTIN	 4 046356 904537

Technical data

Note

Utilization restriction	EMC: class A product, see manufacturer's declaration in the download area
-------------------------	---

Dimensions

Width	12.5 mm
Height	99 mm
Depth	114.5 mm

Ambient conditions

Ambient temperature (operation)	-20 °C ... 60 °C (Any mounting position)
Ambient temperature (storage/transport)	-40 °C ... 80 °C
Maximum altitude	≤ 2000 m
Permissible humidity (operation)	10 % ... 95 % (non-condensing)
Noise immunity	EN 61000-6-2 When being exposed to interference, there may be minimal deviations.
Degree of protection	IP20

Input data

Signal input	Repeater power supply operation
Current input signal	4 mA ... 0.02 A

Repeater power supply - MACX PL-RPSSI-2I - 2904961

Technical data

Input data

Transmitter supply voltage	> 21.5 V (20 mA)
	> 21 V (23 mA)
Signal input	Signal conditioner operation
Current input signal	4 mA ... 0.02 A
Voltage drop	< 3.9 V

Output data

Signal output	Repeater power supply operation
Current output signal	4 mA ... 0.02 A (active)
Load/output load current output	< 450 Ω (20 mA)
	< 380 Ω (23 mA)
Output ripple	< 20 mV _{rms}
Output behavior in the event of an error	0 mA (Cable break in the input)
	0 mA (Cable short-circuit in the input)
Signal output	Signal conditioner operation
Current output signal	4 mA ... 0.02 A (active)
Load/output load current output	< 450 Ω (20 mA)
	< 380 Ω (23 mA)
Output ripple	< 20 mV _{rms}
Output behavior in the event of an error	0 mA (Cable break in the input)
	≥ 23 mA (Cable short-circuit in the input)

Power supply

Designation	Repeater power supply operation
Supply voltage range	19.2 V DC ... 30 V DC (24 V DC -20%...+25%)
Max. current consumption	< 75 mA (24 V DC / 20 mA)
Power consumption	< 1.45 W (24 V DC / 20 mA)

Connection data

Conductor cross section solid min.	0.2 mm ²
Conductor cross section solid max.	2.5 mm ²
Conductor cross section flexible min.	0.2 mm ²
Conductor cross section flexible max.	2.5 mm ²
Conductor cross section AWG min.	24
Conductor cross section AWG max.	14
Stripping length	7 mm
Screw thread	M3
Connection method	Screw connection
Tightening torque, min	0.5 Nm
Tightening torque max	0.6 Nm

General

No. of channels	1
-----------------	---

Repeater power supply - MACX PL-RPSSI-2I - 2904961

Technical data

General

Maximum transmission error	< 0.1 % (of final value)
Transmission error, typical	< 0.05 % (of final value)
Maximum temperature coefficient	< 0.01 %/K
Step response (10-90%)	< 1.3 ms (for 4 mA ... 20 mA step)
Status display	Green LED (PWR supply voltage)
Flammability rating according to UL 94	V0
Electromagnetic compatibility	Conformance with EMC Directive 2004/108/EC
Housing material	PA 66-FR
Color	yellow
Designation	Input/output/power supply
Electrical isolation	300 V _{rms} (Rated insulation voltage (overvoltage category II; degree of pollution 2, safe isolation as per EN 61010-1))
	2.5 kV (50 Hz, 1 min., test voltage)
Designation	Output 1/output 2
Electrical isolation	1.5 kV AC (50 Hz, 1 min., test voltage)
Conformance	CE-compliant, additionally EN 61326
ATEX	# II 3 G Ex nA IIC T4 Gc X
UL, USA / Canada	UL 61010 Listed
	Class I, Div. 2, Groups A, B, C, D T4
	Class I, Zone 2, Group IIC T4

Data communication (bypass)

HART function	Yes
Protocols supported	HART

EMC data

Designation	Electromagnetic RF field
Standards/regulations	EN 61000-4-3
Typical deviation from the measuring range final value	3 %
Designation	Fast transients (burst)
Standards/regulations	EN 61000-4-4
Typical deviation from the measuring range final value	3 %
Designation	Conducted interferences
Standards/regulations	EN 61000-4-6
Typical deviation from the measuring range final value	3 %

Standards and Regulations

Electromagnetic compatibility	Conformance with EMC Directive 2004/108/EC
Designation	Electromagnetic RF field
Standards/regulations	EN 61000-4-3
	EN 61000-4-4
Designation	Conducted interferences
Standards/regulations	EN 61000-4-6

Repeater power supply - MACX PL-RPSSI-2I - 2904961

Technical data

Standards and Regulations

Flammability rating according to UL 94	V0
Conformance	CE-compliant, additionally EN 61326
ATEX	# II 3 G Ex nA IIC T4 Gc X
UL, USA / Canada	UL 61010 Listed
	Class I, Div. 2, Groups A, B, C, D T4
	Class I, Zone 2, Group IIC T4

Classifications

eCl@ss

eCl@ss 5.1	27210120
eCl@ss 6.0	27061801
eCl@ss 8.0	27210120

ETIM

ETIM 4.0	EC002653
ETIM 5.0	EC002653

Approvals

Approvals

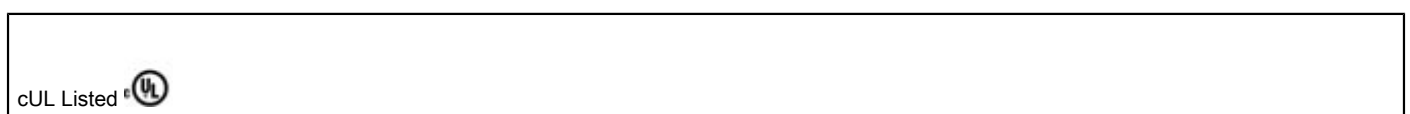
Approvals

UL Listed / cUL Listed / GL / cULus Listed

Ex Approvals

Approvals submitted

Approval details



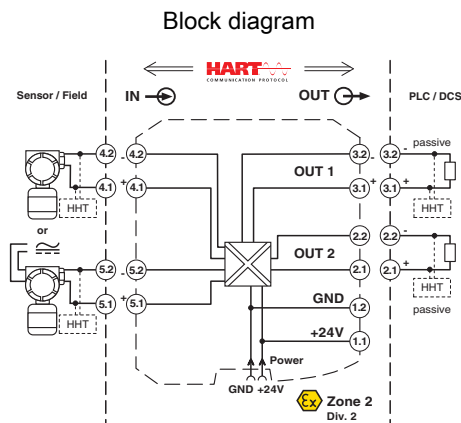
Repeater power supply - MACX PL-RPSSI-2I - 2904961

Approvals

GL

cULus Listed

Drawings



Phoenix Contact 2016 © - all rights reserved
<http://www.phoenixcontact.com>

PHOENIX CONTACT GmbH & Co. KG
Flachsmarktstr. 8
32825 Blomberg
Germany
Tel. +49 5235 300
Fax +49 5235 3 41200
<http://www.phoenixcontact.com>



Below is a list of articles with direct links to our shop Electric Automation Network where you can see:

- Quote per purchase volume in real time.
- Online documentation and datasheets of all products.
- Estimated delivery time enquiry in real time.
- Logistics systems for the shipment of materials almost anywhere in the world.
- Purchasing management, order record and tracking of shipments.

To access the product, [click on the green button.](#)

Product	Code	Reference	Product link
Measuring transducer power supply and input signal conditioner, HART-transparent. Transfers supplied or active 4 - 20 mA electrically isolated signals from the field to two loads. 4-way electrical isolation, PLd	2904961	MACX PL-RPSSI-2I	Buy on EAN