



**Automatización Eléctrica**  
Especialistas en Automatización

At the end of this document you will find links to products related to this catalog. You can go directly to our shop by clicking [HERE](#). [HERE](#)

## Patch panels - FL-PP-RJ45-SCC/SC045 - 2904577

Please be informed that the data shown in this PDF Document is generated from our Online Catalog. Please find the complete data in the user's documentation. Our General Terms of Use for Downloads are valid (<http://phoenixcontact.com/download>)



Cable sharing module, two RJ45 sockets with Ethernet assignment (cable outlet on the top) to 8 spring-cage connection terminal blocks, CAT5e, 10/100 Mbps, DIN rail mounting, IP20, option of shield contacting on DIN rail via jumpers

### Why buy this product

- Safe shield connection to ground potential
- CAT5e
- 10/100 Mbps
- Mounting on a DIN rail
- Cable sharing adapter
- Y adapter
- Easy use of one cable for various services
- Optional shield connection via jumpers



### Key Commercial Data

Packing unit	1 STK
GTIN	 4 046356 864541

### Technical data

#### Dimensions

Width	56 mm
Height	90 mm
Depth	51 mm

#### Ambient conditions

Ambient temperature (operation)	-10 °C ... 50 °C
Degree of protection	IP20

#### General

Standards/regulations	DIN EN 50178
Mounting position	any
Net weight	114 g

# Patch panels - FL-PP-RJ45-SCC/SC045 - 2904577

## Technical data

### General

Color	green
Degree of pollution	2
Overvoltage category	II

### Serial interface

Interface 1	Ethernet interface, 10/100BASE-T(X) in acc. with IEEE 802.3u
Connection method	Spring-cage connection
Transmission length	100 m (including patch cables)
Conductor cross section solid min.	0.2 mm <sup>2</sup>
Conductor cross section solid max.	1.5 mm <sup>2</sup>
Conductor cross section flexible min.	0.2 mm <sup>2</sup>
Conductor cross section flexible max.	1 mm <sup>2</sup>
Conductor cross section AWG min.	24
Conductor cross section AWG max.	16
Pin assignment	1,2,3,6 4,5,7,8
Serial transmission speed	10/100 Mbps
Interface 2	Ethernet interface, 10/100BASE-T(X) in acc. with IEEE 802.3u
Connection method	RJ45 CAT5e
Pin assignment	1,2,3,6 1,2,3,6

### Standards and Regulations

Designation	Air clearances and creepage distances
Standards/regulations	DIN EN 50178
Rated insulation voltage	50 V
Insulation	Basic insulation
Degree of pollution	2
Overvoltage category	II

### Classifications

#### eCl@ss

eCl@ss 4.0	27250591
eCl@ss 4.1	27230207
eCl@ss 5.0	27230207
eCl@ss 5.1	27230207
eCl@ss 6.0	27230207
eCl@ss 7.0	27230207
eCl@ss 8.0	19170112

# Patch panels - FL-PP-RJ45-SCC/SC045 - 2904577

## Classifications

### ETIM

ETIM 4.0	EC001128
ETIM 5.0	EC001128

### UNSPSC

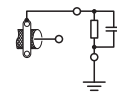
UNSPSC 6.01	30211506
UNSPSC 7.0901	39121008
UNSPSC 11	39121008
UNSPSC 12.01	39121008
UNSPSC 13.2	39121008

## Drawings

Circuit diagram



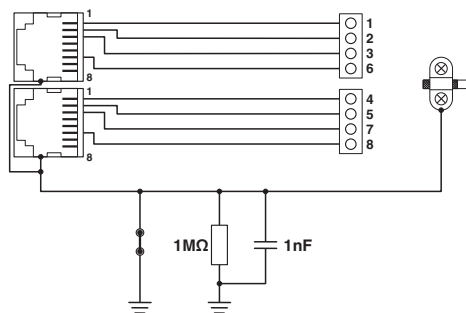
Circuit diagram



Circuit diagram



Circuit diagram



Phoenix Contact 2016 © - all rights reserved  
<http://www.phoenixcontact.com>

PHOENIX CONTACT GmbH & Co. KG  
Flachsmarktstr. 8  
32825 Blomberg  
Germany  
Tel. +49 5235 300  
Fax +49 5235 3 41200  
<http://www.phoenixcontact.com>



Below is a list of articles with direct links to our shop Electric Automation Network where you can see:

- Quote per purchase volume in real time.
- Online documentation and datasheets of all products.
- Estimated delivery time enquiry in real time.
- Logistics systems for the shipment of materials almost anywhere in the world.
- Purchasing management, order record and tracking of shipments.

To access the product, [click on the green button.](#)

Product	Code	Reference	Product link
Cable sharing module, two RJ45 sockets with Ethernet assignment (cable outlet on the top) to 8 spring-cage connection terminal blocks, CAT5e, 10/100 Mbps, DIN rail mounting, IP20, option of shield contacting on DIN rail via jumpers	2904577	FL-PP-RJ45-SCC/SC045	<a href="#">Buy on EAN</a>