



**Automatización Eléctrica**  
Especialistas en Automatización

At the end of this document you will find links to products related to this catalog. You can go directly to our shop by clicking [HERE](#). [HERE](#)

## Adapter - EM SWD-ADAPTER - 2902776

Please be informed that the data shown in this PDF Document is generated from our Online Catalog. Please find the complete data in the user's documentation. Our General Terms of Use for Downloads are valid (<http://phoenixcontact.com/download>)



SmartWire DT™ adapter for CONTACTRON hybrid motor starters, with "Enable" input for safe shutdown up to PLe/SIL3.

### Key Commercial Data

Packing unit	1 STK
GTIN	 4 046356 701037

### Technical data

#### Dimensions

Width	22.5 mm
Height	165 mm
Depth	114.5 mm

#### Ambient conditions

Ambient temperature (operation)	-25 °C ... 55 °C
Ambient temperature (storage/transport)	-40 °C ... 80 °C

#### Input data

Input name	Enable input
Rated actuating voltage $U_C$	24 V DC
Switching level "High"	> 19.2 V DC
Switching level "Low"	< 9.6 V DC
Switching level	dependent on the switching device
Rated actuating current $I_C$	5 mA
Status display	Green LED (SmartWire bus), green LED (enable OK)

#### Data interface

Designation	SmartWire™-DT
Data rate	125 kBd / 250 kBd
Connection method	Pin strip, 8-pos.
Current consumption $I_{AUX}$	120 mA
Current consumption $I_{POW}$	25 mA

# Adapter - EM SWD-ADAPTER - 2902776

## Technical data

### Connection data

Connection name	Enable input
Connection method	Push-in connection
Stripping length	10 mm
Conductor cross section solid	0.14 mm <sup>2</sup> ... 1 mm <sup>2</sup>
Conductor cross section flexible	0.14 mm <sup>2</sup> ... 1 mm <sup>2</sup>
Conductor cross section AWG	26 ... 18
Number of connections	1
Number of positions	4

### Anschlussdaten Busverbindung

Connection name	SmartWire™-DT
Connection method	Pin strip
Number of connections	1
Number of positions	8
Note	For SmartWire-DT device plug SWD4-8SF2-5 PXC

### General

Degree of pollution	2
Overvoltage category	III
Operating mode	100% operating factor
Degree of protection	IP20
Color	green
Mounting position	any
Assembly instructions	On CONTACTRON hybrid motor starter

### Standards and Regulations

Standards/regulations	IEC 60947-1
	EN 60947-1
Degree of pollution	2
Overvoltage category	III

## Classifications

### eCl@ss

eCl@ss 4.0	27142001
eCl@ss 4.1	27142001
eCl@ss 5.0	27142001
eCl@ss 5.1	27141140
eCl@ss 6.0	27141140
eCl@ss 7.0	27141140
eCl@ss 8.0	27379201

# Adapter - EM SWD-ADAPTER - 2902776

## Classifications

### ETIM

ETIM 3.0	EC000035
ETIM 4.0	EC000489
ETIM 5.0	EC002498

### UNSPSC

UNSPSC 6.01	30211915
UNSPSC 7.0901	39121514
UNSPSC 11	39121514
UNSPSC 12.01	39121514
UNSPSC 13.2	39121514

## Approvals

### Approvals

---

Approvals

UL Listed / cUL Listed / cULus Listed

---

Ex Approvals

---

Approvals submitted

---

### Approval details

UL Listed

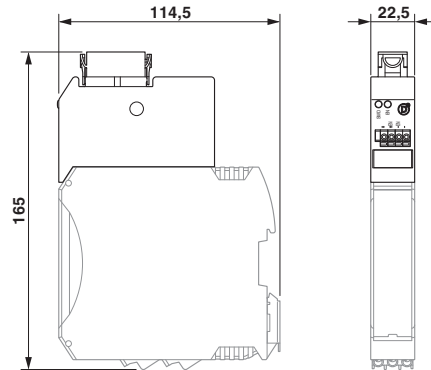
cUL Listed

cULus Listed

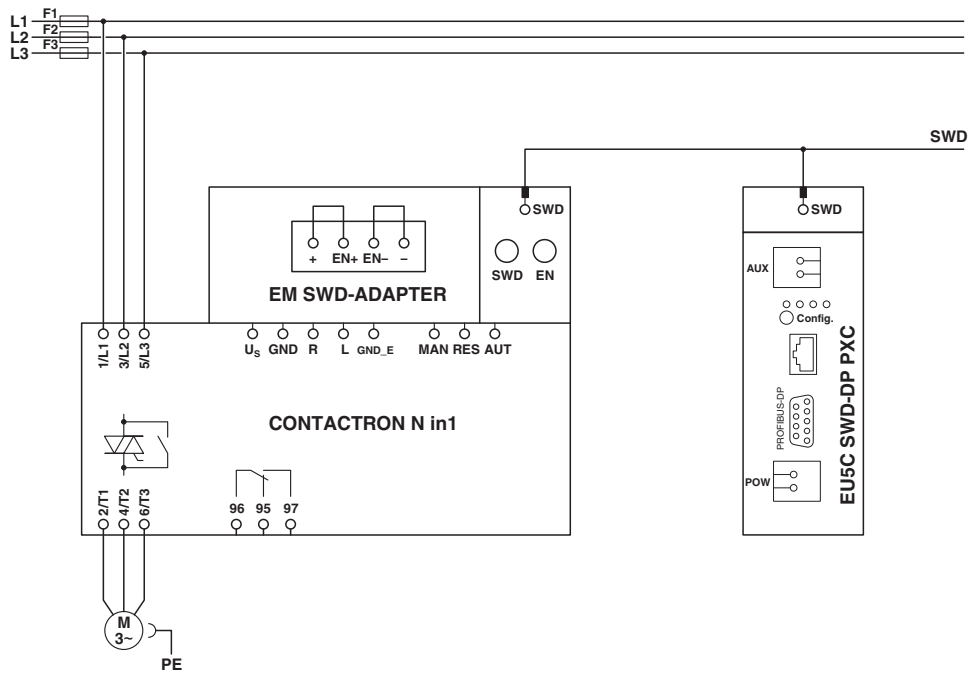
## Drawings

# Adapter - EM SWD-ADAPTER - 2902776

Dimensional drawing



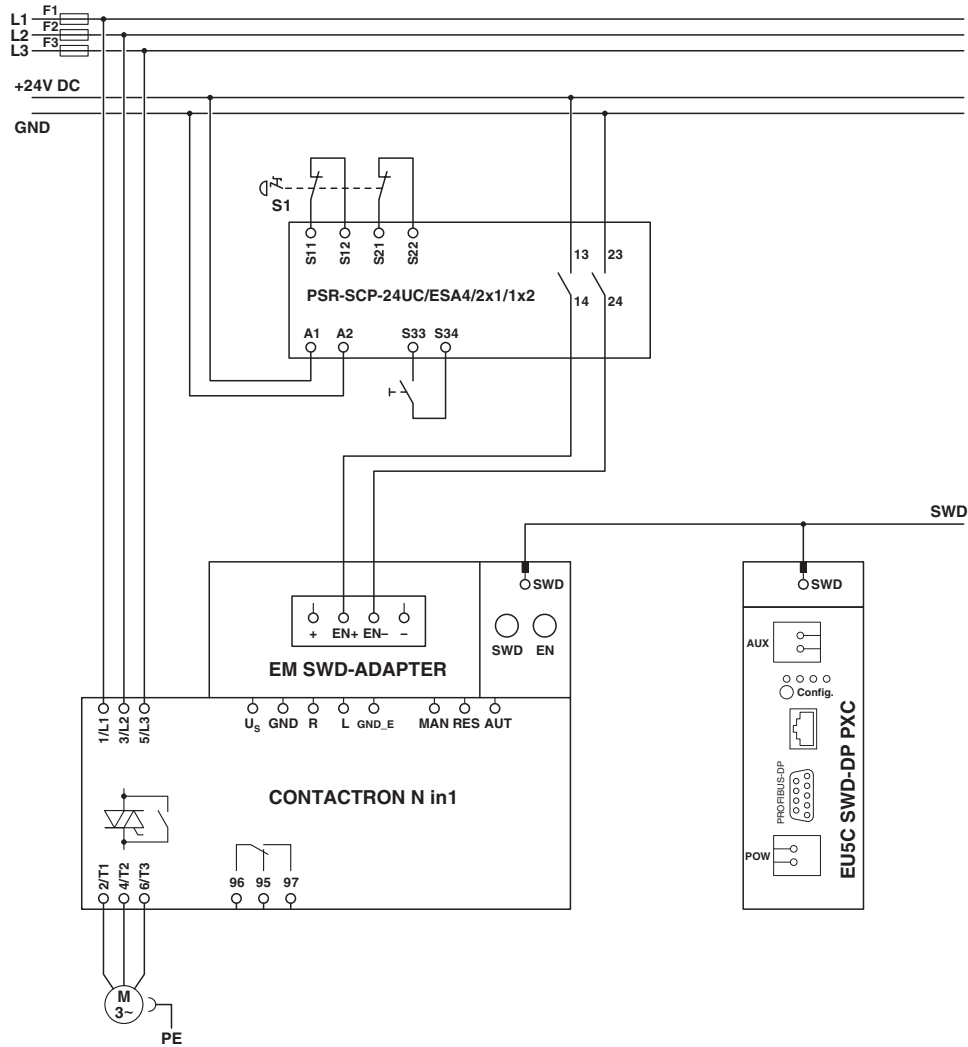
Circuit diagram



Wiring example without EMERGENCY STOP

# Adapter - EM SWD-ADAPTER - 2902776

Circuit diagram



EMERGENCY STOP wiring example (two-channel)

Phoenix Contact 2016 © - all rights reserved  
<http://www.phoenixcontact.com>

PHOENIX CONTACT GmbH & Co. KG  
 Flachsmarktstr. 8  
 32825 Blomberg  
 Germany  
 Tel. +49 5235 300  
 Fax +49 5235 3 41200  
<http://www.phoenixcontact.com>



**Automatización Eléctrica**  
Especialistas en Automatización

Below is a list of articles with direct links to our shop Electric Automation Network where you can see:

- Quote per purchase volume in real time.
- Online documentation and datasheets of all products.
- Estimated delivery time enquiry in real time.
- Logistics systems for the shipment of materials almost anywhere in the world.
- Purchasing management, order record and tracking of shipments.

To access the product, [click on the green button.](#)

<b>Product</b>	<b>Code</b>	<b>Reference</b>	<b>Product link</b>
SmartWire DT™ adapter for CONTACTRON hybrid motor starters, with "Enable" input for safe shutdown up to PLe/SIL3.	2902776	EM SWD-ADAPTER	<a href="#">Buy on EAN</a>