



Automatización Eléctrica
Especialistas en Automatización

At the end of this document you will find links to products related to this catalog. You can go directly to our shop by clicking [HERE](#). [HERE](#)

D-SUB bus connector - SUBCON-PLUS-CAN/90X/PG/M12 - 2902730

Please be informed that the data shown in this PDF Document is generated from our Online Catalog. Please find the complete data in the user's documentation. Our General Terms of Use for Downloads are valid (<http://phoenixcontact.com/download>)

D-SUB plug, 9-pos., socket, with PG-D-SUB pin, assignment: 2, 3, 5, 6, 7; 9; two M12 cable glands (A-coded) under 90°. Bus system: CAN, CANopen®. Termination resistor via separate M12 terminator. Long version; S7-compatible.



The figure shows version

Why buy this product

- Easy startup, plug and play
- Error-free installation, particularly in standard machine production
- Quick connection thanks to M12-SPEEDCON fast locking system
- Low weight
- CANopen®
- Termination using M12 termination resistor
- Version with programming connection
- Adapter between IP20 and IP67 environments
- Through-contacted shielding from M12 to D-SUB



Key Commercial Data

Packing unit	1 STK
GTIN	 4 046356 672542

Technical data

Dimensions

Width	16 mm
Height	41 mm
Length	93 mm

Ambient conditions

Ambient temperature (operation)	-30 °C ... 80 °C
Ambient temperature (storage/transport)	-40 °C ... 85 °C
Ambient temperature (assembly)	-20 °C ... 80 °C
Permissible humidity (operation)	10 % ... 75 % (At +25°C, non-condensing)

D-SUB bus connector - SUBCON-PLUS-CAN/90X/PG/M12 - 2902730

Technical data

Ambient conditions

Altitude	5000 m (For restrictions see manufacturer's declaration)
----------	--

General

Bus system	CAN, CANopen, SafetyBus-P
Signal	CAN
	CANopen®
SUBCON fixing screws	4-40 UNC
Tightening torque	0.4 Nm
Housing material	Polyamide
Pin assignment	2, 3, 5, 7, 9
MTTF	6706 Years (SN 29500 standard, temperature 25°C, operating cycle 21 % (5 days a week, 8 hours a day))
	1817 Years (SN 29500 standard, temperature 40 °C, operating cycle 34.25 % (5 days a week, 12 hours a day))
	155 Years (SN 29500 standard, temperature 40°C, operating cycle 100 % (7 days a week, 24 hours a day))

Connection data

Connection	D-SUB connection
Number of positions	9
Connection method	D-SUB socket
Termination resistor	separately via M12 termination resistor
Connection	Programming connection
Number of positions	9
Connection method	D-SUB connector
Connection	M12 plug
Number of positions	5
Connection method	M12 connector, A-coded
Torque	0.4 Nm
Connection	M12 socket
Number of positions	5
Connection method	M12 connector, A-coded
Torque	0.4 Nm

Standards and Regulations

ATEX	# II 3 G Ex nA IIC T4 Gc X
------	----------------------------

Classifications

eCl@ss

eCl@ss 4.0	27140816
eCl@ss 4.1	27140816
eCl@ss 5.0	27143424

D-SUB bus connector - SUBCON-PLUS-CAN/90X/PG/M12 - 2902730

Classifications

eCl@ss

eCl@ss 5.1	27143424
eCl@ss 6.0	27143424
eCl@ss 7.0	27440209
eCl@ss 8.0	27440302

ETIM

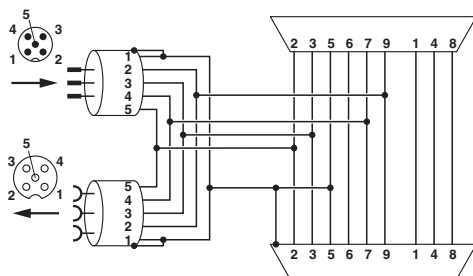
ETIM 3.0	EC001132
ETIM 4.0	EC001132
ETIM 5.0	EC001132

UNSPSC

UNSPSC 6.01	30211802
UNSPSC 7.0901	39121402
UNSPSC 11	39121402
UNSPSC 12.01	39121402
UNSPSC 13.2	39121402

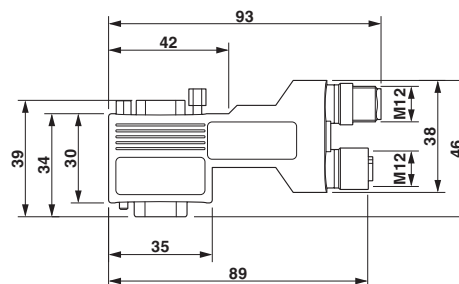
Drawings

Block diagram



SUBCON-PLUS-CAN/...M12 function block diagram

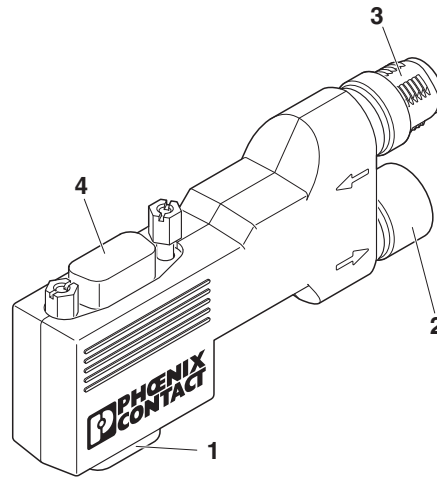
Dimensional drawing



SUBCON-PLUS...90X...M12 dimensional drawing, long 90° version

D-SUB bus connector - SUBCON-PLUS-CAN/90X/PG/M12 - 2902730

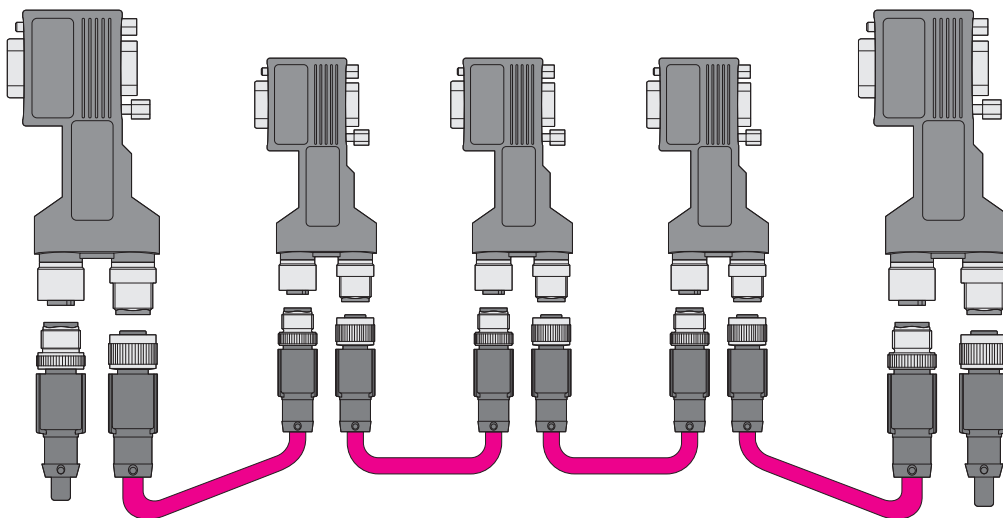
Schematic diagram



Function elements

- 1 = D-SUB 9
- 2 = Outgoing M12 connection
- 3 = Incoming M12 connection
- 4 = D-SUB PG connection (depending on the version)

Application drawing



Bus/Line structure

Phoenix Contact 2016 © - all rights reserved
<http://www.phoenixcontact.com>

PHOENIX CONTACT GmbH & Co. KG
Flachmarktstr. 8
32825 Blomberg
Germany
Tel. +49 5235 300
Fax +49 5235 3 41200
<http://www.phoenixcontact.com>



Below is a list of articles with direct links to our shop Electric Automation Network where you can see:

- Quote per purchase volume in real time.
- Online documentation and datasheets of all products.
- Estimated delivery time enquiry in real time.
- Logistics systems for the shipment of materials almost anywhere in the world.
- Purchasing management, order record and tracking of shipments.

To access the product, [click on the green button.](#)

Product	Code	Reference	Product link
D-SUB plug, 9-pos., socket, with PG-D-SUB pin, assignment: 2, 3, 5, 6, 7; 9; two M12 cable glands (A-coded) under 90°. Bus system: CAN, CANopen®. Termination resistor via separate M12 terminator. Long version; S7-compatible.	2902730	SUBCON-PLUS-CAN/90X/PG/M12	Buy on EAN