



Automatización Eléctrica
Especialistas en Automatización

At the end of this document you will find links to products related to this catalog. You can go directly to our shop by clicking HERE. [HERE](#)

Type 3 surge protection device - MNT-TAE D - 2882381

Please be informed that the data shown in this PDF Document is generated from our Online Catalog. Please find the complete data in the user's documentation. Our General Terms of Use for Downloads are valid (<http://phoenixcontact.com/download>)

Socket attachment plug with surge protection for the power supply and signal connection of a termination device with analog or digital telecommunications interface (VDSL up to 46 Mbps). Cable is included.



Why buy this product

- Easy operation
- Thermal monitoring of the protective circuit
- Compact protection for termination devices
- Green LED - operating indicator for the power supply



Key Commercial Data

Packing unit	1 STK
GTIN	 4 046356 073455

Technical data

Dimensions

Height	103 mm
Width	63 mm
Depth	78 mm

Ambient conditions

Ambient temperature (operation)	-25 °C ... 75 °C
Ambient temperature (storage/transport)	-25 °C ... 75 °C

General

Housing material	PA 6
Flammability rating according to UL 94	V-0
Standards for clearances and creepage distances	VDE 0110-1
	IEC 60664-1
	IEC 61643-1
	EN 61643-11
Color	jet black RAL 9005

Type 3 surge protection device - MNT-TAE D - 2882381

Technical data

General

For country-specific use in	D
Mounting type	Plugging into the mains socket
Type	Attachment plug
Direction of action	L/N-PE & Signal Line-Earth Ground

Protective circuit, power supply

IEC test classification	III
	T3
EN type	T3
Nominal voltage U_N	230 V AC
Arrester rated voltage U_C (L-N)	275 V AC
Arrester rated voltage U_C (L-PE)	360 V AC
Arrester rated voltage U_C (N-PE)	360 V AC
Nominal frequency f_N	50 Hz (60 Hz)
Standby power consumption P_C	≤ 1 VA
Residual current I_{PE}	≤ 5 μ A
Nominal discharge current I_n (8/20) μ s	3 kA (> 5x)
Combination wave U_{OC}	4 kV
Energy absorption symmetrical	140 J (L-N)
Energy absorption, asymmetrical	220 J (L(N)-PE)
Voltage protection level U_p (L-N)	≤ 1.2 kV
Voltage protection level U_p (L-PE)	≤ 1.5 kV
Voltage protection level U_p (N-PE)	≤ 1.5 kV
Response time (L-N)	≤ 25 ns
Response time (L-PE)	≤ 100 ns
Response time (N-PE)	≤ 100 ns
Surge protection fault message	optical
Max. required back-up fuse	16 A (gG / B / C)

Connection (protective circuit, power supply)

Connection method	Grounding plug/socket
Connection type IN	Grounding plug
Connection type OUT	Grounding socket

Protective circuit, information technology

Arrester rated voltage U_C (Core-Core)	200 V DC
Arrester rated voltage U_C (Core-Earth)	380 V DC
Nominal current I_N	1.5 A (25 °C)
Operating effective current I_C at U_C	≤ 150 μ A
Residual current I_{PE}	≤ 2 μ A
Insulation resistance R_{iso}	≥ 1 M Ω

Type 3 surge protection device - MNT-TAE D - 2882381

Technical data

Protective circuit, information technology

	$\geq 1 \text{ G}\Omega$
Nominal discharge current I_n (8/20) μs (Core-Core)	1 kA
Nominal discharge current I_n (8/20) μs (Core-Earth)	2.5 kA
Max. discharge current I_{max} (8/20) μs	2.5 kA
Voltage protection level U_p (core-core)	$\leq 460 \text{ V}$ (C2 - 1 kA)
	$\leq 350 \text{ V}$ (C3 - 25 A)
Voltage protection level U_p (core-ground)	$\leq 900 \text{ V}$ (C2 - 2 kA)
	$\leq 900 \text{ V}$ (C3 - 100 A)
Response time t_A (Core-Core)	$\leq 25 \text{ ns}$
Response time t_A (Core-Earth)	$\leq 100 \text{ ns}$
Cut-off frequency f_g (3 dB), sym. in 100 Ohm system	typ. 4 MHz
Cut-off frequency f_g (3 dB), sym. in 150 Ohm system	typ. 3 MHz
Cut-off frequency f_g (3 dB), sym. in 600 Ohm system	typ. 700 kHz
Capacity (Core-Core)	typ. 1 nF
Capacity (Core-Earth)	typ. 5 pF
Output voltage limitation at 1 kV/ μs (wire-wire)	$\leq 360 \text{ V}$
Residual voltage at I_n (conductor-conductor)	$\leq 500 \text{ V}$
Residual voltage at I_n (conductor-ground)	$\leq 30 \text{ V}$
Residual voltage with I_{an} (10/1000) μs (conductor-conductor)	$\leq 35 \text{ V}$
Residual voltage with I_{an} (10/1000) μs (conductor-ground)	$\leq 35 \text{ V}$
Impulse durability (conductor-conductor)	C2 - 2 kV / 1 kA
	C3 - 25 A
Impulse durability (conductor-ground)	C2 - 4 kV/2 kA
	C3 - 100 A
	D1 - 500 A
Alternating current carrying capacity (conductor-conductor)	250 mA - 1 s
Alternating current carrying capacity (conductor-ground)	10 A - 1 s
Pulse reset time (conductor-conductor)	$\leq 10 \text{ ms}$

Power supply, general

Connection method	RJ12-/TAE 6
Connection type IN	RJ12 female connector
Connection type OUT	TAE 6 socket

Connection, equipotential bonding, information technology

Connection method	Via protective contact plug
-------------------	-----------------------------

Standards (protective circuit, information technology)

IEC test classification	C1
	C2
	C3

Type 3 surge protection device - MNT-TAE D - 2882381

Technical data

Standards (protective circuit, information technology)

	D1
--	----

Classifications

eCl@ss

eCl@ss 4.0	27140201
eCl@ss 4.1	27130801
eCl@ss 5.0	27130801
eCl@ss 5.1	27130801
eCl@ss 6.0	27130810
eCl@ss 7.0	27130810
eCl@ss 8.0	27130810

ETIM

ETIM 2.0	EC001473
ETIM 3.0	EC001473
ETIM 4.0	EC001473
ETIM 5.0	EC001473

UNSPSC

UNSPSC 6.01	30212010
UNSPSC 7.0901	39121610
UNSPSC 11	39121610
UNSPSC 12.01	39121610
UNSPSC 13.2	39121620

Approvals

Approvals

Approvals

EAC

Ex Approvals

Approvals submitted

Approval details

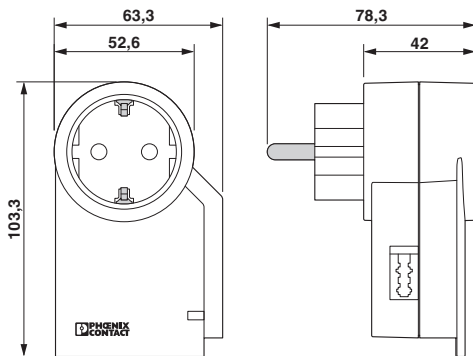
Type 3 surge protection device - MNT-TAE D - 2882381

Approvals

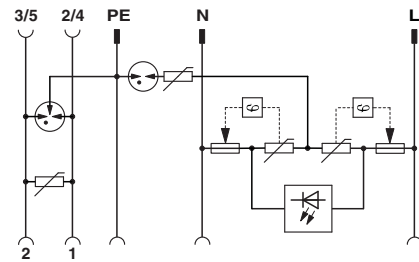
EAC

Drawings

Dimensional drawing



Circuit diagram



Phoenix Contact 2016 © - all rights reserved
<http://www.phoenixcontact.com>

PHOENIX CONTACT GmbH & Co. KG
Flachsmarktstr. 8
32825 Blomberg
Germany
Tel. +49 5235 300
Fax +49 5235 3 41200
<http://www.phoenixcontact.com>



Below is a list of articles with direct links to our shop Electric Automation Network where you can see:

- Quote per purchase volume in real time.
- Online documentation and datasheets of all products.
- Estimated delivery time enquiry in real time.
- Logistics systems for the shipment of materials almost anywhere in the world.
- Purchasing management, order record and tracking of shipments.

To access the product, [click on the green button](#).

Product	Code	Reference	Product link
Socket attachment plug with surge protection for the power supply and signal connection of a termination device with analog or digital telecommunications interface (VDSL up to 46 Mbps). Cable is included.	2882381	MNT-TAE D	Buy on EAN