



**Automatización Eléctrica**  
Especialistas en Automatización

At the end of this document you will find links to products related to this catalog. You can go directly to our shop by clicking [HERE](#). [HERE](#)

## Type 3 surge protection device - MNT-ISDN D/WH - 2882349

Please be informed that the data shown in this PDF Document is generated from our Online Catalog. Please find the complete data in the user's documentation. Our General Terms of Use for Downloads are valid (<http://phoenixcontact.com/download>)

Socket attachment plug with surge protection for the power supply unit and ISDN connection for telecommunications terminal equipment. Cable is provided.



### Why buy this product

- Easy operation
- On/off button in the socket strip
- Combined power supply and ISDN protection
- Compact protection for termination devices
- Thermal monitoring of the protective circuit
- Green LED - operating indicator for the power supply
- Connection to telecommunications socket using separate cable



### Key Commercial Data

Packing unit	1 STK
GTIN	 4 046356 073424

### Technical data

#### Dimensions

Height	103 mm
Width	63 mm
Depth	78 mm

#### Ambient conditions

Ambient temperature (operation)	-25 °C ... 75 °C
Ambient temperature (storage/transport)	-25 °C ... 75 °C

#### General

Housing material	PA 6
Flammability rating according to UL 94	V-0
Standards for clearances and creepage distances	EN 60664-1
	EN 61643-11

# Type 3 surge protection device - MNT-ISDN D/WH - 2882349

## Technical data

### General

	EN 61643-1
Total surge current (8/20) $\mu\text{s}$	10 kA
Color	pure white RAL 9010
For country-specific use in	D, A, NL, E, S, FIN, TR
Mounting type	Plugging into the mains socket
Type	Attachment plug
Direction of action	L/N-PE & Signal Line-Earth Ground

### Protective circuit, power supply

IEC test classification	III
	T3
EN type	T3
Nominal voltage $U_N$	230 V AC
Arrester rated voltage $U_C$ (L-N)	275 V AC
Arrester rated voltage $U_C$ (L-PE)	360 V AC
Arrester rated voltage $U_C$ (N-PE)	360 V AC
Nominal frequency $f_N$	50 Hz (60 Hz)
Standby power consumption $P_C$	$\leq 1$ VA
Residual current $I_{PE}$	$\leq 5$ $\mu\text{A}$
Nominal discharge current $I_n$ (8/20) $\mu\text{s}$	3 kA ( $> 5x$ )
Combination wave $U_{OC}$	4 kV
Energy absorption symmetrical	140 J (L-N)
Energy absorption, asymmetrical	220 J (L(N)-PE)
Voltage protection level $U_p$ (L-N)	$\leq 1.2$ kV
Voltage protection level $U_p$ (L-PE)	$\leq 1.5$ kV
Voltage protection level $U_p$ (N-PE)	$\leq 1.5$ kV
Total surge current (8/20) $\mu\text{s}$	10 kA
Response time (L-N)	$\leq 25$ ns
Response time (L-PE)	$\leq 100$ ns
Response time (N-PE)	$\leq 100$ ns
Surge protection fault message	optical
Max. required back-up fuse	16 A (gG / B / C)

### Connection (protective circuit, power supply)

Connection method	Grounding plug/socket
Connection type IN	Grounding plug
Connection type OUT	Grounding socket

### Protective circuit, information technology

Arrester rated voltage $U_C$ (Core-Core)	6 V DC
Arrester rated voltage $U_C$ (Core-Earth)	380 V DC
Nominal current $I_N$	1.5 A (25 °C)

## Type 3 surge protection device - MNT-ISDN D/WH - 2882349

### Technical data

#### Protective circuit, information technology

Operating effective current $I_C$ at $U_C$	500 $\mu$ A
Residual current $I_{PE}$	$\leq 4 \mu$ A
Insulation resistance $R_{iso}$	$\geq 20 \text{ k}\Omega$
	$\leq 1000 \text{ M}\Omega$
Nominal discharge current $I_n$ (8/20) $\mu$ s (Core-Core)	650 A
Nominal discharge current $I_n$ (8/20) $\mu$ s (Core-Earth)	2.5 kA
Voltage protection level $U_p$ (core-core)	$\leq 65 \text{ V}$ (C1 - 1 kV/500 A)
Voltage protection level $U_p$ (core-ground)	$\leq 900 \text{ V}$ (C2 - 4 kV/2 kA)
Response time $t_A$ (Core-Core)	$\leq 1 \text{ ns}$
Response time $t_A$ (Core-Earth)	$\leq 100 \text{ ns}$
Cut-off frequency $f_g$ (3 dB), sym. in 100 Ohm system	typ. 300 kHz
Capacity (Core-Core)	typ. 6 nF
Capacity (Core-Earth)	typ. 5 pF
Output voltage limitation at 1 kV/ $\mu$ s (wire-wire)	$\leq 10 \text{ V}$
Output voltage limitation at 1 kV/ $\mu$ s (wire-earth)	$\leq 900 \text{ V}$
Residual voltage at $I_n$ (conductor-conductor)	$\leq 20 \text{ V}$
Residual voltage at $I_n$ (conductor-ground)	$\leq 50 \text{ V}$
Impulse durability (conductor-conductor)	C2 - 1 kV / 500 A
	C3 - 7.5 kV/100 A
Impulse durability (conductor-ground)	C2 - 4 kV/2 kA
	C3 - 7.5 kV/100 A
Alternating current carrying capacity (conductor-conductor)	1 A - 1 s
Alternating current carrying capacity (conductor-ground)	10 A - 1 s
Pulse reset time (conductor-conductor)	$\leq 1 \text{ ms}$

#### Power supply, general

Connection method	RJ45
Connection type IN	RJ45 socket
Connection type OUT	RJ45 socket

#### Connection, equipotential bonding, information technology

Connection method	Via protective contact plug
-------------------	-----------------------------

#### Standards (protective circuit, information technology)

IEC test classification	C1
	C2
	C3
	D1

# Type 3 surge protection device - MNT-ISDN D/WH - 2882349

## Classifications

### eCl@ss

eCl@ss 4.0	27140201
eCl@ss 4.1	27130801
eCl@ss 5.0	27130801
eCl@ss 5.1	27130801
eCl@ss 6.0	27130810
eCl@ss 7.0	27130810
eCl@ss 8.0	27130810

### ETIM

ETIM 2.0	EC001473
ETIM 3.0	EC001473
ETIM 4.0	EC001473
ETIM 5.0	EC001473

### UNSPSC

UNSPSC 6.01	30212010
UNSPSC 7.0901	39121610
UNSPSC 11	39121610
UNSPSC 12.01	39121610
UNSPSC 13.2	39121620

## Approvals

### Approvals

---

Approvals

EAC

---

Ex Approvals

---

Approvals submitted

---

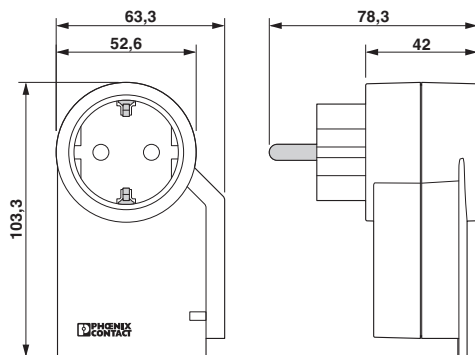
### Approval details

EAC
-----

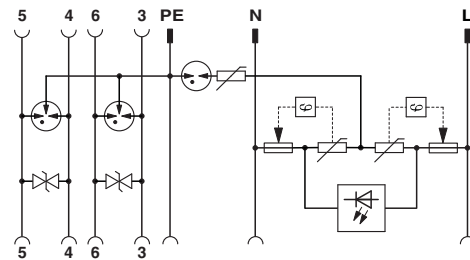
## Drawings

## Type 3 surge protection device - MNT-ISDN D/WH - 2882349

Dimensional drawing



Circuit diagram



Phoenix Contact 2016 © - all rights reserved  
<http://www.phoenixcontact.com>

PHOENIX CONTACT GmbH & Co. KG  
Flachsmarktstr. 8  
32825 Blomberg  
Germany  
Tel. +49 5235 300  
Fax +49 5235 3 41200  
<http://www.phoenixcontact.com>



Below is a list of articles with direct links to our shop Electric Automation Network where you can see:

- Quote per purchase volume in real time.
- Online documentation and datasheets of all products.
- Estimated delivery time enquiry in real time.
- Logistics systems for the shipment of materials almost anywhere in the world.
- Purchasing management, order record and tracking of shipments.

To access the product, [click on the green button](#).

Product	Code	Reference	Product link
Socket attachment plug with surge protection for the power supply unit and ISDN connection for telecommunications terminal equipment. Cable is provided.	2882349	MNT-ISDN D/WH	<a href="#">Buy on EAN</a>