



Automatización Eléctrica
Especialistas en Automatización

At the end of this document you will find links to products related to this catalog. You can go directly to our shop by clicking [HERE](#). [HERE](#)

Electronic device circuit breaker - CB E1 24DC/10A S-C P - 2800928

Please be informed that the data shown in this PDF Document is generated from our Online Catalog. Please find the complete data in the user's documentation. Our General Terms of Use for Downloads are valid (<http://phoenixcontact.com/download>)



Electronic device circuit breaker, 1-pos., active current limitation, status output and control input, plug for base element.

The figure shows the CB E1 24DC/1A S-C P version

Why buy this product

- Compact design with precise nominal current levels
- Modular expansion possible thanks to the uniform, plug-in housing concept
- Sophisticated remote signaling concept enables monitoring from any location
- The control input can be switched by means of remote control
- Active current limitation, even when switching capacitive loads
- Supply/remote signaling can be bridged with CLIPLINE complete accessories

Key Commercial Data

| | |
|--------------|---------------------|
| Packing unit | 1 STK |
| GTIN | 4 046356 690843 |

Technical data

Dimensions

| | |
|--------|---------|
| Height | 45 mm |
| Width | 12.3 mm |
| Depth | 52 mm |

Ambient conditions

| | |
|---|-----------------------------------|
| Ambient temperature (operation) | -25 °C ... 50 °C (non-condensing) |
| Ambient temperature (storage/transport) | -40 °C ... 70 °C |
| Humidity test | 96 h, 95% RH, 40°C |
| Degree of protection | IP30 (Actuation area) |

General

| | |
|--|-----------------|
| Flammability rating according to UL 94 | V0 |
| Mounting type | On base element |
| Color | gray |
| Number of positions | 1 |

Electronic device circuit breaker - CB E1 24DC/10A S-C P - 2800928

Technical data

General

| | |
|---------------------|------|
| Degree of pollution | 2 |
| Type | Male |

Electrical data

| | |
|------------------------------------|---|
| Fuse type | Electronic |
| Rated surge voltage | 0.5 kV |
| Operating voltage | 24 V DC |
| | 18 V DC ... 30 V DC |
| Nominal current I_N | 10 A |
| Rated insulation voltage U_i | 30 V (Load circuit) |
| Required backup fuse | not required, integrated failsafe element |
| Active current limitation | typ. $1.25 \times I_N$ |
| Contact type | Without electrical isolation |
| Closed circuit current I_o | typ. 8 mA (When switched on) |
| | typ. 11 mA (With status output) |
| Power dissipation | 1.46 W (Nominal operation) |
| Temperature derating | 9 A (at 50°C) |
| Tripping method | E (electronic) |
| Dielectric strength | max. 30 V DC (Load circuit) |
| Voltage drop | 120 mV (at I_N) |
| Contact type | Without electrical isolation |
| Shutdown time load circuit | 80 ms (see time/current characteristic curve) |
| Undervoltage shutdown load circuit | < 14 V (typ. OFF) |
| | > 17 V (typ. ON) |
| Max. capacitive load load circuit | 20000 μ F |
| Output voltage status output | 24 V DC |
| Output current status output | max. 0.2 A (Short-circuit-proof) |
| Input voltage reset input | max. 30 V DC |
| Current consumption reset input | typ. 2.6 mA (at 24 V DC) |
| Auxiliary type of contact | Positive-switching signal output |

Standards and Regulations

| | |
|--------------------------|---------------------------------|
| Standards/specifications | UL 2367 UL recognized |
| | UL 508 UL/C-UL listed |
| | EMV EN 61000-6-3 Noise emission |
| | EMV EN 61000-6-2 Noise immunity |

Classifications

eCl@ss

| | |
|------------|----------|
| eCl@ss 4.0 | 27141116 |
|------------|----------|

Electronic device circuit breaker - CB E1 24DC/10A S-C P - 2800928

Classifications

eCl@ss

| | |
|------------|----------|
| eCl@ss 4.1 | 27141116 |
| eCl@ss 5.0 | 27141116 |
| eCl@ss 5.1 | 27141116 |
| eCl@ss 6.0 | 27141116 |
| eCl@ss 7.0 | 27141116 |
| eCl@ss 8.0 | 27141116 |

ETIM

| | |
|----------|----------|
| ETIM 3.0 | EC000899 |
| ETIM 4.0 | EC000899 |
| ETIM 5.0 | EC000899 |

UNSPSC

| | |
|---------------|----------|
| UNSPSC 6.01 | 30211812 |
| UNSPSC 7.0901 | 39121411 |
| UNSPSC 11 | 39121411 |
| UNSPSC 12.01 | 39121411 |
| UNSPSC 13.2 | 39121411 |

Approvals

Approvals

Approvals

UL Recognized / GL / UL Listed / cUL Listed / EAC / cULus Listed

Ex Approvals

Approvals submitted

Approval details

| |
|---------------|
| UL Recognized |
|---------------|

| |
|----|
| GL |
|----|

Electronic device circuit breaker - CB E1 24DC/10A S-C P - 2800928

Approvals

UL Listed

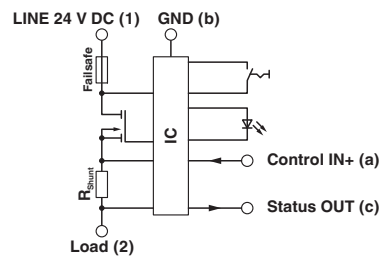
cUL Listed

EAC

cULus Listed

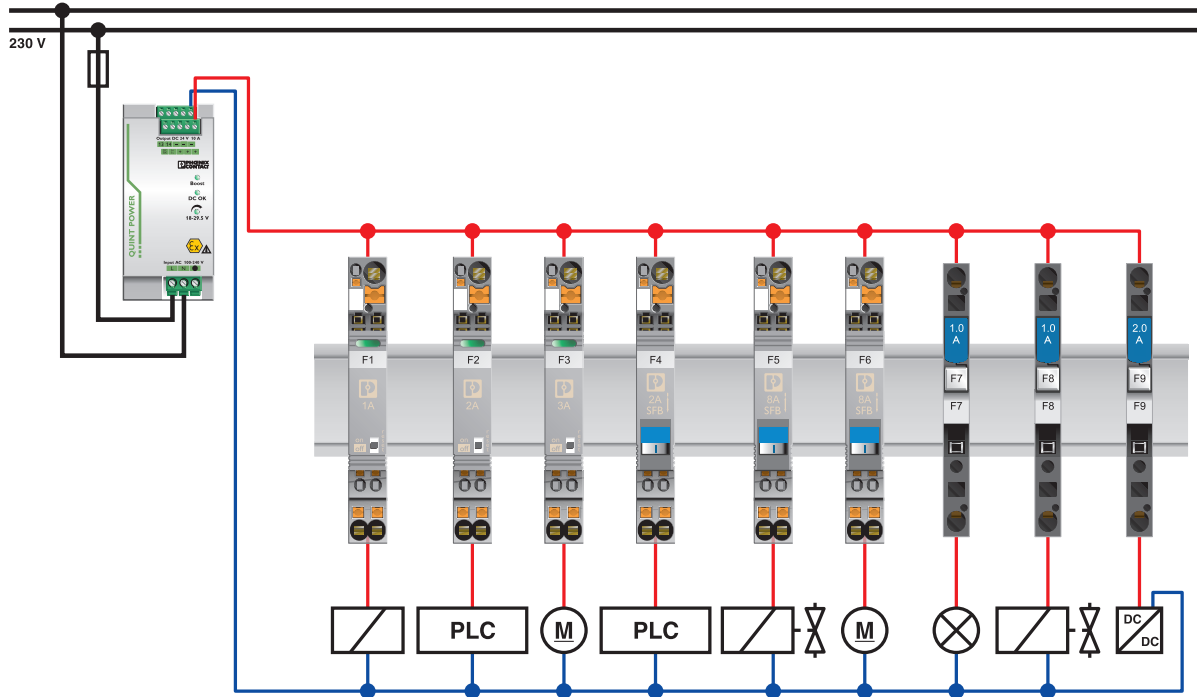
Drawings

Circuit diagram



Electronic device circuit breaker - CB E1 24DC/10A S-C P - 2800928

Application drawing



Phoenix Contact 2016 © - all rights reserved
<http://www.phoenixcontact.com>

PHOENIX CONTACT GmbH & Co. KG
Flachsmarktstr. 8
32825 Blomberg
Germany
Tel. +49 5235 300
Fax +49 5235 3 41200
<http://www.phoenixcontact.com>



Below is a list of articles with direct links to our shop Electric Automation Network where you can see:

- Quote per purchase volume in real time.
- Online documentation and datasheets of all products.
- Estimated delivery time enquiry in real time.
- Logistics systems for the shipment of materials almost anywhere in the world.
- Purchasing management, order record and tracking of shipments.

To access the product, [click on the green button.](#)

| Product | Code | Reference | Product link |
|---|---------|-------------------------|----------------------------|
| Electronic device circuit breaker, 1-pos., active current limitation, status output and control input, plug for base element. | 2800928 | CB E1 24DC/10A S-C P | Buy on EAN |