



Automatización Eléctrica
Especialistas en Automatización

At the end of this document you will find links to products related to this catalog. You can go directly to our shop by clicking [HERE](#). [HERE](#)

Thermomagnetic device circuit breaker - CB TM2 10A M1 P - 2800887

Please be informed that the data shown in this PDF Document is generated from our Online Catalog. Please find the complete data in the user's documentation. Our General Terms of Use for Downloads are valid (<http://phoenixcontact.com/download>)



Thermomagnetic device circuit breaker, 2-pos., tripping characteristic M1 (medium-blow), 2 PDT contacts, plug for base element.

The figure shows the CB TM2 0.5A M1 P version

Product Description

Thermomagnetic device circuit breaker

Key Commercial Data

| | |
|--------------|---|
| Packing unit | 1 STK |
| GTIN |  4 046356 690485 |

Technical data

Dimensions

| | |
|--------|---------|
| Height | 45 mm |
| Width | 24.6 mm |
| Depth | 52 mm |

Ambient conditions

| | |
|---|-------------------------------|
| Ambient temperature (operation) | -30 °C ... 60 °C |
| Ambient temperature (storage/transport) | -40 °C ... 80 °C |
| Humidity test | 240 h, 95% RH, 40°C |
| Shock (operation) | 30g (IEC 60068-2-27, Test Ea) |
| Degree of protection | IP30 (Actuation area) |

General

| | |
|--|---|
| Installation instructions | When mounted in rows, the nominal device current can be limited to just 80% or must be overdimensioned accordingly. |
| Flammability rating according to UL 94 | V0 |
| Mounting type | On base element |
| Color | gray |
| Number of positions | 2 |
| Insulating material group | II |
| Degree of pollution | 2 |

Thermomagnetic device circuit breaker - CB TM2 10A M1 P - 2800887

Technical data

Electrical data

| | |
|--|--|
| Fuse type | normal blow |
| Rated surge voltage | 2.5 kV (Increased insulation in actuation area) |
| Rated voltage | 240 V AC (U _e according to IEC 60934) |
| | 277 V AC (UL 1077) |
| | 277 V AC (UL 508 - with plug-in base) |
| | 80 V DC (IEC 60934) |
| | 80 V DC (UL 1077) |
| | 80 V DC (UL 508 - with plug-in base) |
| Rated current I _N | 10 A (IEC 60934) |
| | 10 A AC (inductive load according to UL 1077) |
| | 10 A DC (low-induction load according to UL 1077) |
| | 10 A AC (inductive load according to UL 508 - with plug-in base) |
| | 10 A DC (low-induction load according to UL 508 - with plug-in base) |
| Rated insulation voltage U _i | 277 V AC (UL 1077) |
| | 250 V AC (IEC 60934) |
| Required backup fuse | ≥ 40 A |
| Contact type | 2 PDT |
| Power dissipation | 2 W (in nominal operation per channel) |
| Insulation resistance R _{iso} | > 100 MΩ (500 V DC) |
| Type of actuation | S type |
| Tripping method | TM (thermomagnetic) |
| Tripping level | Trip-free mechanism (positive) |
| Rated short-circuit switching capacity I _{cn} | 400 A (240 V AC) |
| | 600 A (80 V DC) |
| Short-circuit switching capacity I _k | 1000 A AC 277 V AC |
| | 1000 A DC 50 V DC |
| Dielectric strength | 3000 V AC (Actuation area) |
| | 1500 V AC (Main to auxiliary circuit) |
| | 1500 V AC (Open main circuit) |
| | 1000 V AC (Open auxiliary circuit) |
| | 1500 V AC (Position to position) |
| Voltage drop | 0.13 V (at 1 x I _n) |
| Switching cycles, max. | 6000 (240 V AC/1 x I _n) |
| | 3000 (80 V DC/1 x I _n) |
| Contact type | 2 PDT |
| Auxiliary circuit | 277 V AC / 0.5 A (Low-induction) |
| | 277 V AC / 1 A (Low-induction, maximum of 2000 cycles) |
| | 50 V DC / 1 A (Low-induction) |
| Minimum auxiliary contact operating voltage | 10 V |
| Maximum auxiliary contact operating voltage | 240 V |

Thermomagnetic device circuit breaker - CB TM2 10A M1 P - 2800887

Technical data

Electrical data

| | |
|---|----------------------------|
| | 240 V |
| Minimum auxiliary contact operating current | 10 mA |
| Maximum auxiliary contact operating current | 1 A |
| Vibration resistance, frequency | 57 Hz ... 500 Hz |
| Vibration resistance, amplitude | 0.61 mm (10 - 57 Hz) |
| Vibration resistance, acceleration | 80 m/s ² |
| Vibration resistance, test duration | 10 (Frequency cycles/axis) |

Standards and Regulations

| | |
|--------------------------|----------------------------|
| Standards/specifications | EN 60934 |
| | UL 1077 UL/C-UL recognized |
| | UL 508 UL/C - UL listed |
| | CSA 22.2 No. 235-041 |

Classifications

eCl@ss

| | |
|------------|----------|
| eCl@ss 4.0 | 27141116 |
| eCl@ss 4.1 | 27141116 |
| eCl@ss 5.0 | 27141116 |
| eCl@ss 5.1 | 27141116 |
| eCl@ss 6.0 | 27141116 |
| eCl@ss 7.0 | 27141116 |
| eCl@ss 8.0 | 27141116 |

ETIM

| | |
|----------|----------|
| ETIM 3.0 | EC000899 |
| ETIM 4.0 | EC000899 |
| ETIM 5.0 | EC000899 |

UNSPSC

| | |
|---------------|----------|
| UNSPSC 6.01 | 30211812 |
| UNSPSC 7.0901 | 39121411 |
| UNSPSC 11 | 39121411 |
| UNSPSC 12.01 | 39121411 |
| UNSPSC 13.2 | 39121411 |

Approvals

Approvals

Thermomagnetic device circuit breaker - CB TM2 10A M1 P - 2800887

Approvals


Approvals


VDE Zeichengenehmigung / UL Recognized / cUL Recognized / GL / EAC / CSA / EAC / cULus Recognized


Ex Approvals

Approvals submitted

Approval details

VDE Zeichengenehmigung 

UL Recognized 


cUL Recognized 

GL

EAC

CSA

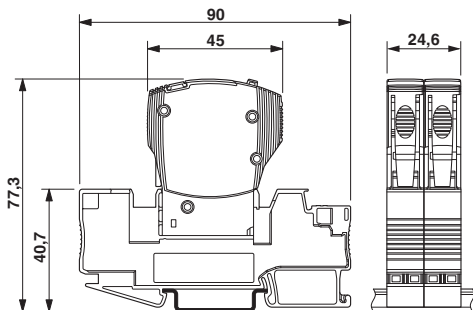
EAC

cULus Recognized 

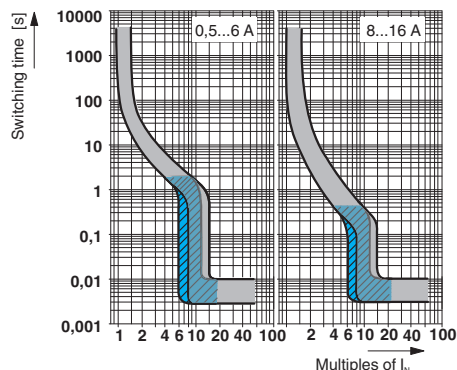
Drawings

Thermomagnetic device circuit breaker - CB TM2 10A M1 P - 2800887

Dimensional drawing



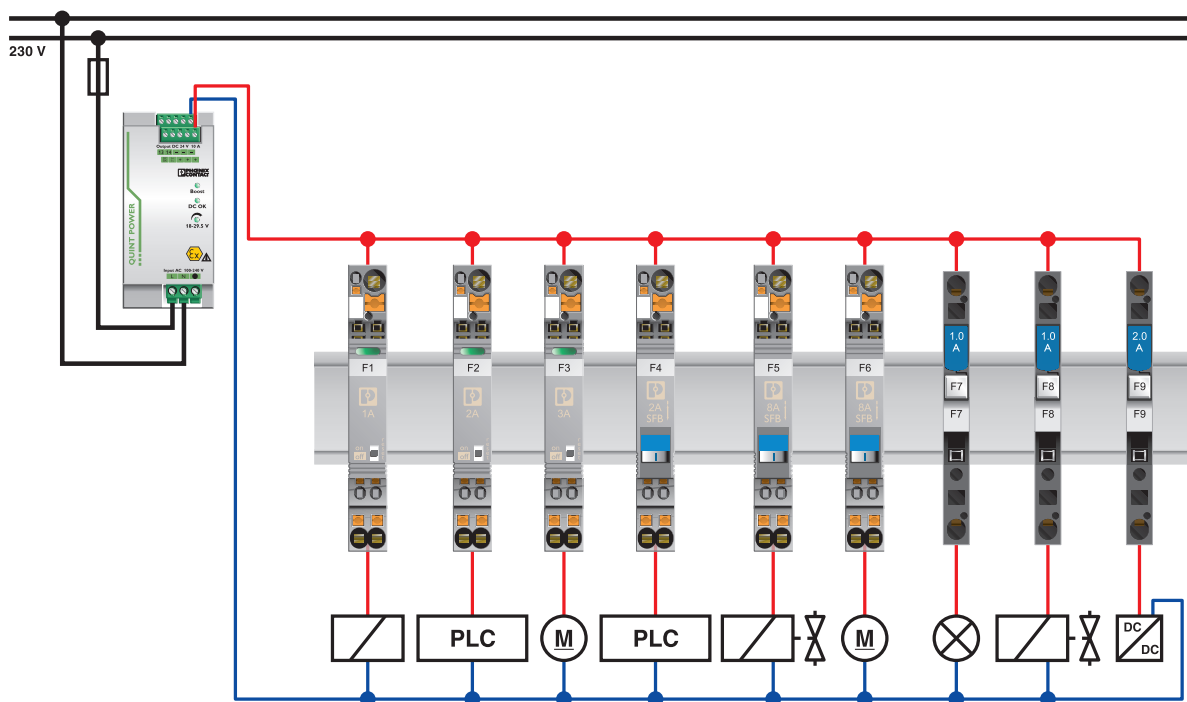
Diagram



The figure shows the complete module consisting of a base element and connector

Trigger characteristic
 Gray: DC range, blue: AC range

Application drawing



The figure shows the single-position versions

Phoenix Contact 2016 © - all rights reserved
<http://www.phoenixcontact.com>

PHOENIX CONTACT GmbH & Co. KG
Flachmarktstr. 8
32825 Blomberg
Germany
Tel. +49 5235 300
Fax +49 5235 3 41200
<http://www.phoenixcontact.com>



Below is a list of articles with direct links to our shop Electric Automation Network where you can see:

- Quote per purchase volume in real time.
- Online documentation and datasheets of all products.
- Estimated delivery time enquiry in real time.
- Logistics systems for the shipment of materials almost anywhere in the world.
- Purchasing management, order record and tracking of shipments.

To access the product, [click on the green button.](#)

| Product | Code | Reference | Product link |
|---|---------|--------------------|----------------------------|
| Thermomagnetic device circuit breaker, 2-pos., tripping characteristic M1 (medium-blow), 2 PDT contacts, plug for base element. | 2800887 | CB TM2 10A M1 P | Buy on EAN |