



Automatización Eléctrica
Especialistas en Automatización

At the end of this document you will find links to products related to this catalog. You can go directly to our shop by clicking [HERE](#). [HERE](#)

Limit value switches - MCR-2SP-UI-DC - 2769873

Please be informed that the data shown in this PDF Document is generated from our Online Catalog. Please find the complete data in the user's documentation. Our General Terms of Use for Downloads are valid (<http://phoenixcontact.com/download>)



MCR limit value switch, with two adjustable relay contacts, with electrically isolated auxiliary power supply, input signal 0...10 V/0...20 mA

The illustration shows version MCR-2SP-UI



Key Commercial Data

Packing unit	1 STK
GTIN	 4 017918 067694

Technical data

Note

Utilization restriction	EMC: class A product, see manufacturer's declaration in the download area
-------------------------	---

Dimensions

Width	45 mm
Height	75 mm
Depth	108 mm

Ambient conditions

Ambient temperature (operation)	-20 °C ... 65 °C
Ambient temperature (storage/transport)	-20 °C ... 65 °C
Degree of protection	IP20

Input data

Description of the input	Analog input
Configurable/programmable	Yes
Voltage input signal	0 V ... 10 V
Current input signal	0 mA ... 0.02 A
Max. input voltage	13 V

Limit value switches - MCR-2SP-UI-DC - 2769873

Technical data

Input data

Max. input current	100 mA
Input resistance of voltage input	200 kΩ
Input resistance current input	50 Ω
Internal hysteresis	approx. 100 mV
	approx. 200 μA
Setting option	2-figure momentary-contact coding switch (0 ... 99%)
	External analog value definition
	2-figure momentary-contact coding switch (0 ... 99%) and external analog value definition
Description of the input	Setpoint input
Number of inputs	2
Configurable/programmable	Yes
Voltage input signal	0 V ... 10 V
Current input signal	0 mA ... 0.02 A
Max. input voltage	13 V
Max. input current	100 mA
Input resistance of voltage input	200 kΩ
Input resistance current input	50 Ω

Switching output

Output name	Relay output
Contact type	2 PDT contact, pick-up/drop-out (can be switched)
Contact material	Silver cadmium oxide (AgCdO)
Maximum switching voltage	250 V AC
Mechanical service life	3 x 10 ⁷ cycles
Setting range of the response delay	40 ms ... 4 s (adjustable)
Status display	LED
Max. switching current	3 A

Power supply

Supply voltage range	20 V DC ... 30 V DC
Max. current consumption	50 mA
Power consumption	< 1.5 W

Connection data

Connection method	Pluggable screw connection
Conductor cross section solid min.	0.2 mm ²
Conductor cross section solid max.	2.5 mm ²
Conductor cross section AWG min.	24
Conductor cross section AWG max.	14
Conductor cross section flexible min.	0.2 mm ²
Conductor cross section flexible max.	2.5 mm ²

Limit value switches - MCR-2SP-UI-DC - 2769873

Technical data

Connection data

Stripping length	8 mm
Screw thread	M3

General

No. of channels	2
Maximum temperature coefficient	≤ 0.01 %/K
Step response (10-90%)	40 ms
Degree of pollution	2
Test voltage input/power supply	1 kV AC (50 Hz, 1 min.)
Color	green
Housing material	PC
Mounting position	Vertical (horizontal DIN rail)
Conformance	CE-compliant
UL, USA / Canada	cULus

Standards and Regulations

Connection in acc. with standard	CUL
Conformance	CE-compliant
UL, USA / Canada	cULus

Classifications

eCl@ss

eCl@ss 4.0	27200303
eCl@ss 4.1	27200303
eCl@ss 5.0	27200303
eCl@ss 5.1	27200303
eCl@ss 6.0	27200303
eCl@ss 7.0	27142316
eCl@ss 8.0	27210122

ETIM

ETIM 2.0	EC001440
ETIM 3.0	EC001440
ETIM 4.0	EC001440
ETIM 5.0	EC002654

UNSPSC

UNSPSC 6.01	30211506
UNSPSC 7.0901	39121008
UNSPSC 11	39121008
UNSPSC 12.01	39121008

Limit value switches - MCR-2SP-UI-DC - 2769873

Classifications

UNSPSC

UNSPSC 13.2	39121008
-------------	----------

Approvals

Approvals

Approvals


UL Recognized / cUL Recognized / EAC / cULus Recognized

Ex Approvals

Approvals submitted

Approval details

UL Recognized 

cUL Recognized 

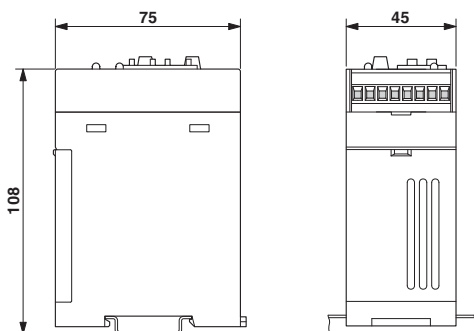
EAC

cULus Recognized 

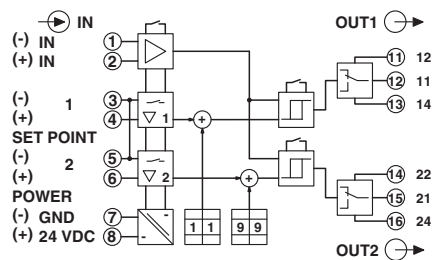
Drawings

Limit value switches - MCR-2SP-UI-DC - 2769873

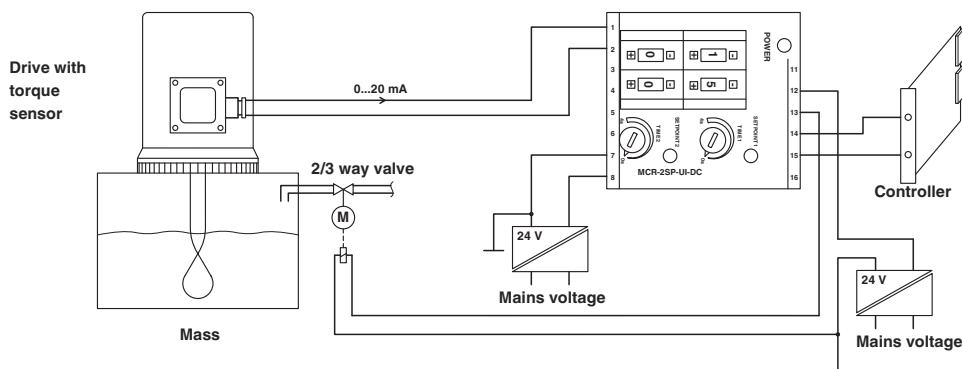
Dimensional drawing



Circuit diagram



Application drawing



Phoenix Contact 2016 © - all rights reserved
<http://www.phoenixcontact.com>

PHOENIX CONTACT GmbH & Co. KG
 Flachsmarktstr. 8
 32825 Blomberg
 Germany
 Tel. +49 5235 300
 Fax +49 5235 3 41200
<http://www.phoenixcontact.com>



Below is a list of articles with direct links to our shop Electric Automation Network where you can see:

- Quote per purchase volume in real time.
- Online documentation and datasheets of all products.
- Estimated delivery time enquiry in real time.
- Logistics systems for the shipment of materials almost anywhere in the world.
- Purchasing management, order record and tracking of shipments.

To access the product, [click on the green button.](#)

Product	Code	Reference	Product link
MCR limit value switch, with two adjustable relay contacts, with electrically isolated auxiliary power supply, input signal 0...10 V/0..20 mA	2769873	MCR-2SP-UI-DC	Buy on EAN