



Automatización Eléctrica
Especialistas en Automatización

At the end of this document you will find links to products related to this catalog. You can go directly to our shop by clicking [HERE](#). [HERE](#)

Electronic housing - EG 45-GMF/PC GN - 2764849

Please be informed that the data shown in this PDF Document is generated from our Online Catalog. Please find the complete data in the user's documentation. Our General Terms of Use for Downloads are valid (<http://phoenixcontact.com/download>)



Housing base, with metal foot catch

Illustration shows a fully mounted version of the electronic housing

Why buy this product

- Tool-free mounting
- Optimum accommodation of electronic components with graded pitches with a design width of 22.5 mm, 45 mm, 67.5 mm, and 90 mm
- Fast snap-on mounting on symmetrical DIN rails according to EN 60715
- Practical and easy-to-wire conductor connection using extra finely stranded sturdy screw terminal blocks up to 2.5 mm²
- Date of manufacture and material and part identification embossed on the housing (recyclability)
- Functional and industry-oriented housing technology
- Shock and contamination-proof accommodation of electronic components (IP40 housing, IP20 terminal blocks)

Key Commercial Data

| | |
|--------------|---------------------|
| Packing unit | 10 STK |
| GTIN | 4 017918 131906 |

Technical data

General

| | |
|------------------|-------------------|
| Housing type | Component housing |
| Housing material | Polycarbonate |
| Color | green |

Ambient conditions

| | |
|---------------------------------|-------------------|
| Ambient temperature (operation) | -40 °C ... 125 °C |
|---------------------------------|-------------------|

Dimensions

| | |
|-----------------------|----------|
| Length | 75 mm |
| Constructional height | 107.5 mm |
| Width | 45 mm |

Technical data

| | |
|--|----|
| Flammability rating according to UL 94 | V0 |
|--|----|

Electronic housing - EG 45-GMF/PC GN - 2764849

Technical data

Technical data

| | |
|----------------------------------|-------|
| Power dissipation without gap | 3.4 W |
| Power dissipation with 20 mm gap | 6.1 W |
| Number of positions | 16 |

Standards and Regulations

| | |
|--|----|
| Flammability rating according to UL 94 | V0 |
|--|----|

Classifications

eCl@ss

| | |
|------------|----------|
| eCl@ss 4.0 | 27180401 |
| eCl@ss 4.1 | 27180401 |
| eCl@ss 5.0 | 27180506 |
| eCl@ss 5.1 | 27180506 |
| eCl@ss 6.0 | 27180802 |
| eCl@ss 7.0 | 27182702 |
| eCl@ss 8.0 | 27182702 |
| eCl@ss 9.0 | 27182702 |

ETIM

| | |
|----------|----------|
| ETIM 2.0 | EC001031 |
| ETIM 3.0 | EC001031 |
| ETIM 4.0 | EC001031 |
| ETIM 5.0 | EC001031 |

UNSPSC

| | |
|---------------|----------|
| UNSPSC 6.01 | 31261501 |
| UNSPSC 7.0901 | 31261501 |
| UNSPSC 11 | 31261501 |
| UNSPSC 12.01 | 31261501 |
| UNSPSC 13.2 | 31261501 |

Approvals

Approvals

Approvals

UL Recognized


Ex Approvals

Electronic housing - EG 45-GMF/PC GN - 2764849

Approvals

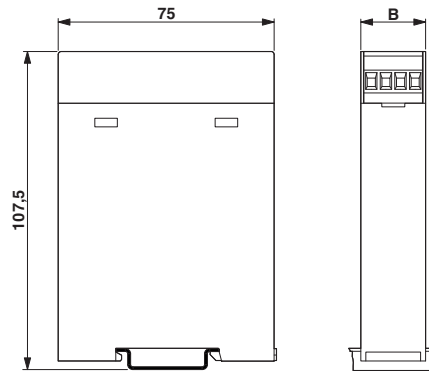
Approvals submitted

Approval details

UL Recognized 

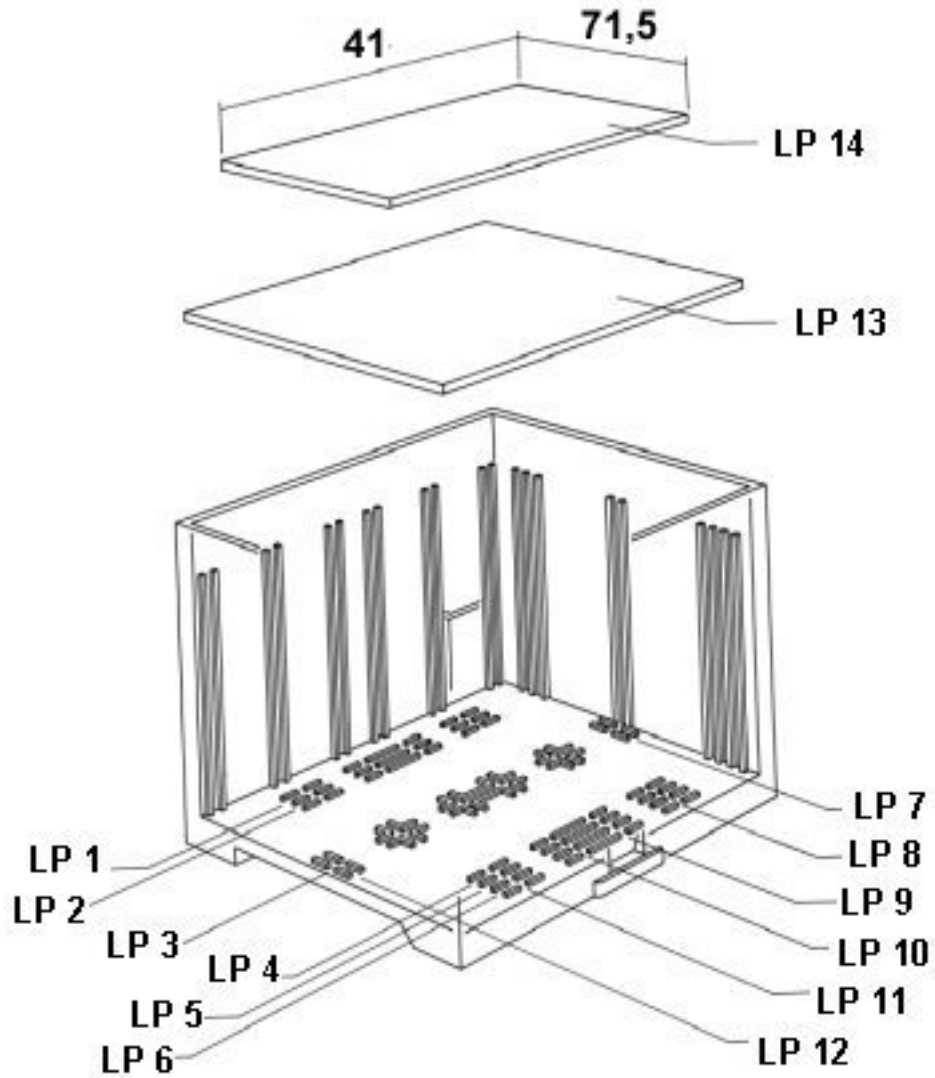
Drawings

Dimensional drawing



Electronic housing - EG 45-GMF/PC GN - 2764849

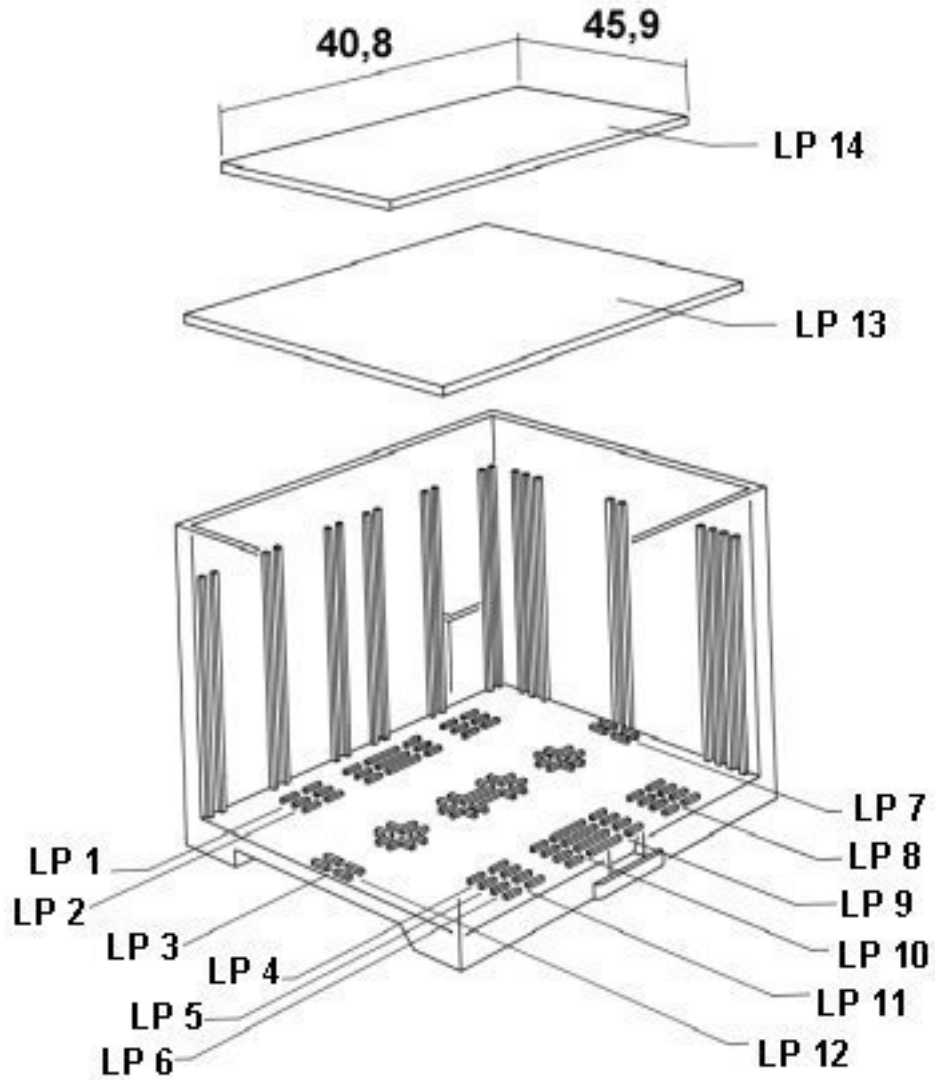
Explosion drawing



valid for PCB 13

Electronic housing - EG 45-GMF/PC GN - 2764849

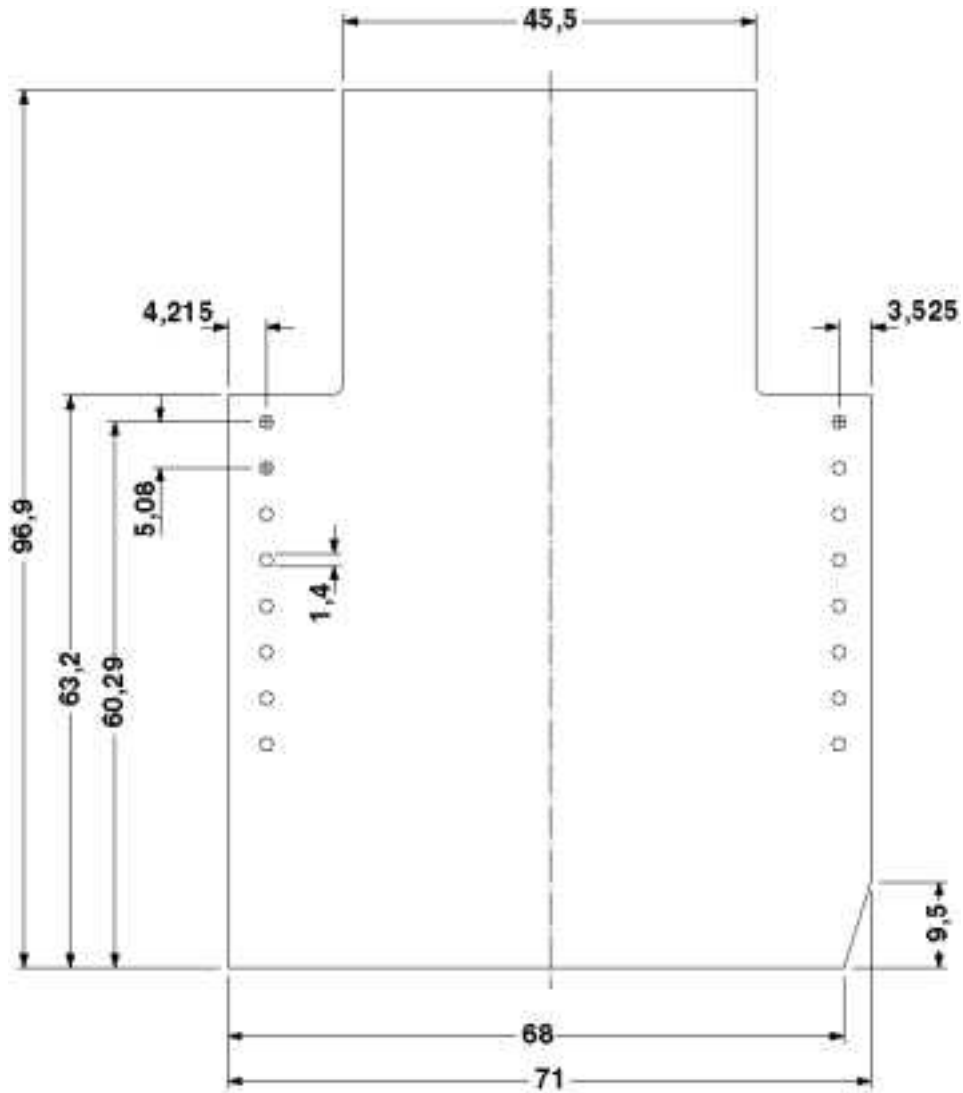
Explosion drawing



valid for PCB 14

Electronic housing - EG 45-GMF/PC GN - 2764849

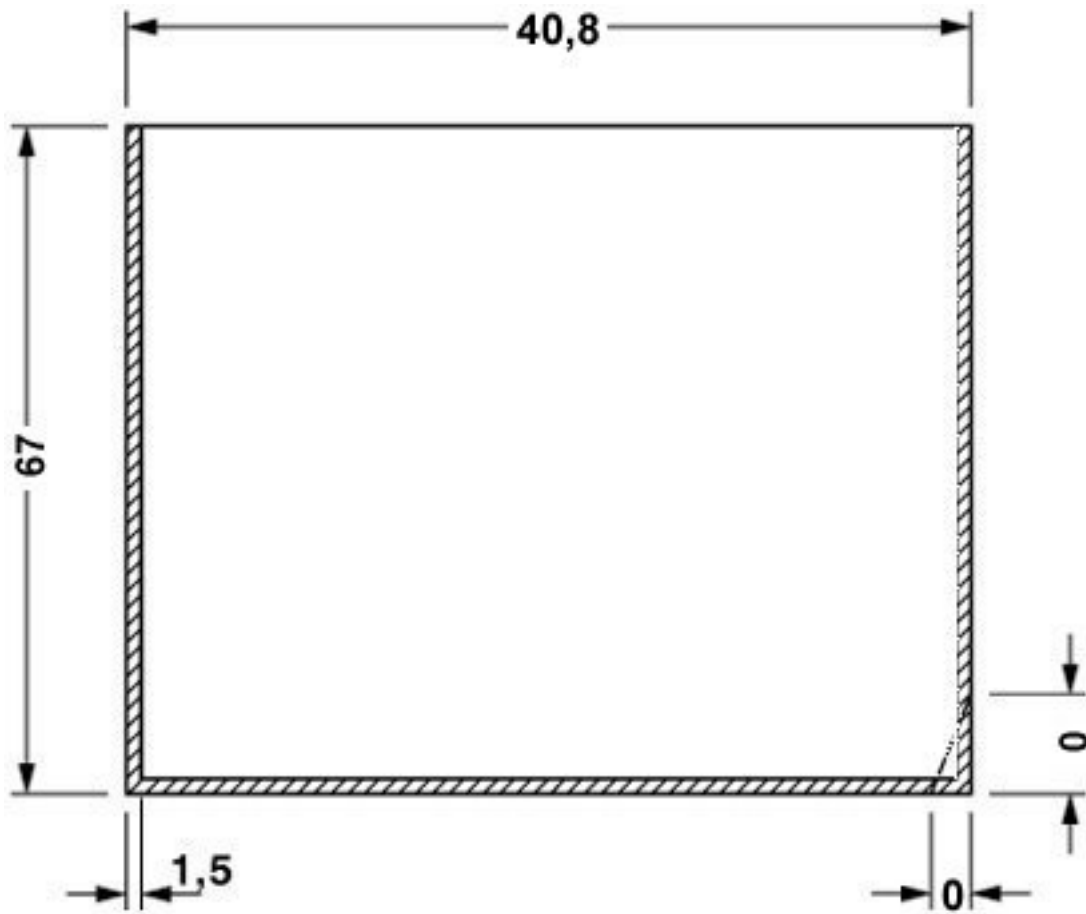
Dimensional drawing



Component mounting side, if the double-level upper part is used

Electronic housing - EG 45-GMF/PC GN - 2764849

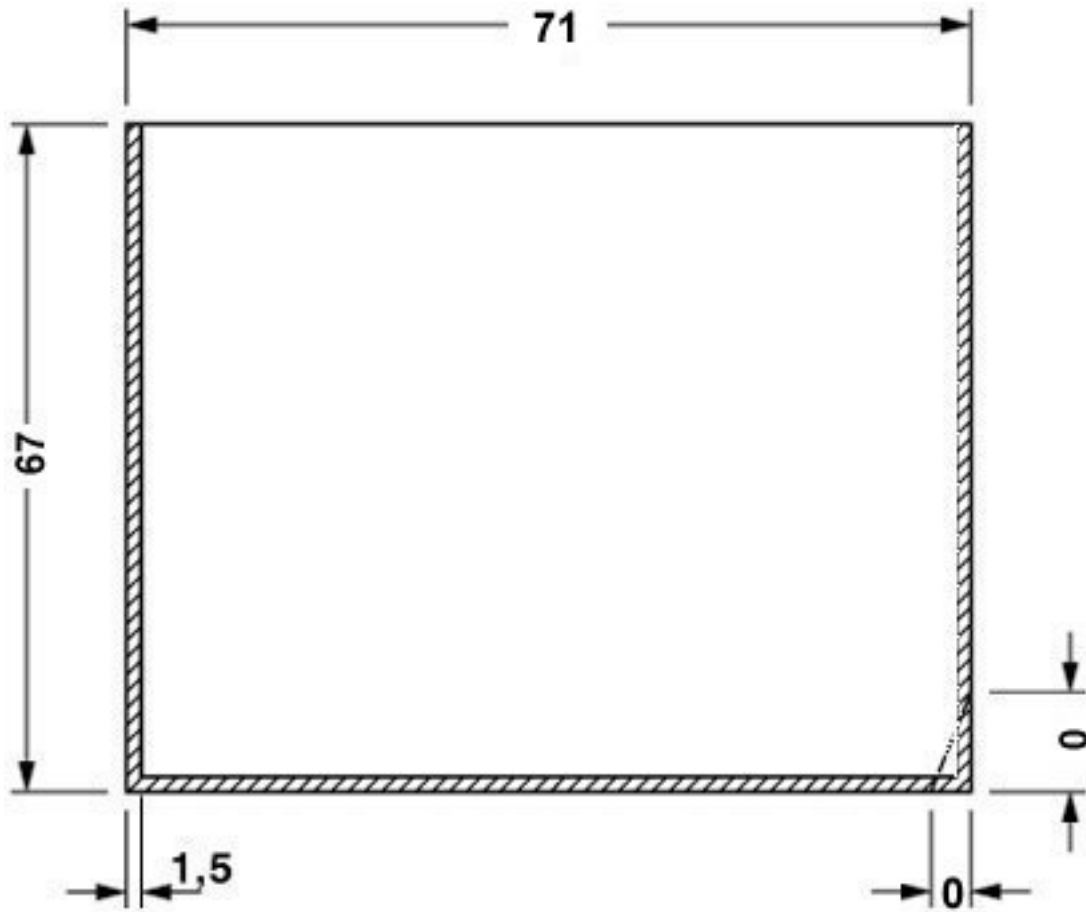
Dimensional drawing



valid for PCB 1; 3; 5 and 6, see explosion drawing

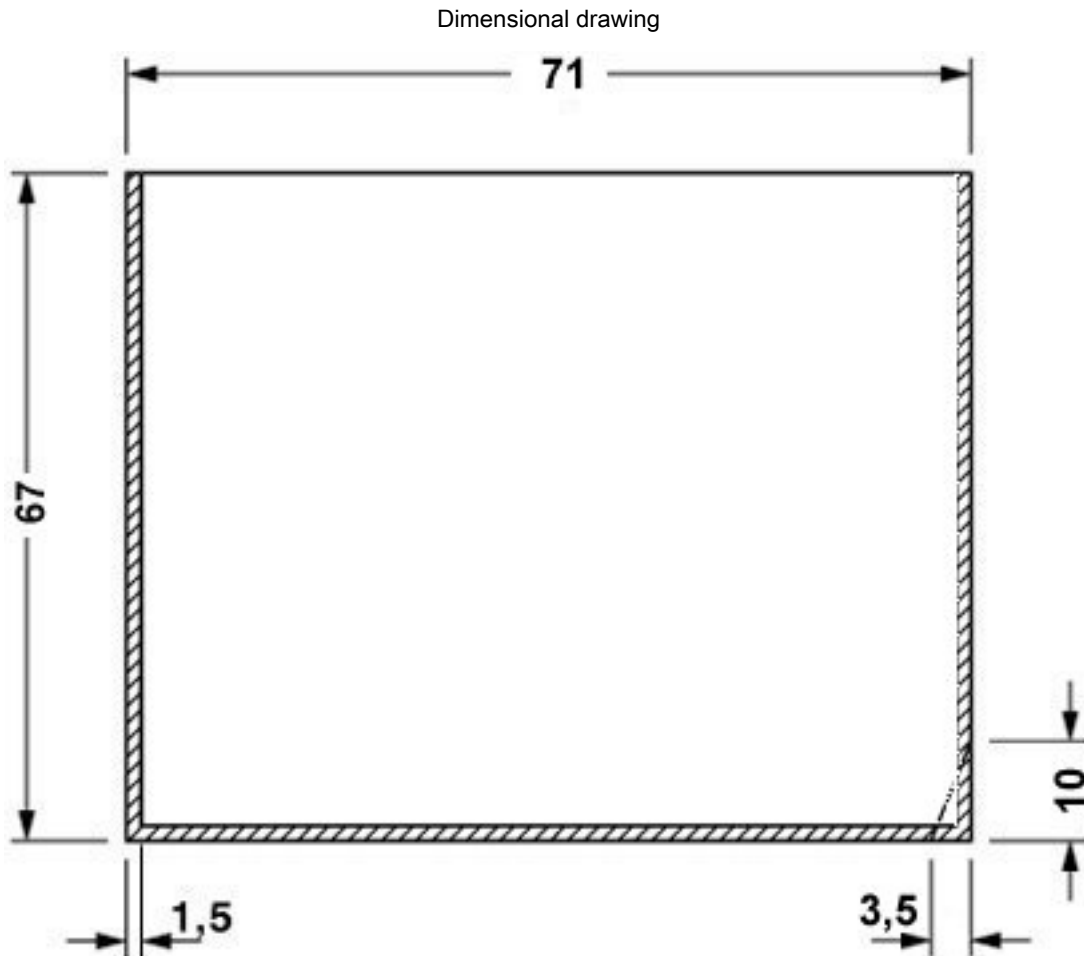
Electronic housing - EG 45-GMF/PC GN - 2764849

Dimensional drawing



valid for PCB 7 and 12, see explosion drawing

Electronic housing - EG 45-GMF/PC GN - 2764849



valid for PCB 10, see explosion drawing

Phoenix Contact 2016 © - all rights reserved
<http://www.phoenixcontact.com>

PHOENIX CONTACT GmbH & Co. KG
Flachsmarktstr. 8
32825 Blomberg
Germany
Tel. +49 5235 300
Fax +49 5235 3 41200
<http://www.phoenixcontact.com>



Below is a list of articles with direct links to our shop Electric Automation Network where you can see:

- Quote per purchase volume in real time.
- Online documentation and datasheets of all products.
- Estimated delivery time enquiry in real time.
- Logistics systems for the shipment of materials almost anywhere in the world.
- Purchasing management, order record and tracking of shipments.

To access the product, [click on the green button.](#)

| Product | Code | Reference | Product link |
|-------------------------------------|---------|-----------------|----------------------------|
| Housing base, with metal foot catch | 2764849 | EG 45-GMF/PC GN | Buy on EAN |