



**Automatización Eléctrica**  
Especialistas en Automatización

At the end of this document you will find links to products related to this catalog. You can go directly to our shop by clicking [HERE](#). [HERE](#)

## Feed-through terminal block - DK-BIC-35 - 2749880

Please be informed that the data shown in this PDF Document is generated from our Online Catalog. Please find the complete data in the user's documentation. Our General Terms of Use for Downloads are valid (<http://phoenixcontact.com/download>)



Feed-through terminal block for VAL and FLT applications

### Why buy this product

- Biconnect feed-through terminal block
- For wiring mixed combinations of lightning and surge arresters
- As a system extension for FLASHTRAB and VALVETRAB applications



### Key Commercial Data

Packing unit	1 STK
GTIN	 4 017918 108212

### Technical data

#### Dimensions

Width	17.7 mm
Height	89.8 mm
Depth	65.5 mm

#### Ambient conditions

Degree of protection	IP20
Ambient temperature (operation)	-40 °C ... 85 °C

#### General

Standards/specifications	IEC 60947-7-1 2002
	DIN EN 61643-11 2002
	IEC 61643-1 2005
Rated voltage	500 V AC/DC
Impulse discharge current (10/350)#µs, charge	50 As
Impulse discharge current (10/350)#µs, specific energy	2.5 MJ/Ω
Impulse discharge current (10/350)#µs, peak value I <sub>imp</sub>	100 kA

# Feed-through terminal block - DK-BIC-35 - 2749880

## Technical data

### General

Maximum continuous voltage $U_c$	500 V AC
	500 V DC
Standards for clearances and creepage distances	DIN VDE 0110-1
	IEC 60664-1
Mounting type	DIN rail: 35 mm
Color	jet black RAL 9005
Housing material	PA 6.6-FR
Overvoltage category	III
Degree of pollution	2
Flammability rating according to UL 94	V-0
Type	Rail-mountable module, one-piece
Connection method	Screw connection
Connection type IN	Biconnect screw terminal block
Connection type OUT	Biconnect screw terminal block
Screw thread	M5
Stripping length	14.5 mm
Conductor cross section flexible min.	0.5 mm <sup>2</sup>
Conductor cross section flexible max.	25 mm <sup>2</sup>
Conductor cross section solid min.	0.5 mm <sup>2</sup>
Conductor cross section solid max.	35 mm <sup>2</sup>

## Classifications

### eCl@ss

eCl@ss 4.0	27140299
eCl@ss 4.1	27140299
eCl@ss 5.0	27140202
eCl@ss 5.1	27140202
eCl@ss 6.0	27141140
eCl@ss 7.0	27141140
eCl@ss 8.0	27141120
eCl@ss 9.0	27141120

### ETIM

ETIM 2.0	EC000489
ETIM 3.0	EC000489
ETIM 4.0	EC000897
ETIM 5.0	EC000897

### UNSPSC

UNSPSC 6.01	30212010
-------------	----------

# Feed-through terminal block - DK-BIC-35 - 2749880

## Classifications

### UNSPSC

UNSPSC 7.0901	39121610
UNSPSC 11	39121610
UNSPSC 12.01	39121610
UNSPSC 13.2	39121620

## Approvals

### Approvals

Approvals

UL Recognized / KEMA-KEUR / EAC

Ex Approvals

Approvals submitted

### Approval details

UL Recognized	
mm <sup>2</sup> /AWG/kcmil	20-2
Nominal current I <sub>N</sub>	100 A
Nominal voltage U <sub>N</sub>	600 V

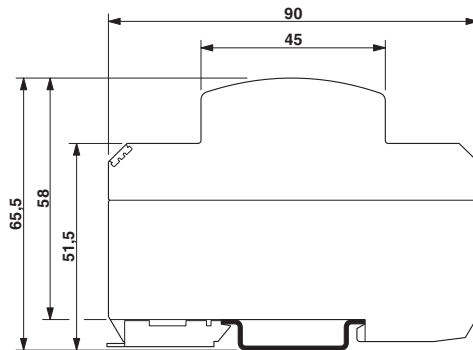
KEMA-KEUR
-----------

EAC
-----

## Drawings

## Feed-through terminal block - DK-BIC-35 - 2749880

Dimensional drawing



Circuit diagram



---

Phoenix Contact 2016 © - all rights reserved  
<http://www.phoenixcontact.com>

PHOENIX CONTACT GmbH & Co. KG  
Flachsmarktstr. 8  
32825 Blomberg  
Germany  
Tel. +49 5235 300  
Fax +49 5235 3 41200  
<http://www.phoenixcontact.com>



**Automatización Eléctrica**  
Especialistas en Automatización

Below is a list of articles with direct links to our shop Electric Automation Network where you can see:

- Quote per purchase volume in real time.
- Online documentation and datasheets of all products.
- Estimated delivery time enquiry in real time.
- Logistics systems for the shipment of materials almost anywhere in the world.
- Purchasing management, order record and tracking of shipments.

To access the product, [click on the green button.](#)

<b>Product</b>	<b>Code</b>	<b>Reference</b>	<b>Product link</b>
Feed-through terminal block for VAL and FLT applications	2749880	DK-BIC-35	<a href="#">Buy on EAN</a>