



**Automatización Eléctrica**  
Especialistas en Automatización

At the end of this document you will find links to products related to this catalog. You can go directly to our shop by clicking HERE. [HERE](#)

## Distributed I/O device - FLM AO 4 SF M12 - 2736466

Please be informed that the data shown in this PDF Document is generated from our Online Catalog. Please find the complete data in the user's documentation. Our General Terms of Use for Downloads are valid (<http://phoenixcontact.com/download>)



The local bus device has 4 analog outputs. Functions: 2 current and 4 voltage output ranges, 500 kbaud/2 Mbaud selection, PCP or process data communication, channel-specific diagnostics, short-circuit/overload protection, M12 fast connection technology.

### Why buy this product

- Flexible power supply concept
- SPEEDCON fast locking system
- Diagnostic and status indicators
- Short-circuit and overload protection
- Consistent connection via M12 connectors

### Key Commercial Data

Packing unit	1 STK
GTIN	 4 017918 974251

### Technical data

#### Note

Utilization restriction	EMC: class A product, see manufacturer's declaration in the download area
-------------------------	---

#### Dimensions

Width	70 mm
Height	178 mm
Depth	50 mm
Drill hole spacing	168 mm

#### Ambient conditions

Ambient temperature (operation)	-25 °C ... 60 °C
Ambient temperature (storage/transport)	-25 °C ... 85 °C
Permissible humidity (operation)	95 %
Permissible humidity (storage/transport)	95 %
Air pressure (operation)	80 Pa ... 106 kPa (up to 2000 m above sea level)
Air pressure (storage/transport)	70 kPa ... 106 kPa (up to 3000 m above sea level)
Degree of protection	IP65/IP67

# Distributed I/O device - FLM AO 4 SF M12 - 2736466

## Technical data

### General

Net weight	280 g
Mounting type	Wall mounting

### Interfaces

Designation	Fieldline local bus
Connection method	M12 connector, B-coded
Transmission speed	500 kBit/s / 2 MBit/s

### Power supply for module electronics

Supply voltage	24 V DC
Supply voltage range	18 V DC ... 30 V DC (including ripple)

### Fieldline potentials

Voltage supply $U_L$	24 V DC (including ripple)
Power supply at $U_L$	max. 4 A
Current consumption from $U_L$	max. 100 mA (At 2 Mbaud)
	typ. 70 mA
Voltage supply $U_S$	24 V DC
Power supply at $U_S$	max. 4 A
Current consumption from $U_S$	typ. 5 mA (plus power supply for sensors)
	max. 400 mA

### Analog outputs

Number of outputs	4
Connection method	M12 connector
	2, 4-conductor
Output name	Analog outputs
Type of protection	Short-circuit protection
Current output signal	0 mA ... 0.02 A
	4 mA ... 0.02 A
Voltage output signal	0 V ... 5 V
	-5 V ... 5 V
	0 V ... 10 V
	-10 V ... 10 V

### Standards and Regulations

Test section	To I/O 500 V AC
Connection in acc. with standard	CUL
Protection class	III, IEC 61140, EN 61140, VDE 0140-1

# Distributed I/O device - FLM AO 4 SF M12 - 2736466

## Classifications

### eCl@ss

eCl@ss 4.0	27250303
eCl@ss 4.1	27250303
eCl@ss 5.0	27250303
eCl@ss 5.1	27250303
eCl@ss 6.0	27242601
eCl@ss 7.0	27242601
eCl@ss 8.0	27242601

### ETIM

ETIM 2.0	EC001431
ETIM 3.0	EC001596
ETIM 4.0	EC001596
ETIM 5.0	EC001596

### UNSPSC

UNSPSC 6.01	43172015
UNSPSC 7.0901	43201404
UNSPSC 11	43172015
UNSPSC 12.01	43201404
UNSPSC 13.2	43201404

## Approvals

### Approvals

---

#### Approvals

UL Recognized / cUL Recognized / EAC / cULus Recognized

---

#### Ex Approvals

UL Recognized / cUL Recognized / cULus Recognized

---

#### Approvals submitted

---

### Approval details

UL Recognized
---------------

# Distributed I/O device - FLM AO 4 SF M12 - 2736466

## Approvals

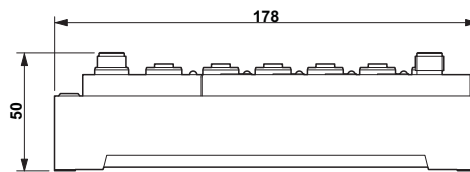
cUL Recognized

EAC

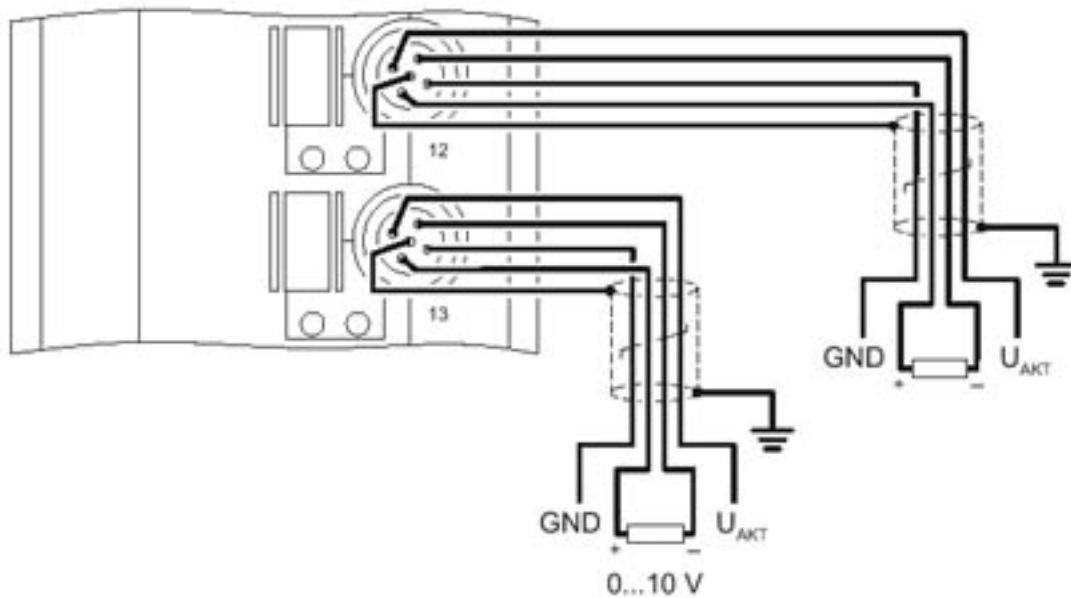
cULus Recognized

## Drawings

Dimensional drawing



Connection diagram



Phoenix Contact 2016 © - all rights reserved  
<http://www.phoenixcontact.com>

PHOENIX CONTACT GmbH & Co. KG  
Flachmarktstr. 8  
32825 Blomberg  
Germany  
Tel. +49 5235 300  
Fax +49 5235 3 41200  
<http://www.phoenixcontact.com>

Below is a list of articles with direct links to our shop Electric Automation Network where you can see:

- Quote per purchase volume in real time.
- Online documentation and datasheets of all products.
- Estimated delivery time enquiry in real time.
- Logistics systems for the shipment of materials almost anywhere in the world.
- Purchasing management, order record and tracking of shipments.

To access the product, [click on the green button.](#)

<b>Product</b>	<b>Code</b>	<b>Reference</b>	<b>Product link</b>
The local bus device has 4 analog outputs. Functions: 2 current and 4 voltage output ranges, 500 kbaud/2 Mbaud selection, PCP or process data communication, channel-specific diagnostics, short-circuit/overload protection, M12 fast connection technology.	2736466	FLM AO 4 SF M12	<a href="#">Buy on EAN</a>