



Automatización Eléctrica
Especialistas en Automatización

At the end of this document you will find links to products related to this catalog. You can go directly to our shop by clicking [HERE](#). [HERE](#)

Distributed I/O device - FLS PB M12 DIO 4/4 M12-2A - 2736107

Please be informed that the data shown in this PDF Document is generated from our Online Catalog. Please find the complete data in the user's documentation. Our General Terms of Use for Downloads are valid (<http://phoenixcontact.com/download>)



The stand-alone device for PROFIBUS has 4 digital inputs and 4 digital outputs each with a load capacity of 2 A. The M12 connection is established using fast connection technology. The 24 V DC supply is protected against short circuit and overload.

Product Description

This device is used for digital signal acquisition and output.

Why buy this product

- Flexible power supply concept
- Diagnostic and status indicators
- SPEEDCON fast locking system
- Short-circuit and overload protection
- Consistent connection via M12 connectors
- Directly accessible address encoding switch



Key Commercial Data

Packing unit	1 STK
GTIN	 4 017918 899592

Technical data

Note

Utilization restriction	EMC: class A product, see manufacturer's declaration in the download area
-------------------------	---

Dimensions

Width	60 mm
Height	178 mm
Depth	49.3 mm
Drill hole spacing	168 mm

Ambient conditions

Ambient temperature (operation)	-25 °C ... 60 °C
Ambient temperature (storage/transport)	-25 °C ... 85 °C

Distributed I/O device - FLS PB M12 DIO 4/4 M12-2A - 2736107

Technical data

Ambient conditions

Permissible humidity (storage/transport)	95 %
Air pressure (operation)	80 kPa ... 106 kPa (up to 2000 m above sea level)
Air pressure (storage/transport)	70 kPa ... 106 kPa (up to 3000 m above sea level)
Degree of protection	IP65/IP67

General

Net weight	340 g
Mounting type	Wall mounting

Interfaces

Fieldbus system	PROFIBUS DP
Designation	PROFIBUS DP
Connection method	2x M12 connectors, B-coded
Designation connection point	Copper cable
Transmission speed	9,6 kBit/s ... 12 MBit/s (Automatic baud rate detection)
Transmission physics	PROFIBUS-DP-compliant copper cable
Address area assignment	1 ... 99, can be set
Number of positions	5

Power supply for module electronics

Connection method	M12 connector, (A-coded)
Designation	U _L
Supply voltage	24 V DC
Supply voltage range	18 V DC ... 30 V DC (including ripple)

Fieldline potentials

Voltage supply U _L	24 V DC
Power supply at U _L	max. 4 A
Current consumption from U _L	typ. 40 mA
	max. 100 mA
Voltage supply U _S	24 V DC
Power supply at U _S	max. 4 A
Current consumption from U _S	typ. 5 mA (plus sensor current)
	max. 700 mA
Voltage supply U _{A11}	24 V DC
Power supply at U _{A11}	max. 4 A
Current consumption at U _{A11}	typ. 6 mA (plus actuator current)
	max. 4 A
Voltage supply U _{A12}	24 V DC
Power supply at U _{A12}	max. 4 A
Current consumption at U _{A12}	typ. 6 mA (plus actuator current)
	max. 4 A

Distributed I/O device - FLS PB M12 DIO 4/4 M12-2A - 2736107

Technical data

Digital inputs

Input name	Digital inputs
Connection method	M12 connector
	2, 3, 4-wire
Number of inputs	4 (EN 61131-2 type 1)
Protective circuit	Protection against polarity reversal
Filter time	3 ms
Input voltage	24 V DC
Input voltage range "0" signal	-30 V DC ... 5 V DC
Input voltage range "1" signal	13 V DC ... 30 V DC

Digital outputs

Output name	Digital outputs
Connection method	M12 connector
	2, 3-wire
Number of outputs	4
Protective circuit	Short-circuit protection
Output voltage	24 V DC
Maximum output current per channel	2 A

Standards and Regulations

Test section	24 V supply (bus logics) / Bus connection 500 V AC 50 Hz 1 min.
	24 V supply (bus logics) / FE 500 V AC 50 Hz 1 min.
	24 V supply (bus logics) / Digital inputs (sensor supply / I/O) 500 V AC 50 Hz 1 min.
	24 V supply (bus logics) / Digital outputs (actuator supply) 500 V AC 50 Hz 1 min.
	Bus connection / FE 500 V AC 50 Hz 1 min.
	Bus connection / Digital inputs (sensor supply) 500 V AC 50 Hz 1 min.
	Bus connection / Digital outputs (actuator supply) 500 V AC 50 Hz 1 min.
	FE / Digital outputs (actuator supply) 500 V AC 50 Hz 1 min.
	FE / Digital inputs (sensor supply) 500 V AC 50 Hz 1 min.
	Digital outputs (actuator supply) / Digital outputs (actuator supply) 500 V AC 50 Hz 1 min.
Connection in acc. with standard	CUL
Protection class	III, IEC 61140, EN 61140, VDE 0140-1

Classifications

eCl@ss

eCl@ss 4.0	27250302
eCl@ss 4.1	27250302
eCl@ss 5.0	27250302
eCl@ss 5.1	27242604

Distributed I/O device - FLS PB M12 DIO 4/4 M12-2A - 2736107

Classifications

eCl@ss

eCl@ss 6.0	27242604
eCl@ss 7.0	27242604
eCl@ss 8.0	27242604
eCl@ss 9.0	27242604

ETIM

ETIM 2.0	EC001430
ETIM 3.0	EC001599
ETIM 4.0	EC001599
ETIM 5.0	EC001599

UNSPSC

UNSPSC 6.01	43172015
UNSPSC 7.0901	43201404
UNSPSC 11	43172015
UNSPSC 12.01	43201404
UNSPSC 13.2	43201404

Approvals

Approvals

Approvals

UL Recognized / cUL Recognized / PROFIBUS / EAC / EAC / cULus Recognized

Ex Approvals

UL Recognized / cUL Recognized / cULus Recognized

Approvals submitted

Approval details

UL Recognized

cUL Recognized

Distributed I/O device - FLS PB M12 DIO 4/4 M12-2A - 2736107

Approvals

PROFIBUS

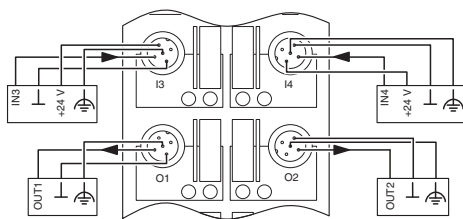
EAC

EAC

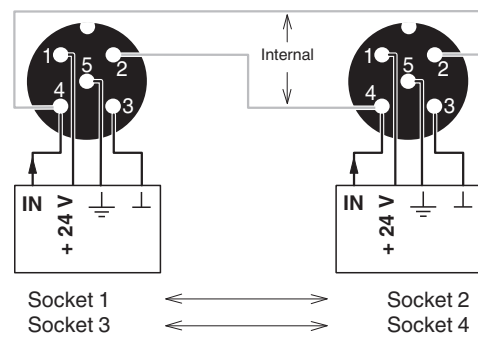
cULus Recognized US

Drawings

Connection diagram

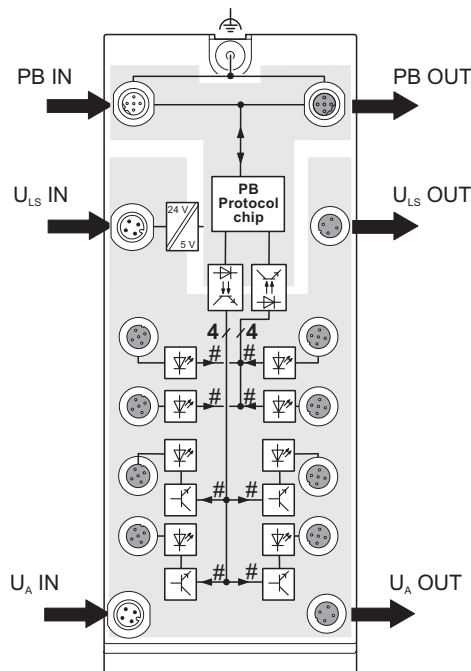


Connection diagram

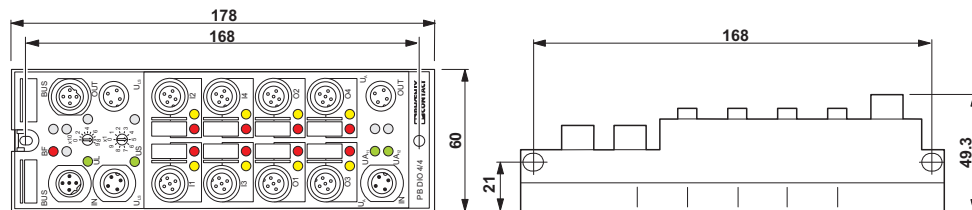


Distributed I/O device - FLS PB M12 DIO 4/4 M12-2A - 2736107

Block diagram



Dimensional drawing



Phoenix Contact 2016 © - all rights reserved
<http://www.phoenixcontact.com>

PHOENIX CONTACT GmbH & Co. KG
Flachsmarktstr. 8
32825 Blomberg
Germany
Tel. +49 5235 300
Fax +49 5235 3 41200
<http://www.phoenixcontact.com>

Below is a list of articles with direct links to our shop Electric Automation Network where you can see:

- Quote per purchase volume in real time.
- Online documentation and datasheets of all products.
- Estimated delivery time enquiry in real time.
- Logistics systems for the shipment of materials almost anywhere in the world.
- Purchasing management, order record and tracking of shipments.

To access the product, [click on the green button.](#)

Product	Code	Reference	Product link
The stand-alone device for PROFIBUS has 4 digital inputs and 4 digital outputs each with a load capacity of 2 A. The M12 connection is established using fast connection technology. The 24 V DC supply is protected against short circuit and overload.	2736107	FLS PB M12 DIO 4/4 M12-2A	Buy on EAN