



Automatización Eléctrica
Especialistas en Automatización

At the end of this document you will find links to products related to this catalog. You can go directly to our shop by clicking [HERE](#). [HERE](#)

Control cabinet - FB-8-AL - 2316200

Please be informed that the data shown in this PDF Document is generated from our Online Catalog. Please find the complete data in the user's documentation. Our General Terms of Use for Downloads are valid (<http://phoenixcontact.com/download>)



Aluminum field junction box with 8 ports for use in hazardous locations. Includes FB-ET trunk module, Plugtrab base with option for surge protection plug, and DIN rail space for up to 6 device couplers.

Why buy this product

- Developed specifically for field device coupler systems
- Cable glands, plugs, and breather must be ordered separately
- Each housing has M20 ports and can be configured as desired
- Entries for the trunk line (input/output) and breather connections
- Includes an FB-ET trunk line module and enables the installation of additional couplers and PT plugs
- Busbar and shield clamps



Key Commercial Data

Packing unit	1 STK
GTIN	 4 046356 620406

Technical data

Dimensions

Width	202 mm
Height	232 mm
Depth	111 mm

Ambient conditions

Ambient temperature (operation)	-40 °C ... 85 °C
Degree of protection	IP66 / NEMA 4X

General

Mounting position	vertical
Net weight	2980 g
Housing material	Aluminum, die-cast, corrosion resistant, powder-coated

Control cabinet - FB-8-AL - 2316200

Technical data

General

ATEX	# II 2 G/2 D
------	--------------

Standards and Regulations

ATEX	# II 2 G/2 D
------	--------------

Classifications

eCl@ss

eCl@ss 4.0	27250203
eCl@ss 4.1	27250203
eCl@ss 5.0	27250203
eCl@ss 5.1	27259205
eCl@ss 6.0	27242610
eCl@ss 7.0	27242610
eCl@ss 8.0	27180101

ETIM

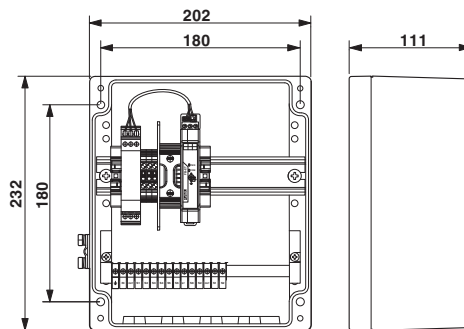
ETIM 3.0	EC001600
ETIM 4.0	EC000261
ETIM 5.0	EC000261

UNSPSC

UNSPSC 6.01	30211506
UNSPSC 7.0901	39121008
UNSPSC 11	39121008
UNSPSC 12.01	39121008
UNSPSC 13.2	43201553

Drawings

Dimensional drawing



Phoenix Contact 2016 © - all rights reserved
<http://www.phoenixcontact.com>

PHOENIX CONTACT GmbH & Co. KG
Flachsmarktstr. 8
32825 Blomberg
Germany
Tel. +49 5235 300
Fax +49 5235 3 41200
<http://www.phoenixcontact.com>



Below is a list of articles with direct links to our shop Electric Automation Network where you can see:

- Quote per purchase volume in real time.
- Online documentation and datasheets of all products.
- Estimated delivery time enquiry in real time.
- Logistics systems for the shipment of materials almost anywhere in the world.
- Purchasing management, order record and tracking of shipments.

To access the product, [click on the green button.](#)

Product	Code	Reference	Product link
Aluminum field junction box with 8 ports for use in hazardous locations. Includes FB-ET trunk module, Plugtrab base with option for surge protection plug, and DIN rail space for up to 6 device couplers.	2316200	FB-8-AL	Buy on EAN