



Automatización Eléctrica
Especialistas en Automatización

At the end of this document you will find links to products related to this catalog. You can go directly to our shop by clicking [HERE](#). [HERE](#)

Power module - FB-PS-PLUG-24DC/28DC/0.5/EX - 2316132

Please be informed that the data shown in this PDF Document is generated from our Online Catalog. Please find the complete data in the user's documentation. Our General Terms of Use for Downloads are valid (<http://phoenixcontact.com/download>)



Power supply plug for fieldbus system in hazardous locations. Provides 500 mA @ 28 V DC to couplers along the trunk.



Key Commercial Data

Packing unit	1 STK
GTIN	 4 046356 619981

Technical data

Note

Utilization restriction	EMC: class A product, see manufacturer's declaration in the download area
-------------------------	---

Dimensions

Width	17.5 mm
Height	117.6 mm
Depth	115 mm

Ambient conditions

Degree of protection	IP20
Ambient temperature (operation)	-40 °C ... 70 °C
Ambient temperature (storage/transport)	-40 °C ... 85 °C
Max. permissible relative humidity (operation)	95 % (non-condensing)

Input data

Nominal input voltage	24 V DC
Nominal input voltage range	18.5 V DC ... 30.5 V DC

Output data

Output voltage range	28 V DC ... 30 V DC (on the trunk)
Nominal output current	500 mA

Power module - FB-PS-PLUG-24DC/28DC/0.5/EX - 2316132

Technical data

Output data

Connection in parallel	Yes, for redundancy
Connection in series	No
Output power	13.5 W

General

Net weight	181 g
Assembly instructions	Plug-in connections may only be operated only when there is no load/voltage.

Connection data, output

Connection method	Plug connection
-------------------	-----------------

Signaling

Output name	Power OK
-------------	----------

Safety data

Input voltage U_i	30.5 V DC (input power)
Input current I_i	850 mA (input power)
Max. output voltage U_o	30 V DC (trunk and host)
ATEX	Sira 11ATEX4216X; II 3 G Ex nA nC IIC T4 Gc
IECEX	IECEX SIR 11.0097X; Ex nA nC IIC T4 Gc
CSA, USA/Canada	Class I, Div. 2, Groups A, B, C, D; Ex nA nC IIC T4 Class I, Zone 2, AEx nA nC IIC T4

Standards and Regulations

Standards/regulations	NE21
	EN 61326
Fieldbus Foundation	FF-831
ATEX	Sira 11ATEX4216X; II 3 G Ex nA nC IIC T4 Gc
IECEX	IECEX SIR 11.0097X; Ex nA nC IIC T4 Gc
CSA, USA/Canada	Class I, Div. 2, Groups A, B, C, D; Ex nA nC IIC T4 Class I, Zone 2, AEx nA nC IIC T4

Classifications

eCl@ss

eCl@ss 4.0	27250312
eCl@ss 4.1	27250312
eCl@ss 5.0	27242208
eCl@ss 5.1	27242208
eCl@ss 6.0	27242208
eCl@ss 7.0	27242208
eCl@ss 8.0	27242611

Power module - FB-PS-PLUG-24DC/28DC/0.5/EX - 2316132

Classifications

ETIM

ETIM 3.0	EC000310
ETIM 4.0	EC000599
ETIM 5.0	EC002583

UNSPSC

UNSPSC 6.01	30211506
UNSPSC 7.0901	39121008
UNSPSC 11	39121008
UNSPSC 12.01	39121008
UNSPSC 13.2	43201553

Approvals

Approvals

Approvals

EAC

Ex Approvals

IECEX / ATEX / CSA / CSAus / cCSAus

Approvals submitted

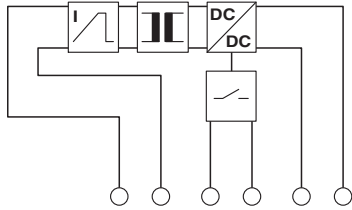
Approval details

EAC

Drawings

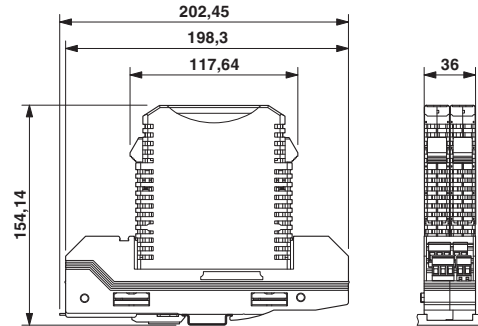
Power module - FB-PS-PLUG-24DC/28DC/0.5/EX - 2316132

Block diagram



Connection diagram: FB-PS-PLUG-24DC/28DC/0.5/EX

Dimensional drawing



Power supply base and plug

Phoenix Contact 2016 © - all rights reserved
<http://www.phoenixcontact.com>

PHOENIX CONTACT GmbH & Co. KG
Flachsmarktstr. 8
32825 Blomberg
Germany
Tel. +49 5235 300
Fax +49 5235 3 41200
<http://www.phoenixcontact.com>



Below is a list of articles with direct links to our shop Electric Automation Network where you can see:

- Quote per purchase volume in real time.
- Online documentation and datasheets of all products.
- Estimated delivery time enquiry in real time.
- Logistics systems for the shipment of materials almost anywhere in the world.
- Purchasing management, order record and tracking of shipments.

To access the product, [click on the green button.](#)

Product	Code	Reference	Product link
Power supply plug for fieldbus system in hazardous locations. Provides 500 mA @ 28 V DC to couplers along the trunk.	2316132	FB-PS-PLUG-24DC/28DC/0.5/EX	Buy on EAN