



Automatización Eléctrica
Especialistas en Automatización

At the end of this document you will find links to products related to this catalog. You can go directly to our shop by clicking [HERE](#). [HERE](#)

Passive module - FLKMS-KS40/SI/AI16/YCS - 2314273

Please be informed that the data shown in this PDF Document is generated from our Online Catalog. Please find the complete data in the user's documentation. Our General Terms of Use for Downloads are valid (<http://phoenixcontact.com/download>)



16-channel analog module with a screw connection and a fuse for each signal path (5 x 20 mm) with failure indication (LED). The voltage supply and the 40-pos. system connection are designed redundantly. Suitable for the Yokogawa AAI141 and AAI143 cards.

Why buy this product

- For AAI 141 and AAI 143 analog modules (module operation in 4-wire mode)
- Transfer of 16 channels with separate positive and negative connections
- 16 plug-in fuses (IEC 127-2, 5 x 20, 0.1 A) per positive supply and LED status indicator
- Redundant voltage supply (IEC 127-2, 5 x 20, 2 A fuse)

Key Commercial Data

Packing unit	1 STK
GTIN	 4 046356 143790

Technical data

Dimensions

Width	214 mm
Height	126 mm
Depth	81 mm

Ambient conditions

Ambient temperature (operation)	-20 °C ... 50 °C
Ambient temperature (storage/transport)	-20 °C ... 70 °C

General

Max. perm. operating voltage	30 V DC
Max. perm. current (per branch)	100 mA
Max. permissible current (all branches)	2 A (P1+, P2+)
Number of positions	40
Mounting position	any
Assembly instructions	In rows with zero spacing
Degree of protection	IP00
Standards/regulations	DIN EN 50178
	IEC 60664

Passive module - FLKMS-KS40/SI/AI16/YCS - 2314273

Technical data

General

	IEC 62103
Rated insulation voltage	50 V
Rated surge voltage	0.5 kV (Functional insulation)
Degree of pollution	2
Overvoltage category	II

Connection data for connection 1

Connection name	Field level
Connection method	Screw connection
Stripping length	8 mm
Screw thread	M3
Conductor cross section solid	0.2 mm ² ... 4 mm ²
Conductor cross section flexible	0.2 mm ² ... 2.5 mm ²
Conductor cross section AWG	24 ... 12

Connection data for connection 2

Connection name	Controller level
Connection method	Yokogawa KS-compatible
Torque	0.5 Nm
Number of connections	2
Number of positions	40
Note	Usable system cables: Phoenix Contact YUC40, Yokogawa KS1

Connection data for connection 3

Connection name	HART connector
Connection method	HART connector
Number of connections	1

Supported controller

Controller	YOKOGAWA CS3000 CentumVP
- suitable I/O card	AAI141
	AAI143
Controller	YOKOGAWA STARDOM
- suitable I/O card	NFAI141
	NFAI143
	NFAI135

Standards and Regulations

Standards/regulations	DIN EN 50178
	IEC 60664
	IEC 62103
Degree of pollution	2
Overvoltage category	II

Passive module - FLKMS-KS40/SI/AI16/YCS - 2314273

Classifications

eCl@ss

eCl@ss 4.0	27250313
eCl@ss 4.1	27250313
eCl@ss 5.0	27250313
eCl@ss 5.1	27250313
eCl@ss 6.0	27371601
eCl@ss 7.0	27371601
eCl@ss 8.0	27141152

ETIM

ETIM 2.0	EC001437
ETIM 3.0	EC001437
ETIM 4.0	EC001437
ETIM 5.0	EC002780

UNSPSC

UNSPSC 6.01	30211824
UNSPSC 7.0901	39121421
UNSPSC 11	39121421
UNSPSC 12.01	39121421
UNSPSC 13.2	39121421

Approvals

Approvals

Approvals

EAC

Ex Approvals

Approvals submitted

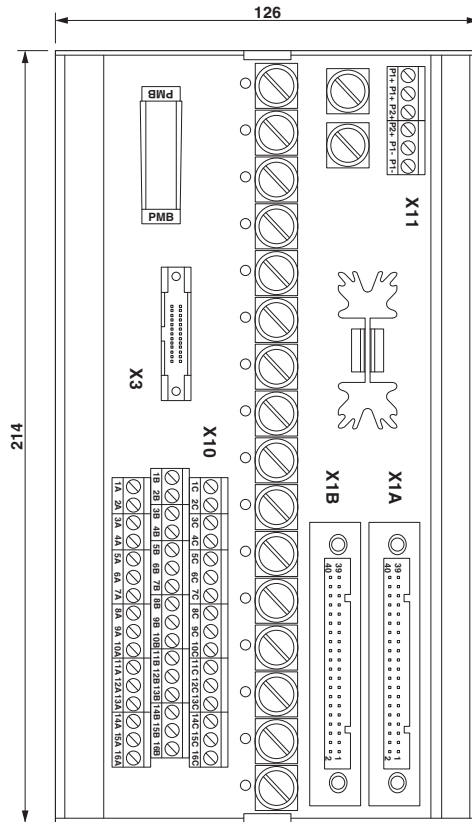
Approval details

EAC

Drawings

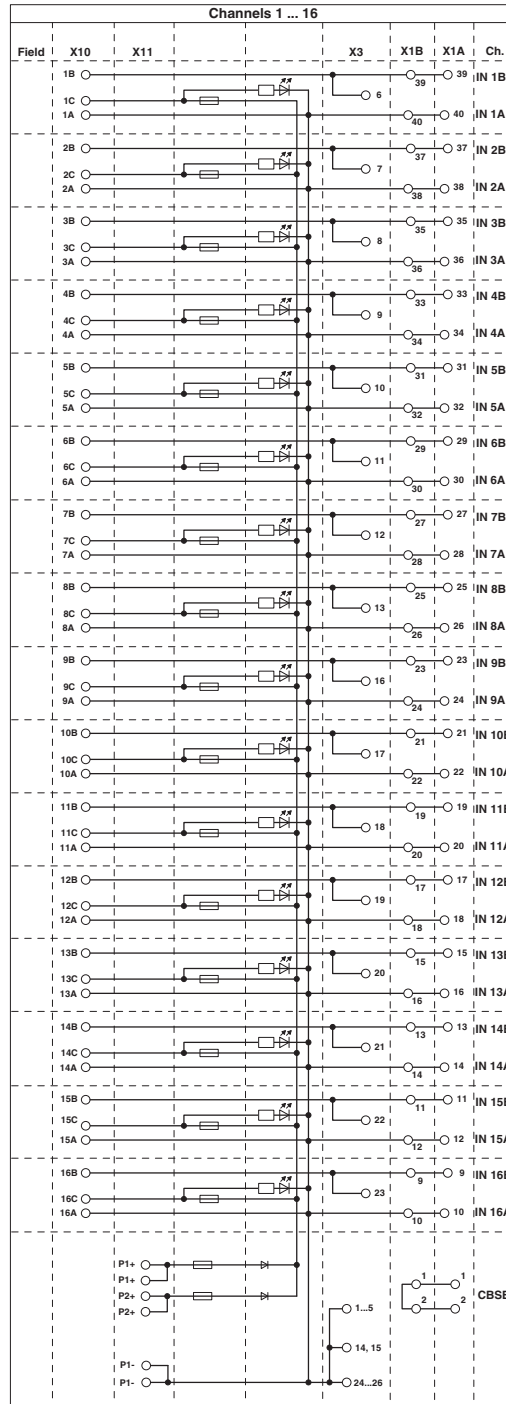
Passive module - FLKMS-KS40/SI/AI16/YCS - 2314273

Dimensional drawing



Passive module - FLKMS-KS40/SI/AI16/YCS - 2314273

Circuit diagram



Phoenix Contact 2016 © - all rights reserved
<http://www.phoenixcontact.com>

PHOENIX CONTACT GmbH & Co. KG
Flachsmarktstr. 8
32825 Blomberg
Germany
Tel. +49 5235 300
Fax +49 5235 3 41200
<http://www.phoenixcontact.com>

Below is a list of articles with direct links to our shop Electric Automation Network where you can see:

- Quote per purchase volume in real time.
- Online documentation and datasheets of all products.
- Estimated delivery time enquiry in real time.
- Logistics systems for the shipment of materials almost anywhere in the world.
- Purchasing management, order record and tracking of shipments.

To access the product, [click on the green button.](#)

Product	Code	Reference	Product link
16-channel analog module with a screw connection and a fuse for each signal path (5 x 20 mm) with failure indication (LED). The voltage supply and the 40-pos. system connection are designed redundantly. Suitable for the Yokogawa AAI141 and AAI143 cards.	2314273	FLKMS-KS40/ SI/AI16/YCS	Buy on EAN