



Automatización Eléctrica
Especialistas en Automatización

At the end of this document you will find links to products related to this catalog. You can go directly to our shop by clicking [HERE](#). [HERE](#)

Network isolator - FL ISOLATOR 1000-RJ/RJ - 2313915

Please be informed that the data shown in this PDF Document is generated from our Online Catalog. Please find the complete data in the user's documentation. Our General Terms of Use for Downloads are valid (<http://phoenixcontact.com/download>)



Passive network isolator for electrical isolation in Ethernet networks. This protects Ethernet devices from potential differences of up to 4 kV. Can be used for transmission speeds of up to 1 Gbps. Possible to connect two RJ45 plugs.

Why buy this product

- No power supply required
- Dielectric strength of up to 4 kV
- Protection against aggressive environmental influences, particularly harsh industrial environments, thanks to coated PCB
- Approval for railway applications (rolling stock) according to EN 50155 and EN 50121
- Electrical isolation of data cables and cable shielding
- Extended temperature range of -25°C to +85°C
- Mounting on EN DIN rails
- Transmission speed of up to 1000 Mbps
- Continuous insulation voltage of 250 VRMS



Key Commercial Data

Packing unit	1 STK
GTIN	 4 046356 574563

Technical data

Dimensions

Width	22.5 mm
Height	99 mm
Depth	92 mm

Ambient conditions

Ambient temperature (operation)	-25 °C ... 75 °C
Ambient temperature (storage/transport)	-25 °C ... 85 °C
Permissible humidity (operation)	10 % ... 95 % (non-condensing)
Permissible humidity (storage/transport)	5 % ... 95 % (non-condensing)

Network isolator - FL ISOLATOR 1000-RJ/RJ - 2313915

Technical data

Ambient conditions

Altitude	5000 m (For restrictions see manufacturer's declaration)
Degree of protection	IP20

General

Electrical isolation	Ethernet // Ethernet
Test voltage data interface/data interface	4 kV AC (50 Hz, 1 min.)
Insulation voltage input/output	250 V _{rms}
Standards/regulations	EN 50121 and EN 50155 (for railway applications)
Electromagnetic compatibility	Conformance with EMC Directive 2004/108/EC (valid until 19.04.2016) / 2014/30/EU (valid from 20.04.2016)
Net weight	122.3 g
Housing material	PA 6.6-FR
Color	green
MTBF	25932 Years (Telcordia standard, 25°C temperature, 21% operating cycle (5 days a week, 8 hours a day))
	8640 Years (Telcordia standard, 40°C temperature, 34.25% operating cycle (5 days a week, 12 hours a day))
UL, USA / Canada	508 listed

Serial interface

Interface 1	Ethernet interface, 10/100/1000Base-T(X) according to IEEE 802.3u
Interface	Ethernet
Connection method	RJ45 socket, shielded
Transmission length	≤ 100 m (Total length across both ports (dependent on data rate and cable used))
Serial transmission speed	10/100/1000 Mbps
Interface 2	Ethernet interface, 10/100/1000Base-T(X) according to IEEE 802.3u
Interface	Ethernet
Connection method	RJ45 socket, shielded
Serial transmission speed	10/100/1000 Mbps

Standards and Regulations

Electromagnetic compatibility	Conformance with EMC Directive 2004/108/EC (valid until 19.04.2016) / 2014/30/EU (valid from 20.04.2016)
Type of test	Vibration resistance in acc. with EN 60068-2-6/IEC 60068-2-6
Test result	5g, 10-150 Hz, 2.5 h, in XYZ direction
Type of test	Shock in acc. with EN 60068-2-27/IEC 60068-2-27
Test result	25g, 11 ms period, half-sine shock pulse
Standards/regulations	EN 61000-4-3
	EN 61000-4-4
	EN 61000-4-6
	EN 50121 and EN 50155 (for railway applications)
UL, USA / Canada	508 listed

Network isolator - FL ISOLATOR 1000-RJ/RJ - 2313915

Classifications

eCl@ss

eCl@ss 4.0	27250591
eCl@ss 4.1	27230207
eCl@ss 5.0	27230207
eCl@ss 5.1	27061803
eCl@ss 6.0	27061803
eCl@ss 7.0	27061803
eCl@ss 8.0	27249290
eCl@ss 9.0	27240692

ETIM

ETIM 3.0	EC000313
ETIM 4.0	EC000467
ETIM 5.0	EC002584

UNSPSC

UNSPSC 6.01	26121607
UNSPSC 7.0901	26121607
UNSPSC 11	26121607
UNSPSC 12.01	26121607
UNSPSC 13.2	26121607

Approvals

Approvals


Approvals

UL Listed / cUL Listed / DNV / EAC / cULus Listed

Ex Approvals

Approvals submitted

Approval details

UL Listed 

Network isolator - FL ISOLATOR 1000-RJ/RJ - 2313915

Approvals

cUL Listed

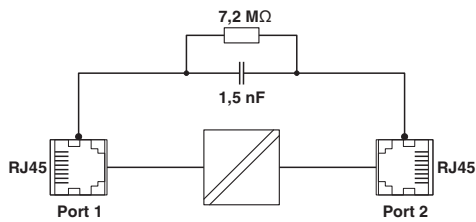
DNV

EAC

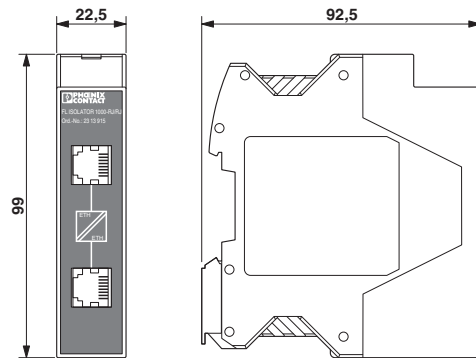
cULus Listed

Drawings

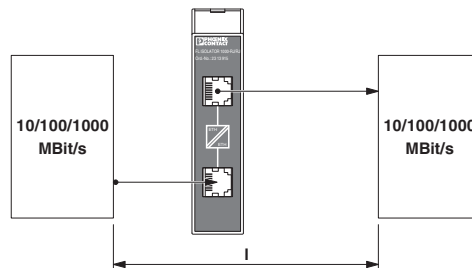
Block diagram



Dimensional drawing



Schematic diagram



Phoenix Contact 2016 © - all rights reserved
<http://www.phoenixcontact.com>

PHOENIX CONTACT GmbH & Co. KG
Flachmarktstr. 8
32825 Blomberg
Germany
Tel. +49 5235 300
Fax +49 5235 3 41200
<http://www.phoenixcontact.com>



Below is a list of articles with direct links to our shop Electric Automation Network where you can see:

- Quote per purchase volume in real time.
- Online documentation and datasheets of all products.
- Estimated delivery time enquiry in real time.
- Logistics systems for the shipment of materials almost anywhere in the world.
- Purchasing management, order record and tracking of shipments.

To access the product, [click on the green button.](#)

Product	Code	Reference	Product link
Passive network isolator for electrical isolation in Ethernet networks. This protects Ethernet devices from potential differences of up to 4 kV. Can be used for transmission speeds of up to 1 Gbps. Possible to connect two RJ45 plugs.	2313915	FL ISOLATOR 1000-RJ/RJ	Buy on EAN