



**Automatización Eléctrica**  
Especialistas en Automatización

At the end of this document you will find links to products related to this catalog. You can go directly to our shop by clicking [HERE](#). [HERE](#)

## Universal current transducer - MCR-SL-CUC-100-I - 2308027

Please be informed that the data shown in this PDF Document is generated from our Online Catalog. Please find the complete data in the user's documentation. Our General Terms of Use for Downloads are valid (<http://phoenixcontact.com/download>)



Universal current transducer, for measuring AC, DC, and distorted currents, 0 ... 100 A input current, 4 ... 20 mA output

### Why buy this product

- Variable mounting on DIN rail and mounting plate
- Compact dimensions also enable distributed use
- Simple connection technology thanks to COMBICON plug-in connection terminal blocks
- 3-way isolation
- Universal current measurement, no shunt required

### Key Commercial Data

Packing unit	1 STK
GTIN	 4 046356 433808

### Technical data

#### Dimensions

Width	90 mm
Height	33.8 mm
Depth	85 mm

#### Ambient conditions

Ambient temperature (operation)	-40 °C ... 65 °C
Ambient temperature (storage/transport)	-40 °C ... 85 °C
Degree of protection	IP20

#### Input data

Input current range	0 A ... 100 A
Overload capacity	6 x I <sub>IN</sub>
Frequency measuring range	20 Hz ... 6000 Hz (0 Hz)
Connection method	Cable design: 32 mm diameter

#### Output data

Output name	Current output
-------------	----------------

# Universal current transducer - MCR-SL-CUC-100-I - 2308027

## Technical data

### Output data

Current output signal	4 mA ... 0.02 A
Max. output current	< 25 mA
Load/output load current output	< 300 Ω

### Switching output

Output name	No switching output
-------------	---------------------

### Power supply

Nominal supply voltage	24 V DC
Supply voltage range	20 V DC ... 30 V DC
Max. current consumption	(30 + I <sub>OUT</sub> ) mA
Power consumption	1.65 W

### Connection data

Conductor cross section solid min.	0.25 mm <sup>2</sup>
Conductor cross section solid max.	2.5 mm <sup>2</sup>
Conductor cross section AWG min.	24
Conductor cross section AWG max.	12
Conductor cross section flexible min.	0.2 mm <sup>2</sup>
Conductor cross section flexible max.	2.5 mm <sup>2</sup>
Stripping length	10 mm

### General

Maximum transmission error	<± 1 % (of final value)
Temperature coefficient, typical	0.02 %/K (0 ... 60°C)
	0.04 %/K (-40 ... 65°C)
Linearity error	<± 1 % (From the range end value)
Step response (10-90%)	150 ms
Overvoltage category	III
Degree of pollution	2
Rated insulation voltage	300 V AC
Test voltage input/output	3.5 kV (50 Hz, 1 min.)
Test voltage input/power supply	3.5 kV (50 Hz, 1 min.)
Noise emission	EN 61000-6-4
Noise immunity	EN 61000-6-2
Color	green
Housing material	Frianyl B63 V0 GV30
Conformance	CE-compliant
UL, USA / Canada	UL/C-UL listed UL 508

### Standards and Regulations

Noise emission	EN 61000-6-4
Noise immunity	EN 61000-6-2

# Universal current transducer - MCR-SL-CUC-100-I - 2308027

## Technical data

### Standards and Regulations

Conformance	CE-compliant
UL, USA / Canada	UL/C-UL listed UL 508

## Classifications

### eCl@ss

eCl@ss 4.0	27200303
eCl@ss 4.1	27200303
eCl@ss 5.0	27200303
eCl@ss 5.1	27200303
eCl@ss 6.0	27200303
eCl@ss 7.0	27142316
eCl@ss 8.0	27210902

### ETIM

ETIM 3.0	EC002475
ETIM 4.0	EC002048
ETIM 5.0	EC002048

### UNSPSC

UNSPSC 6.01	30211504
UNSPSC 7.0901	39121006
UNSPSC 11	39121006
UNSPSC 12.01	39121006
UNSPSC 13.2	39121006

## Approvals

### Approvals

---

#### Approvals

UL Listed / cUL Listed / EAC / EAC / EAC / cULus Listed

---

#### Ex Approvals

---

#### Approvals submitted

---

#### Approval details

# Universal current transducer - MCR-SL-CUC-100-I - 2308027

## Approvals

UL Listed

cUL Listed

EAC

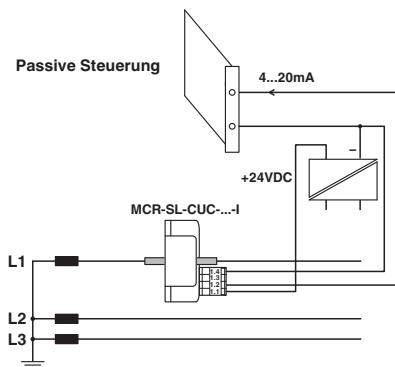
EAC

EAC

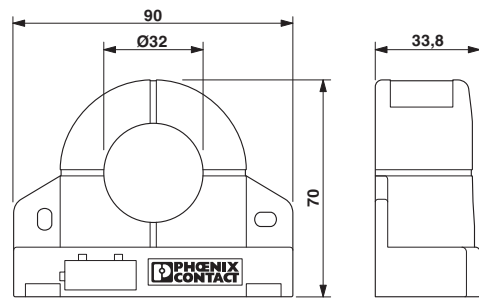
cULus Listed

## Drawings

Application drawing



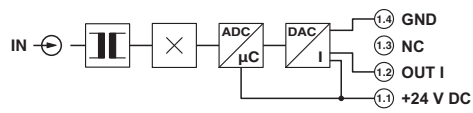
Dimensional drawing



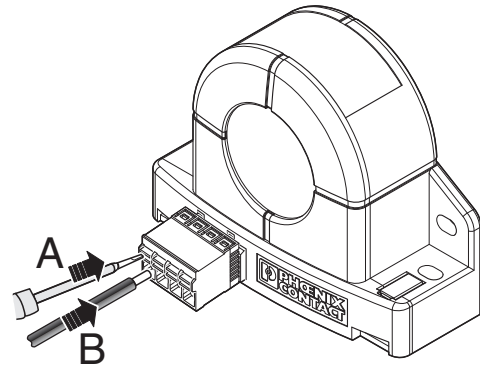
Current monitoring

# Universal current transducer - MCR-SL-CUC-100-I - 2308027

Circuit diagram



Schematic diagram



Phoenix Contact 2016 © - all rights reserved  
<http://www.phoenixcontact.com>

PHOENIX CONTACT GmbH & Co. KG  
Flachsmarktstr. 8  
32825 Blomberg  
Germany  
Tel. +49 5235 300  
Fax +49 5235 3 41200  
<http://www.phoenixcontact.com>



**Automatización Eléctrica**  
Especialistas en Automatización

Below is a list of articles with direct links to our shop Electric Automation Network where you can see:

- Quote per purchase volume in real time.
- Online documentation and datasheets of all products.
- Estimated delivery time enquiry in real time.
- Logistics systems for the shipment of materials almost anywhere in the world.
- Purchasing management, order record and tracking of shipments.

To access the product, [click on the green button.](#)

<b>Product</b>	<b>Code</b>	<b>Reference</b>	<b>Product link</b>
Universal current transducer, for measuring AC, DC, and distorted currents, 0 ... 100 A input current, 4 ... 20 mA output	2308027	MCR-SL-CUC-100-I	<a href="#">Buy on EAN</a>