



**Automatización Eléctrica**  
Especialistas en Automatización

At the end of this document you will find links to products related to this catalog. You can go directly to our shop by clicking [HERE](#). [HERE](#)

## Front adapters - FLKM S115/S7/FLK50/PLC/SO137 - 2306294

Please be informed that the data shown in this PDF Document is generated from our Online Catalog. Please find the complete data in the user's documentation. Our General Terms of Use for Downloads are valid (<http://phoenixcontact.com/download>)



Converter for SIMATIC® S5-115 on 50- pos. FLK strip over which an S7 control can be coupled. Conversion: 6ES5 420-7LA11 / 6ES5 430-7LA11 on 6ES7 321-1BL00-0AA0 or 6ES5 441-7LA11 / 6ES5 451-7LA11 on 6ES7 322-1BL00-0AA0

### Product Description

The old SIMATIC® S5 115 plug is plugged into the VARIOFACE-S5-S7 adapter, the connection to SIMATIC® S7 400 or SIMATIC® S7 300 is via a VARIOFACE system cable, e.g. FLK 50/EZ-DR/.../KONFEK and the VARIOFACE front adapter for SIMATIC® S7 FLKM 50-PA-S400 or FLKM 50-PA-S300.

### Key Commercial Data

Packing unit	1 STK
GTIN	 4 017918 956905

### Technical data

#### Ambient conditions

Ambient temperature (operation)	-20 °C ... 50 °C
Ambient temperature (storage/transport)	-20 °C ... 70 °C

#### General

Note	The components for setting up an adapter carrier as in the application example (data sheet in the download area), which can be used to secure the migration adapter, can be obtained from Heitec AG based in Eckental-Eschenau, Germany. The following order numbers are required for carrier setup: 3685.896 (2 pcs.) 3684.629 (1 pc.) 3684.562 (2 pcs.) 3687.015 (1 unit pack) 3684.610 (2 pcs.) 3684.572 (2 pcs.) 3684.881 (10 pcs.) 3685.837 (10 pcs.) 3685.832 (10 pcs.)
Nominal voltage $U_N$	60 V DC
Max. permissible current	1 A (per path)
Max. permissible total current	2 A (per byte)
Mounting position	any
Degree of protection	IP00
Standards/regulations	IEC 60664

# Front adapters - FLKM S115/S7/FLK50/PLC/SO137 - 2306294

## Technical data

### General

	DIN EN 50178
	IEC 62103
Rated insulation voltage	63 V
Rated surge voltage	0.6 kV (Functional insulation)
Degree of pollution	2
Overvoltage category	II

### Connection data 1

Connection name	Field level
Connection method	IDC/FLK pin strip (2.54 mm)
Number of connections	1
Number of positions	50

### Supported controller

Controller	SIEMENS S5-115 U
- suitable I/O card	6ES5 420-7LA11
	6ES5 430-7LA11
	6ES5 441-7LA11
	6ES5 451-7LA11

### Standards and Regulations

Standards/regulations	IEC 60664
	DIN EN 50178
	IEC 62103
Degree of pollution	2
Overvoltage category	II

## Classifications

### eCl@ss

eCl@ss 4.0	27250313
eCl@ss 4.1	27250313
eCl@ss 5.0	27250313
eCl@ss 5.1	27250313
eCl@ss 6.0	27249205
eCl@ss 7.0	27249205
eCl@ss 8.0	27249205

### ETIM

ETIM 2.0	EC000237
ETIM 3.0	EC000237
ETIM 4.0	EC000237

# Front adapters - FLKM S115/S7/FLK50/PLC/SO137 - 2306294

## Classifications

### ETIM

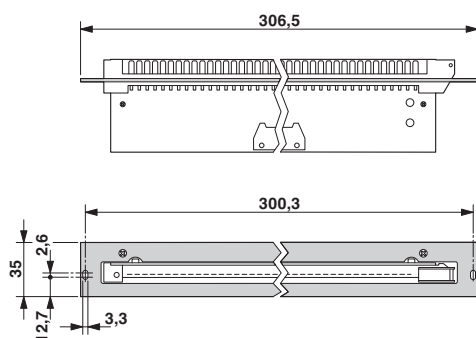
ETIM 5.0	EC002584
----------	----------

### UNSPSC

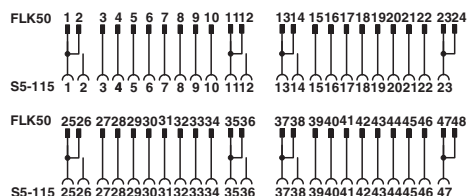
UNSPSC 6.01	30211824
UNSPSC 7.0901	39121421
UNSPSC 11	39121421
UNSPSC 12.01	39121421
UNSPSC 13.2	39121421

## Drawings

Dimensional drawing



Circuit diagram



Connection scheme: FLKM S115/S7/FLK50/PLC/SO137

Phoenix Contact 2016 © - all rights reserved  
<http://www.phoenixcontact.com>

PHOENIX CONTACT GmbH & Co. KG  
 Flachsmarktstr. 8  
 32825 Blomberg  
 Germany  
 Tel. +49 5235 300  
 Fax +49 5235 3 41200  
<http://www.phoenixcontact.com>

Below is a list of articles with direct links to our shop Electric Automation Network where you can see:

- Quote per purchase volume in real time.
- Online documentation and datasheets of all products.
- Estimated delivery time enquiry in real time.
- Logistics systems for the shipment of materials almost anywhere in the world.
- Purchasing management, order record and tracking of shipments.

To access the product, [click on the green button.](#)

Product	Code	Reference	Product link
Converter for SIMATIC® S5-115 on 50- pos. FLK strip over which an S7 control can be coupled. Conversion: 6ES5 420-7LA11 / 6ES5 430-7LA11 on 6ES7 321-1BL00-0AA0 or 6ES5 441-7LA11 / 6ES5 451-7LA11 on 6ES7 322-1BL00-0AA0	2306294	FLKM S115/S7/ FLK50/PLC/ SO137	<a href="#">Buy on EAN</a>