



Automatización Eléctrica
Especialistas en Automatización

At the end of this document you will find links to products related to this catalog. You can go directly to our shop by clicking [HERE](#). [HERE](#)

Printed-circuit board connector - CCVA 2,5/ 6-G-5,08 P26THRR56 - 1956001

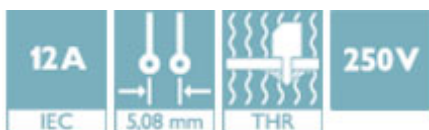
Please be informed that the data shown in this PDF Document is generated from our Online Catalog. Please find the complete data in the user's documentation. Our General Terms of Use for Downloads are valid (<http://phoenixcontact.com/download>)



Header, Nominal current: 12 A, Rated voltage (III/2): 320 V, Number of positions: 6, Pitch: 5.08 mm, Color: black, Contact surface: Tin, Mounting: THR soldering, User information and design recommendations for through hole reflow technology can be found under "Downloads"

Why buy this product

- Standard pin length of 2.6 mm, other pin lengths available on request
- Plug-in direction vertical to the PCB
- Use in SMT reflow processes



Key Commercial Data

| | |
|------------------------|---------------------|
| Packing unit | 140 STK |
| Minimum order quantity | 140 STK |
| GTIN | 4 017918 926762 |

Technical data

Dimensions

| | |
|--------------------------|----------|
| Length | 8.6 mm |
| Pitch | 5.08 mm |
| Dimension a | 25.4 mm |
| Constructional height | 13 mm |
| Height | 12 mm |
| Length of the solder pin | 2.6 mm |
| Pin dimensions | 1 x 1 mm |
| Hole diameter | 1.6 mm |

General

| | |
|---------------------------|---------------|
| Range of articles | CCVA 2,5/..-G |
| Insulating material group | IIIa |

Printed-circuit board connector - CCVA 2,5/ 6-G-5,08 P26THRR56 - 1956001

Technical data

General

| | |
|--|---------------------|
| Rated surge voltage (III/3) | 4 kV |
| Rated surge voltage (III/2) | 4 kV |
| Rated surge voltage (II/2) | 4 kV |
| Rated voltage (III/3) | 250 V |
| Rated voltage (III/2) | 320 V |
| Rated voltage (II/2) | 400 V |
| Connection in acc. with standard | EN-VDE |
| Nominal current I _N | 12 A |
| Maximum load current | 12 A (per position) |
| Insulating material | LCP |
| Flammability rating according to UL 94 | V0 |
| Color | black |
| Number of positions | 6 |

Standards and Regulations

| | |
|--|--------|
| Connection in acc. with standard | EN-VDE |
| | CUL |
| Flammability rating according to UL 94 | V0 |

Classifications

eCl@ss

| | |
|------------|----------|
| eCl@ss 4.0 | 272607xx |
| eCl@ss 4.1 | 27260701 |
| eCl@ss 5.0 | 27260701 |
| eCl@ss 5.1 | 27260701 |
| eCl@ss 6.0 | 27260704 |
| eCl@ss 7.0 | 27440402 |
| eCl@ss 8.0 | 27440402 |
| eCl@ss 9.0 | 27440402 |

ETIM

| | |
|----------|----------|
| ETIM 3.0 | EC001121 |
| ETIM 4.0 | EC002637 |
| ETIM 5.0 | EC002637 |

UNSPSC

| | |
|---------------|----------|
| UNSPSC 6.01 | 30211810 |
| UNSPSC 7.0901 | 39121409 |
| UNSPSC 11 | 39121409 |

Printed-circuit board connector - CCVA 2,5/ 6-G-5,08 P26THRR56 - 1956001

Classifications

UNSPSC

| | |
|--------------|----------|
| UNSPSC 12.01 | 39121409 |
| UNSPSC 13.2 | 39121409 |

Approvals

Approvals

Approvals

EAC / IEC EE CB Scheme / cULus Recognized

Ex Approvals

Approvals submitted

Approval details

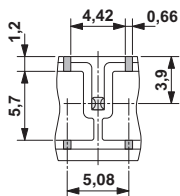
EAC

IECEE CB Scheme

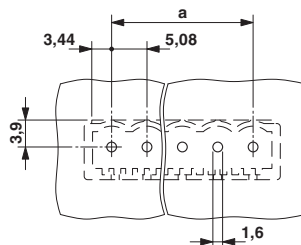
cULus Recognized

Drawings

Dimensional drawing



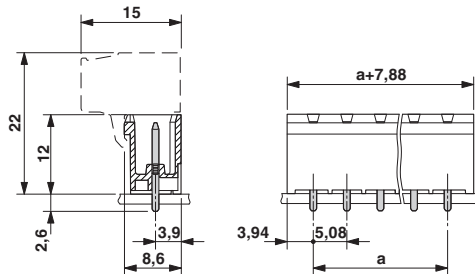
Drilling diagram



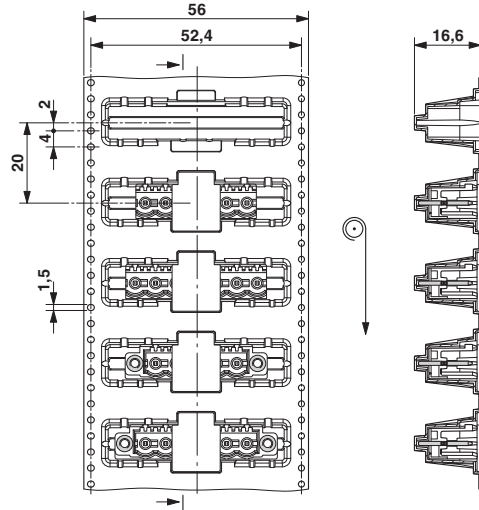
Bottom view, free space for solder paste, 0.55 mm deep

Printed-circuit board connector - CCVA 2,5/ 6-G-5,08 P26THRR56 - 1956001

Dimensional drawing



Dimensional drawing



Direction of the arrow = feeding direction

Phoenix Contact 2016 © - all rights reserved
<http://www.phoenixcontact.com>

PHOENIX CONTACT GmbH & Co. KG
Flachsmarktstr. 8
32825 Blomberg
Germany
Tel. +49 5235 300
Fax +49 5235 3 41200
<http://www.phoenixcontact.com>

Below is a list of articles with direct links to our shop Electric Automation Network where you can see:

- Quote per purchase volume in real time.
- Online documentation and datasheets of all products.
- Estimated delivery time enquiry in real time.
- Logistics systems for the shipment of materials almost anywhere in the world.
- Purchasing management, order record and tracking of shipments.

To access the product, [click on the green button.](#)

| Product | Code | Reference | Product link |
|---|---------|---------------------------------|----------------------------|
| Header, Nominal current: 12 A, Rated voltage (III/2): 320 V, Number of positions: 6, Pitch: 5.08 mm, Color: black, Contact surface: Tin, Mounting: SMD/THT/THR, User information and design recommendations for through hole reflow technology can be found under "Downloads" | 1956001 | CCVA 2,5/ 6-G-5,08 P26THRR56 | Buy on EAN |